

Drawing Index

These sheets are a document set and should not be separated. Electrical information and references are contained on all sheets.

SITE READINESS	C1
EQUIPMENT LAYOUT (Equipment locations, heat loads, component weights, environmental specs)	A1
STRUCTURAL LAYOUT (Structural support/mounting locations for floor/wall/ceiling, wall support elevations)	S1
STRUCTURAL DETAILS (Floor and Ceiling loading information)	S2
ELECTRICAL LAYOUT (Contractor supplied wiring, interconnect methods, junction point locations and descriptions)	E1
ELECTRICAL SPECIFICATIONS (Maximum wiring run lengths, interconnect diagram, system power specifications)	E2
ELECTRICAL DETAILS	E3
EQUIPMENT DETAILS	D1 THRU D2

These drawings indicate the placement and interconnection of the listed equipment components. These drawings are not construction or site preparation drawings. Customer remains ultimately responsible for preparing the site to accommodate the operation of such equipment in compliance with GE Healthcare's written specifications and all applicable federal, state, and/or local requirements.

* REQUIRED REFERENCE *

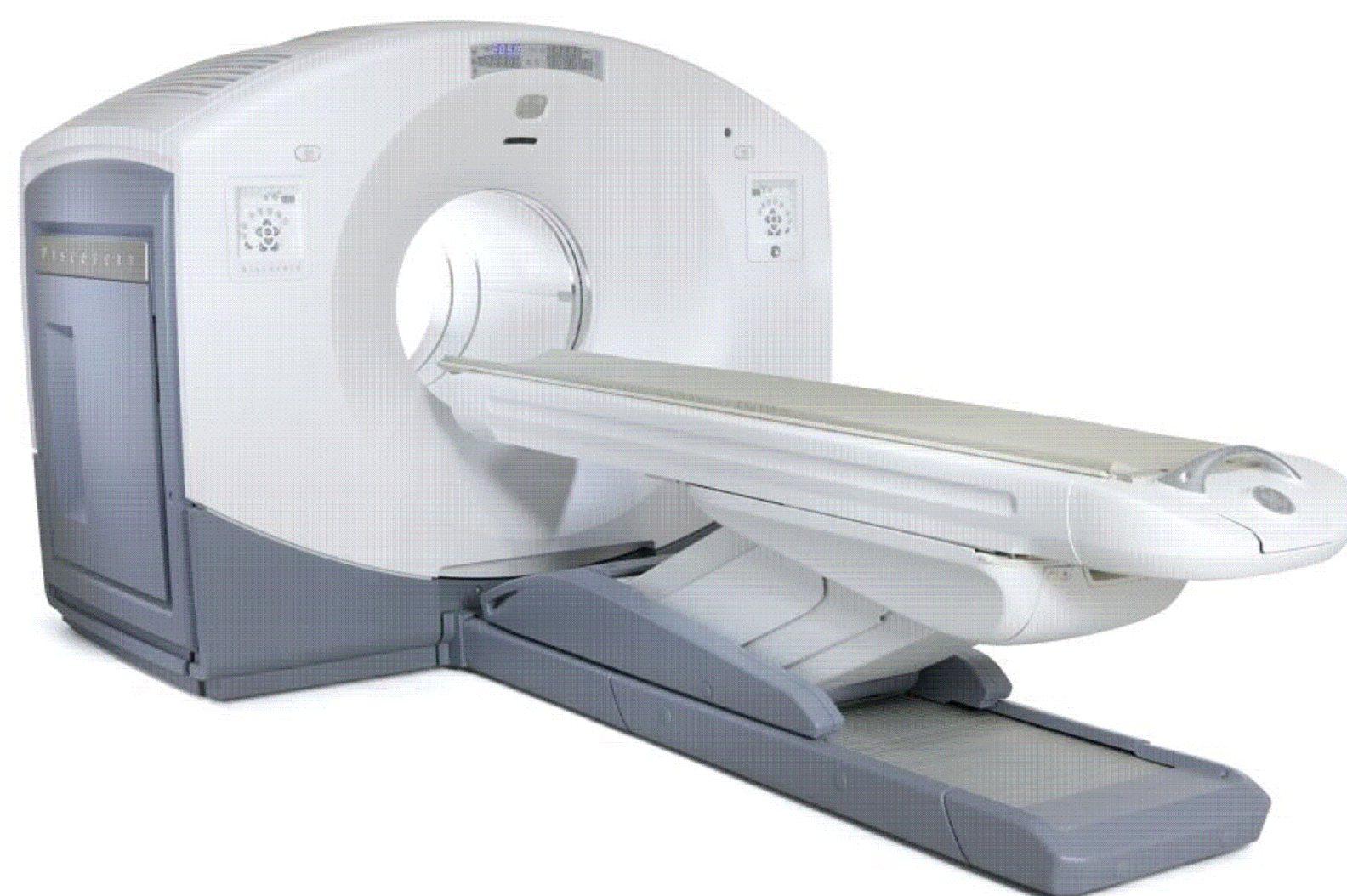
Discovery PET-CT 600
Pre Installation Manual
5266541-1EN

A mandatory component of this drawing set is the GE Healthcare Pre Installation manual. Failure to reference the Pre Installation manual will result in incomplete documentation required for site design and preparation.

Pre Installation documents for GE Healthcare products can be accessed on the web at:

www.gehealthcare.com/siteplanning

GE Healthcare



PET-CT Site Planning



imagination at work

Customer Site Readiness Requirements

- Any deviation from these drawings must be communicated in writing to and reviewed by your local GE Healthcare Installation Project Manager prior to making changes.
- Make arrangements for any rigging, special handling, or facility modifications that must be made to deliver the equipment to the installation site. If desired, your local GE Healthcare Installation Project Manager can supply a reference list of rigging contractors.
- New construction requires the following; 1. Secure area for equipment, 2. Power for drills and other test equipment, 3. Capability for image analysis, 4. Restrooms.
- Provide for refuse removal and disposal (e.g. crates, cartons, packing)
- Contact a radiation physicist or consultant to specify radiation containment requirements.

GE Equipment Delivery Requirements

The items on the GE Healthcare Site Readiness Checklist are REQUIRED to facilitate equipment delivery to the IS site. Equipment will not be delivered if these requirements are not satisfied.

GE Healthcare Site Readiness Checklist Rev 19				
Before using this document ensure you have the latest Rev from MyWorkshop on D000422752				
GEHC Global Order #:		Customer:		
GEHC PMI:		FE / Installer:		
The customer is responsible for proper site preparation regardless of any GEHC measurements/inspections/assessments.				
Inspection Date:	Storage is item ready?	PMI is item ready?	FE is item ready?	Comments
1				MR Magnet Delivery Requirements: Ensure cryogen venting system is available for magnet connection as defined by GEHC Pre-Installation Manual (PIM) requirements; exhaust fan system is installed and operational, 480V power, and chilled water supply is available 24x7 that meets system cooling requirements. External connectivity is available for magnet monitoring and phone service is available during delivery. Surface mount vibromat installed where required. Magnet room final flooring is in place.
2				MR RF Screen Room Requirements: RF Screen Room is tested with copy of Test Report, emailed to ISAdminCOEMB@ge.com, that it is compliant with GEHC specifications. Dock Bolt and magnet anchors (if applicable) installed using 2 part anchor. For HDx systems, blower box mount bolts installed by RF vendor using 2 part anchors
3				State Regulatory Requirements: Facility registration number provided for states of Ill, Ky, HI, RI, SC, TX, X-ray shielding plan and state acknowledgment letter provided to installer for AR, DC, NC, SC, CO & WA. Site Drawing Requirements: Final version of equipment network and antenna, installation drawings (including red lined versions) verified to match actual room and has been provided to installer.
4				Surface Penetration Requirements: Customer/Contractor scheduled to provide required drilling or cutting into floors, ceilings, and walls; OR surface penetration permit available and posted in the room when GEHC will perform the work.
5				Pre-Delivery Route Requirements: The equipment delivery route from the truck to the final destination within the facility has been reviewed with all key stakeholders to safely meet the minimum requirements for equipment access, and all communications/notifications have occurred. Arrangements have been made for special handling (elevator, rigging, floor protection, fork lift, rollback truck, etc).
6				Finished Room Requirements: Rooms that will contain equipment, including storage areas not in scan suite, are dust free. Provisions taken to maintain a dust free room. Precautions must be taken to prevent dust from entering rooms containing equipment when construction is incomplete in adjacent areas. All walls/principled final coat not needed on Day 11. Shielding, doors, and windows are to be installed. No contractor work being done during or after the installation that will cause dust in the installation areas or potential equipment damage. Room security to prevent unauthorized access and theft has been discussed with customer. The customer is aware of these security issues, implications and responsibility. For Storage: Room must meet PIM requirements for storage.
7				Electrical Requirements: Lockable (LTO) Main Disconnect Panel (MDP) is installed per GE guidelines and system power is available. Conduits, electrical cable ducting/dividers/cable trays, and access flooring is installed in proper location and height. Surface floor duct and load-side wires can be installed at time of system installation. Validate outlet location and requirements meet specifications for device/equipment.
8				HVAC Requirements: The HVAC/Chilled Water systems designed to maintain the environment per spec/PIM is at running state and appears to provide the desired environmental conditions including location of vents, temperature and humidity for system operation.
9				Flooring Requirements: Floor is clean and prepared for final floor covering. Floor levelness/flatness is measured and within tolerance, and there are no visible defects per GEHC specifications. Confirm customer anchoring plan, aligns with designed floor thickness. Final flooring installed where required for network racks.
10				Ceiling Requirements: Unistrut (or equivalent) location, levelness and spacing is measured for vendor confirmed; and consistent with the requirement of the installation drawings. Ensure Unistrut and rails are not used as mounting surfaces. Ceiling grid is installed. Permanent lighting is installed and operational. HVAC diffusers are installed and connected to ductwork. Ceiling tiles installed per PMI discretion.

GE Healthcare
Healthcare Project Implementation - Design Center
Minneapolis, MN
Copyright © 2009 General Electric Company - Proprietary to GE

SHEET TITLE: **SITE READINESS**
MODALITY TYPE: **DISCOVERY PET/CT 600**
THIS PLAN IS SUBMITTED TO SURVEY LOCATION OF GE HEALTHCARE EQUIPMENT AND ASSOCIATED ELECTRICAL WIRING DETAILS AND ROOM ARRANGEMENTS. IN PREPARING THIS PLAN, EVERY EFFORT HAS BEEN MADE TO CONFORM DETAILS TO THE PROJECT'S REQUIREMENTS. GE HEALTHCARE DOES NOT ACCEPT LIABILITY FOR ANY CONSTRUCTION ERRORS, OMISSIONS, OR DAMAGES RESULTING THEREFROM.

PROJECT TITLE:
12-18F
TYPICAL LAYOUT

PROJECT	REVISION
12-18f	08
DATE:	06 Jun. 16
DRAWN BY:	DMH
CHECKED BY:	REK

REVISION HISTORY:

SHEET
C1

PIM R13
RQ - 161094

GE EQUIPMENT LISTING

EQUIPMENT ON ORDER FROM GE HEALTHCARE, INSTALLED BY GE HEALTHCARE, PER : NEITHER A QUOTE OR CON WAS ISSUED AT THE DATE OF THESE DRAWINGS		EQUIPMENT CROSS REFERENCE CHART		SEISMIC STATUS		P = PREAPPROVAL C = CALCULATIONS/ PENDING APPROVAL S = SPECIFICATIONS ONLY		
ITEM NO.	QUANTITY ORDERED	REFER TO SHEET "D"	ITEM DESCRIPTION (* = EXISTING/REINSTALL)	WEIGHT	HEAT OUTPUT (PER HOUR)	DETAIL NO.	STRC PLAN	ELEC PLAN
1	1		POWER DISTRIBUTION UNIT	822 lbs	3399 btu	P5057F	-	PDU C
2	1		PARC	701 lbs	7505 btu	KH2008	0	PARC -
3	1		DISCOVERY PET/CT 600	8529 lbs	24744 btu	B7816G P5057D P5057E B6090A B6090B B6090C B6090D B6090J	-	CTPT S
4	1		PATIENT TABLE W/500 LB PATIENT	2312 lbs	1023 btu		-	S
5	1		STORAGE CABINET (EMPTY CABINET WEIGHT)	99 lbs		M33005	-	-
6	1		FREEDOM WORKSPACE LARGE TABLE	147 lbs	8191 btu	BB105 BB107	-	DC S
7	1		T. I. D. CABINET	194 lbs			-	S
8	1		OPERATOR'S CHAIR				-	I
9	1		UPS SYSTEM	619 lbs	5122 btu	B7864PZ	-	UPS

THE FOLLOWING ITEMS, WHICH HAVE BEEN ORDERED FROM GE HEALTHCARE, ARE TO BE INSTALLED BY THE CUSTOMER OR HIS CONTRACTOR.

SCALE: 1/4" = 1'-0"

EQUIPMENT LAYOUT

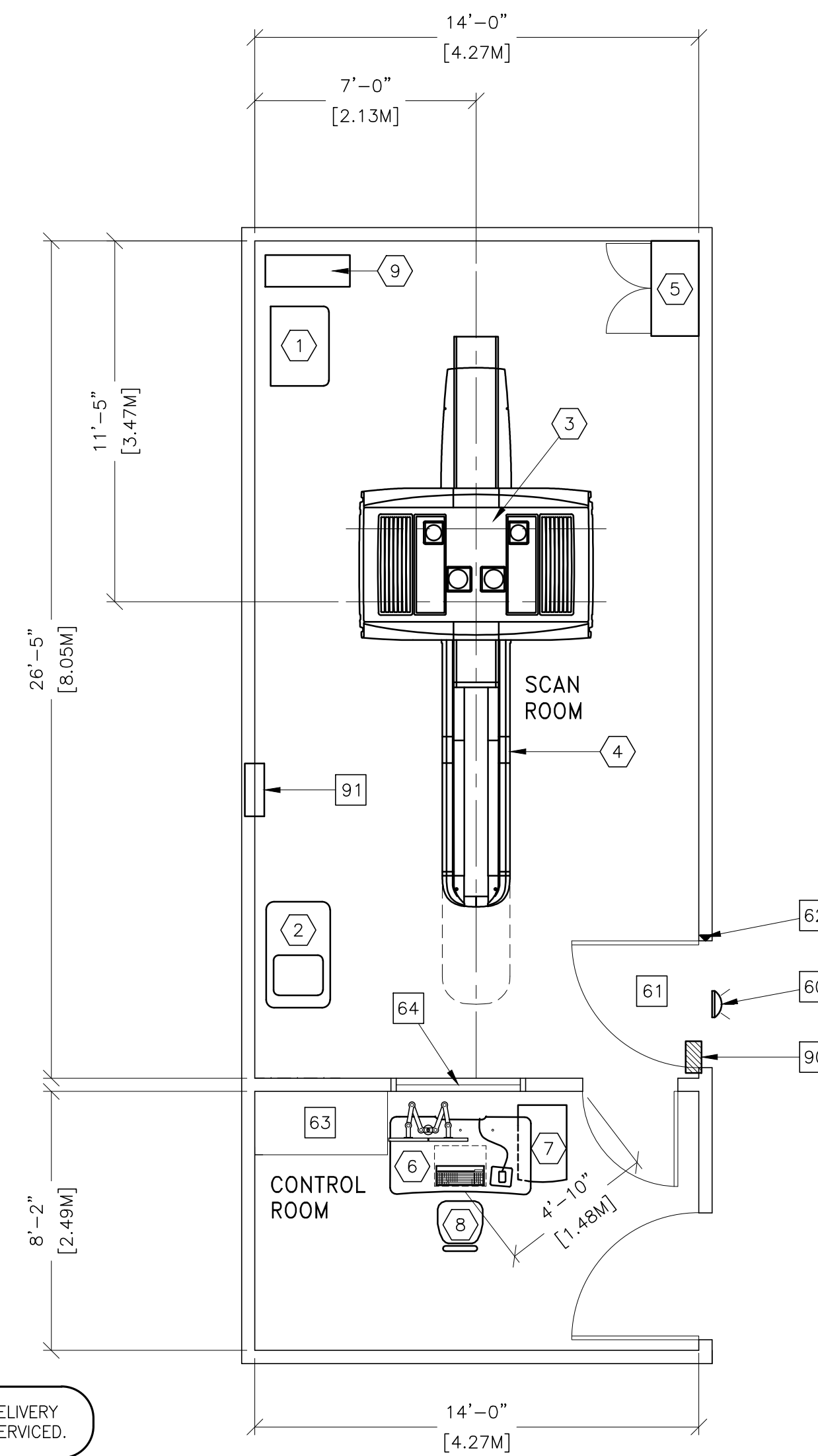
RECOMMENDED CEILING HEIGHT = 9'-0"

This equipment layout indicates the placement and interconnection of the indicated equipment components. There may be federal, state, and/or local requirements that could impact the placement of these components. It remains the Customer's responsibility for ensuring the site and final equipment placement complies with all applicable federal, state, and/or local requirements.

IMPORTANT CUSTOMER READINESS ALERT:

THIS EQUIPMENT INVOLVES THE USE OF RADIOACTIVE ISOTOPES, INCLUDING THOSE SOURCES NECESSARY FOR EQUIPMENT CALIBRATION. APPROPRIATE REGULATORY COMPLIANCE AND LICENSING MUST BE ARRANGED BY THE CUSTOMER EARLY IN THE PLANNING PROCESS AND THEN DEMONSTRATED/AVAILABLE FOR EQUIPMENT INSTALLATION.

NOTE: DELIVERY PATH DOWN CORRIDORS FOR GANTRY'S AND TABLE MUST BE EVALUATED PRIOR TO CONSTRUCTION, AS 90 DEGREE TURNS REQUIRE SPECIFIC CORRIDOR WIDTH.



NOTE: THE PARC CABINET MUST STAY ON DELIVERY WHEELS TO ALLOW THE EQUIPMENT TO BE SERVICED.

ANCILLARY ITEMS
CUSTOMER/CONTRACTOR SUPPLIED AND INSTALLED ITEMS

ITEM NO.	ITEM DESCRIPTION (* INDICATES EXISTING)
60	X-RAY ON WARNING LIGHT - AVAILABLE FROM GE SUPPLY CALL: 800-200-9760 GE CAT. NO. VX1ABWW-DF-XIU
61	MINIMUM DOOR OPENING FOR EQUIPMENT DELIVERY IS 48 IN. W X 71 IN. H (1267mm X 1803mm). CONTINGENT ON A 96 IN. (2438mm) CORRIDOR WIDTH
62	DOOR LIMIT SWITCH (REQUIRED IN SOUTH CAROLINA, OTHERWISE NEEDED ONLY IF REQUIRED BY STATE/LOCAL CODES)
63	COUNTER TOP FOR EQUIPMENT-MINIMUM DEPTH 24 IN. OR ADDITIONAL SHELVING MAY BE REQUIRED
64	PROVIDE GROMMETTED OPENINGS AS REQUIRED TO ROUTE INTERCONNECT CABLES TO RACEWAY BELOW COUNTERTOP. LEAD GLASS WINDOW

THE FOLLOWING ITEMS ARE AVAILABLE FROM GE HEALTHCARE TECHNOLOGIES. CONTACT YOUR LOCAL GE HEALTHCARE SERVICE REPRESENTATIVE FOR PRICING AND AVAILABILITY.

90	E4502RL WARNING LIGHT CONTROL OR EQUIVALENT MAX 24V CONTROLLER.
91	MAIN DISCONNECT CONTROL GEMS CAT. NO. E4502AB (SEE DETAIL E4502AB. IF A UPS SYSTEM IS NOT ORDERED, THE E4502AB CAN BE USED.)

GENERAL SPECIFICATIONS

- THE REQUIRED CEILING HEIGHT INDICATED ON THESE PLANS IS TO ENSURE EQUIPMENT FUNCTION IS NOT INHIBITED. CONSULT WITH YOUR LOCAL GEHC SPECIALIST REGARDING ACCEPTABILITY OF OTHER CEILING HEIGHTS.
- CHECK ALL DOOR OPENINGS AND HALLWAYS FROM DELIVERY LOCATION TO WHERE EQUIPMENT IS TO BE INSTALLED TO ENSURE THE ROUTE PHYSICALLY AND STRUCTURALLY WILL ACCOMMODATE THE EQUIPMENT AS SHIPPED.
- RADIATION PROTECTION REQUIREMENTS ARE NOT INDICATED ON THIS PLAN. WHERE NEEDED PER NATIONAL OR LOCAL CODE THEY SHALL BE SPECIFIED BY A QUALIFIED RADIOLOGICAL PHYSICIST.
- THE DEVELOPMENT OF THE EQUIPMENT LAYOUT, ROOM DIMENSIONS, MECHANICAL AND ELECTRICAL SUGGESTIONS IS PREDICATED UPON THE BEST INFORMATION OBTAINABLE FROM THE SITE, COUPLED WITH THE CUSTOMER'S KNOWN DESIRES. ARCHITECTURAL OR ELECTRICAL CHANGES INCLUDING RELOCATION OF EQUIPMENT ILLUSTRATED ON THIS DRAWING IS ALLOWED ONLY WITH NOTIFICATION, IN WRITING, AND REVIEW BY GEHC SERVICE DEPARTMENT. EQUIPMENT OPERATION, SERVICEABILITY, AND RESTRICTING CABLE LENGTHS, ETC., MAKE THIS ESSENTIAL FOR A PROPER INSTALLATION. GEHC RESERVES THE RIGHT TO MAKE ON THE JOB CHANGES BECAUSE OF CUSTOMER REQUIREMENTS AND/OR OBSTACLES IN CONSTRUCTION, ETC..
- ALL WORK TO BE IN COMPLIANCE WITH NATIONAL AND LOCAL BUILDING SAFETY CODES.
- DIMENSIONS ARE TO FINISHED SURFACES OF ROOM

SITE ENVIRONMENT SPECIFICATIONS

- AMBIENT OPERATING TEMPERATURE: 64° F TO 79° F, (18° C TO 26° C)
- HUMIDITY: 30 TO 60 PERCENT NON-CONDENSING, STATIC CHARGES ASSOCIATED WITH LOWER HUMIDITY LEVELS MAY INTERFERE WITH SYSTEM OPERATION.
- ALTITUDE: NOT TO EXCEED 7,875 FT. (2400M) ABOVE SEA LEVEL.
- DO NOT RESTRICT THE AIR INTAKE OR AIR EXHAUST OF THE SYSTEM COMPONENTS.
- ENVIRONMENTAL CONDITIONS LISTED ABOVE MUST BE MAINTAINED AT ALL TIMES INCLUDING FOR EXAMPLE, OVERNIGHT, WEEKENDS, AND HOLIDAYS.
- BACKGROUND RADIATION SHOULD BE KEPT TO A MINIMUM. RADIOACTIVE SOURCES MUST BE KEPT IN SHIELDED CONTAINERS AND THE EXAMINATION ROOM SHIELDED FROM EXTERNAL SOURCES.
- DO NOT PLACE PET EQUIPMENT NEAR REGISTERS, WINDOWS OR OTHER COMPONENTS THAT COULD AFFECT TEMPERATURE LEVEL CHANGES IN THE PET EQUIPMENT VICINITY.

MAGNETIC INTERFERENCE SPECIFICATIONS

SCANNER MUST BE LOCATED IN AMBIENT STATIC MAGNETIC FIELDS OF LESS THAN 1.0 GAUSS TO GUARANTEE SPECIFIED IMAGING PERFORMANCE.
COMPUTER EQUIPMENT MUST BE LOCATED IN AMBIENT STATIC MAGNETIC FIELDS OF LESS THAN 10 GAUSS TO GUARANTEE DATA INTEGRITY.
DIAGNOSTIC CONSOLE MUST BE LOCATED IN AMBIENT STATIC MAGNETIC FIELDS OF LESS THAN 1 GAUSS TO OBTAIN SPECIFIED GEOMETRIC LINEARITY.

GE Healthcare
Healthcare Project Implementation - Design Center
Milwaukee, WI

SHEET TITLE: EQUIPMENT LAYOUT
MODALITY TYPE: DISCOVERY PET/CT 600
THIS PLAN IS SUBMITTED TO SURVEY LOCATION OF GE HEALTHCARE EQUIPMENT AND ASSOCIATED ELECTRICAL WIRING DETAILS AND ROOM ARRANGEMENTS. IN PREPARING THIS PLAN, EVERY EFFORT HAS BEEN MADE TO CONFORM DETAILS TO THE LATEST GEHC CONSTRUCTION PRACTICES AND THE COMPANY CANNOT ACCEPT RESPONSIBILITY FOR ANY DAMAGES RESULTING THEREFROM.

PROJECT TITLE:
12-18F
TYPICAL LAYOUT

PROJECT	REVISION
12-18f	08
DATE:	06 Jun. 16
DRAWN BY:	DMH
CHECKED BY:	REK

REVISION HISTORY:

SHEET
A1

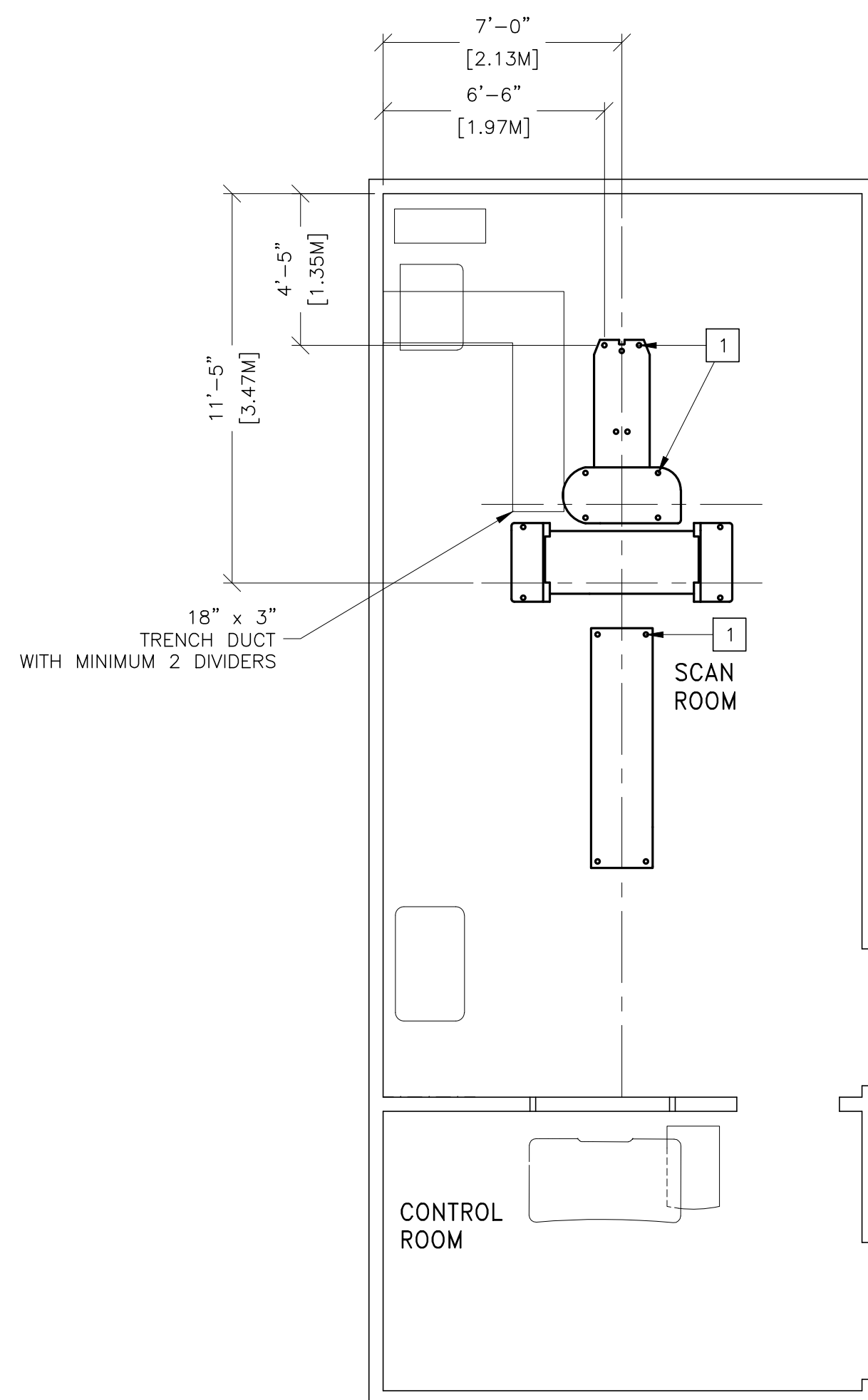
PIM R13
RQ - 161094

TYPICAL WALL SUPPORT ELEVATIONS

SCALE: 1/4" = 1'-0"

STRUCTURAL LAYOUT

RECOMMENDED CEILING HEIGHT = 9'-0"



STRUCTURAL SUPPORT METHODS
CUSTOMER/CONTRACTOR SUPPLIED AND INSTALLED ITEMS

ITEM NO.	ITEM DESCRIPTION (* INDICATES EXISTING)
1	FLOOR CONTACT AREA FOR DISCOVERY PET/CT 600 GANTRY AND PATIENT TABLE. SEE DETAIL P5058A ON SHEET S2 FOR MORE INFORMATION.

STRUCTURAL NOTES

- METHODS OF SUPPORT FOR THE STEELWORK THAT WILL PERMIT ATTACHMENT TO STRUCTURAL STEEL OR THROUGH BOLTS IN CONCRETE CONSTRUCTION SHOULD BE FAVORED. DO NOT USE CONCRETE OR MASONRY ANCHORS IN DIRECT TENSION.
- ALL UNITS THAT ARE WALL MOUNTED OR WALL SUPPORTED ARE TO BE PROVIDED WITH SUPPORTS WHERE NECESSARY. WALL SUPPORTS ARE TO BE SUPPLIED AND INSTALLED BY THE CUSTOMER OR HIS CONTRACTORS. SEE PLAN AND DETAIL SHEETS FOR SUGGESTED LOCATIONS AND MOUNTING HOLE LOCATIONS.
- ALL CEILING MOUNTED FIXTURES, AIR VENTS, SPRINKLERS, ETC. TO BE FLUSH MOUNTED, OR SHALL NOT EXTEND MORE THAN 6.35mm (1/4") BELOW THE FINISHED CEILING.
- FLOOR SLABS ON WHICH EQUIPMENT IS TO BE INSTALLED MUST BE LEVEL TO 6.00mm (1/4") IN 3050mm (10'-0").
- DIMENSIONS ARE TO FINISHED SURFACES OF ROOM.
- CUSTOMERS CONTRACTOR MUST PROVIDE ALL PENETRATIONS IN POST TENSION FLOORS.
- CUSTOMERS CONTRACTOR MUST PROVIDE AND INSTALL ANY NON-STANDARD ANCHORING. DOCUMENTS FOR STANDARD ANCHORING METHODS ARE INCLUDED WITH GE EQUIPMENT DRAWINGS FOR GEOGRAPHIC AREAS THAT REQUIRE SUCH DOCUMENTATION.
- CUSTOMERS CONTRACTOR MUST PROVIDE AND INSTALL HARDWARE FOR "THROUGH THE FLOOR" ANCHORING AND/OR ANY BRACING UNDER ACCESS FLOORS. THIS CONTRACTOR MUST ALSO PROVIDE FLOOR DRILLING THAT CANNOT BE COMPLETED BECAUSE OF AN OBSTRUCTION ENCOUNTERED WHILE DRILLING BY THE GE INSTALLER SUCH AS REBAR ETC.
- IT IS THE CUSTOMER'S RESPONSIBILITY TO PERFORM ANY FLOOR OR WALL PENETRATIONS THAT MAY BE REQUIRED. THE CUSTOMER IS ALSO RESPONSIBLE FOR ENSURING THAT NO SUBSURFACE UTILITIES (E.G., ELECTRICAL OR ANY OTHER FORM OF WIRING, CONDUITS, PIPING, DUCT WORK OR STRUCTURAL SUPPORTS (I.E. POST TENSION CABLES OR REBAR)) WILL INTERFERE OR COME IN CONTACT WITH SUBSURFACE PENETRATION OPERATIONS (E.G. DRILLING AND INSTALLATION OF ANCHORS/SCREWS) PERFORMED DURING THE INSTALLATION PROCESS. TO ENSURE WORKER SAFETY, GE INSTALLERS WILL PERFORM SURFACE PENETRATION OPERATIONS ONLY AFTER THE CUSTOMER'S VALIDATION AND COMPLETION OF THE "GE SURFACE PENETRATION PERMIT"

GE Healthcare
Healthcare Project Implementation - Design Center
Milwaukee, Wisconsin

SHEET TITLE: **STRUCTURAL LAYOUT**
MODALITY TYPE: **DISCOVERY PET/CT 600**
THIS PLAN IS SUBMITTED TO SURVEY LOCATION OF GE HEALTHCARE EQUIPMENT AND ASSOCIATED APPARATUS, ELECTRICAL WIRING DETAILS AND ROOM ARRANGEMENTS. IN PREPARING THIS PLAN, EVERY EFFORT HAS BEEN MADE TO CONFORM DETAILS TO THE PROJECT'S REQUIREMENTS. THE USER OF THIS PLAN SHALL BE RESPONSIBLE FOR VERIFYING THE LOCATION OF ALL UTILITIES AND THE COMPANY CANNOT ACCEPT RESPONSIBILITY FOR ANY DAMAGES RESULTING THEREFROM.

PROJECT TITLE:
12-18F
TYPICAL LAYOUT

PROJECT	REVISION
12-18f	08
DATE:	06Jun.16
DRAWN BY:	DMH
CHECKED BY:	REK

REVISION HISTORY:

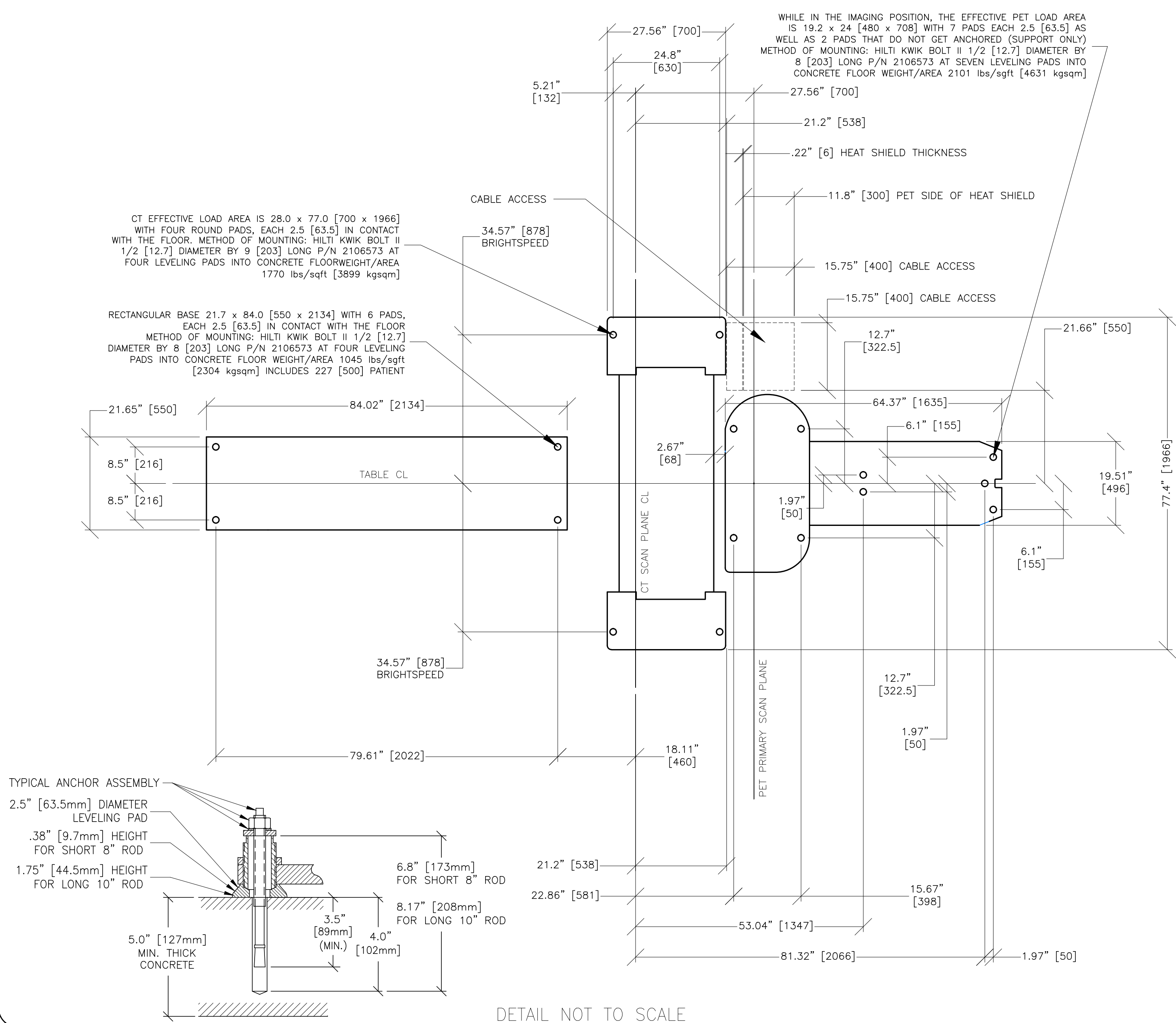
SHEET
S1

PIM R13
RQ - 161094

FLOOR MOUNTING DETAIL: PET/CT 560/600/690 ELITE INSTALLATION METHODS

P5058A

(REV. DATE 27.Oct.11)



PROJECT	REVISION
12-18f	08
DATE:	06 Jun. 16
DRAWN BY:	DMH
CHECKED BY:	REK

REVISION HISTORY:

SCALE: 1/4" = 1'-0"

ELECTRICAL PLAN

RECOMMENDED CEILING HEIGHT = 9'-0"

JUNCTION POINT DESCRIPTIONS

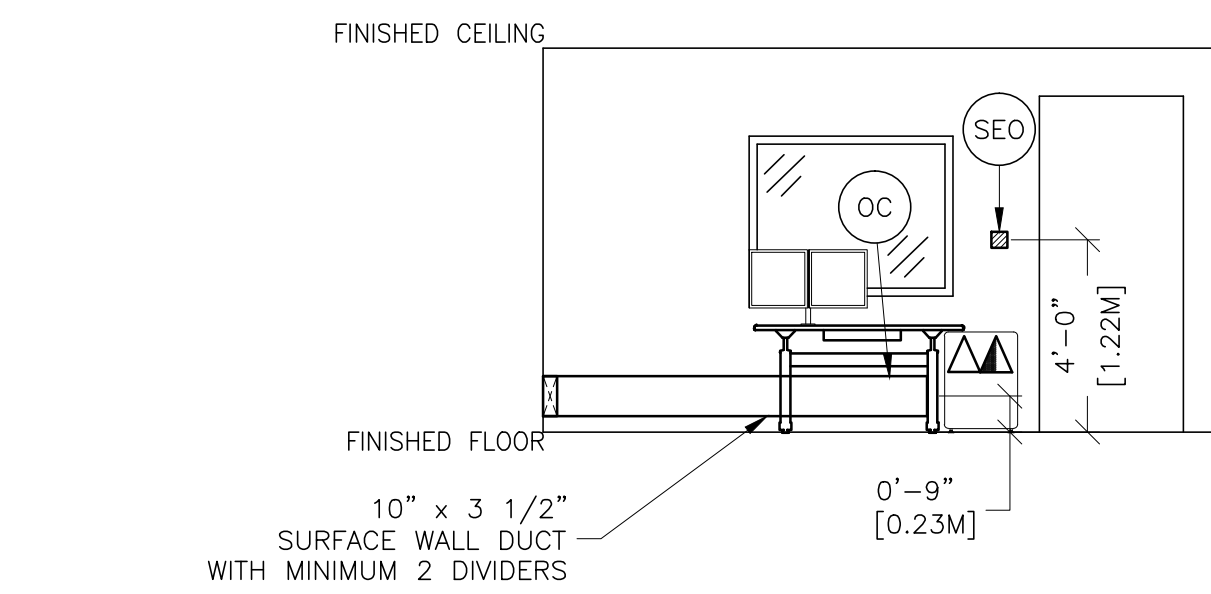
ELECTRICAL OUTLET LEGEND
 CUSTOMER/CONTRACTOR SUPPLIED AND INSTALLED ITEMS. HEIGHT ABOVE FLOOR DETERMINED BY LOCAL CODES UNLESS OTHERWISE SPECIFIED.

- ▲ DEDICATED TELEPHONE LINE(S) (SEE ELECTRICAL DETAIL ELEC-1 OR ELEC-67)
- ▲ NETWORK OUTLET (SEE ELECTRICAL DETAILS ELEC-83 AND ELEC-84 OR ELEC-87)

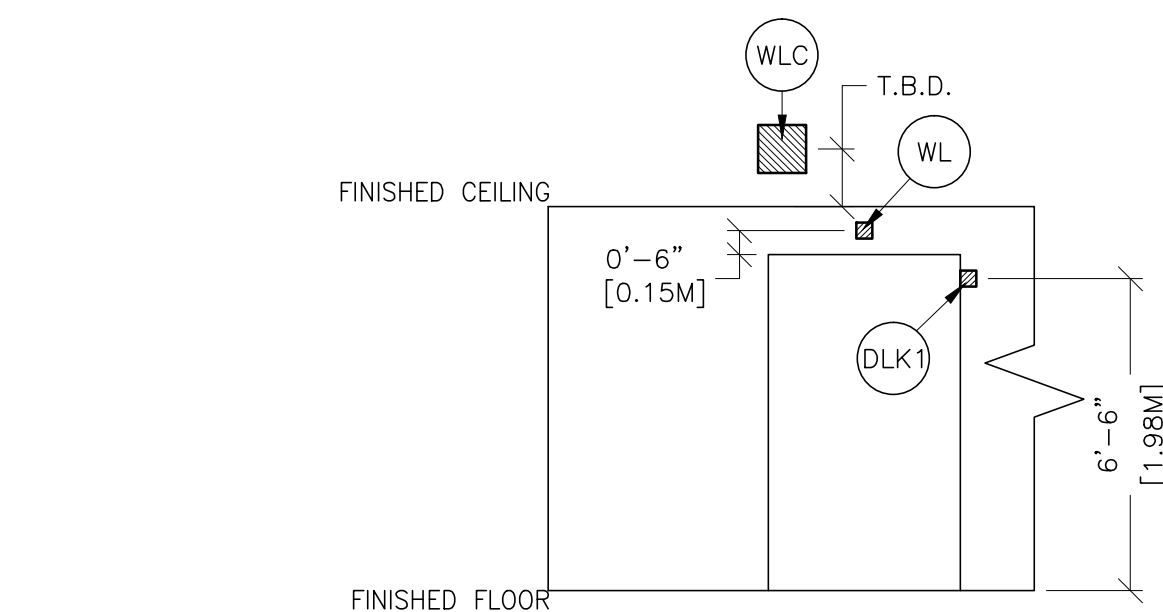
JUNCTION POINT NOTES

- ALL JUNCTION BOXES, CONDUIT, DUCT, DUCT DIVIDERS, SWITCHES, CIRCUIT BREAKERS, ETC., ARE TO BE SUPPLIED AND INSTALLED BY CUSTOMER'S ELECTRICAL CONTRACTOR.
- CONDUIT AND DUCT RUNS SHALL HAVE SWEEP RADIUS BENDS
- CONDUITS AND DUCT ABOVE CEILING OR BELOW FINISHED FLOOR MUST BE INSTALLED AS NEAR TO CEILING OR FLOOR AS POSSIBLE TO REDUCE RUN LENGTH.
- CEILING MOUNTED JUNCTION BOXES ILLUSTRATED ON THIS PLAN MUST BE INSTALLED FLUSH WITH FINISHED CEILING.
- ALL DUCTWORK MUST MEET THE FOLLOWING REQUIREMENTS:
 1. DUCTWORK SHALL BE METAL WITH DIVIDERS AND HAVE REMOVABLE, ACCESSIBLE COVERS.
 2. DUCTWORK SHALL BE CERTIFIED/RATED FOR ELECTRICAL POWER PURPOSES.
 3. DUCTWORK SHALL BE ELECTRICALLY AND MECHANICALLY BONDED TOGETHER IN AN APPROVED MANNER.
 4. PVC AS A SUBSTITUTE MUST BE USED IN ACCORDANCE WITH ALL LOCAL AND NATIONAL CODES.
- ALL OPENINGS IN ACCESS FLOORING ARE TO BE CUT OUT AND FINISHED OFF WITH GROMMET MATERIAL BY THE CUSTOMER'S CONTRACTOR.
- GENERAL CONTRACTOR TO INSERT PULL CORDS FOR ALL CABLE RUN CONDUITS BETWEEN THE EQUIPMENT ROOM AND THE OPERATORS CONTROL ROOM.
- 10 FOOT PIGTAILS AT ALL JUNCTION POINTS.
- ALL WIRING MUST BE THIN OR TFFN STRANDED COPPER THERMOPLASTIC 600 VOLT OR EQUIVALENT INSULATION. **ALUMINUM OR SOLID WIRES ARE NOT ALLOWED.**
- GROUNDING IS CRITICAL TO EQUIPMENT FUNCTION AND PATIENT SAFETY. SITE MUST CONFORM TO WIRING SPECIFICATIONS SHOWN ON THIS PLAN.

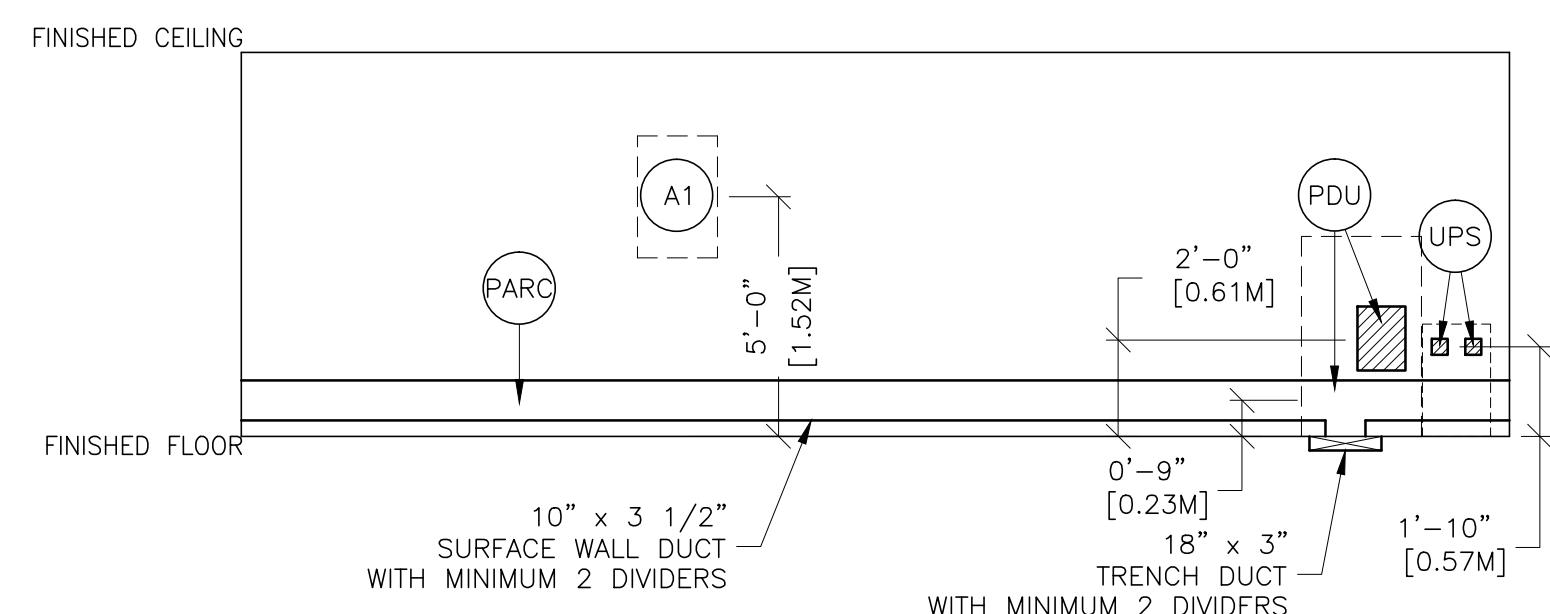
POINT	THE FOLLOWING MATERIALS ARE TO BE SUPPLIED AND INSTALLED BY THE CUSTOMER'S ELECTRICAL CONTRACTOR		
	DESCRIPTION	QTY.	HARDWARE
A1	MAIN DISCONNECT # AVAILABLE FROM GEHC CALL 800-279-7525 OR LOCAL GE INSTALLATION PROJECT MGR.	1	90 AMP FUSED DISCONNECT AND MAGNETIC CONTACTOR GEMS CAT. NO. E4502AB 7" SED PUSHBUTTON AND COVER INCLUDED
CTPT	CT-PET SCANNER	2	2 1/2 IN. DIA. BUSHING & LOCKNUT 3/8 IN. DIA. BUSHING & LOCKNUT
DLK1	DOOR SWITCH (NEEDED ONLY IF REQUIRED BY STATE/LOCAL CODES)	1	ROOM DOOR INTERLOCK LIMIT SWITCH 1" IN FRAME - NORMALLY OPEN (24V) SINGLE GANG BOX
OC	OPERATORS CONSOLE	1	12 IN. OF GROMMET MATERIAL FOR A 3 X 3 IN. OPENING IN DUCT COVER
PARC	PARC	1	SPLIT COVERPLATE 12 X 3 IN. OPENING IN DUCT COVER 4 800 IN. 90 DEGREE CONNECTOR 16 FT. LENGTH OF 2 IN. FLEXIBLE METAL CONDUIT SUITABLE CONNECTORS 12 X 16 X 4 IN. BOX 16 FT. LENGTH OF 1/2 IN. FLEXIBLE METAL CONDUIT
PDU	POWER DISTRIBUTION UNIT	1	SPLIT COVERPLATE 12 X 3 IN. OPENING IN DUCT COVER 4 800 IN. 90 DEGREE CONNECTOR 16 FT. LENGTH OF 2 IN. FLEXIBLE METAL CONDUIT SUITABLE CONNECTORS 12 X 16 X 4 IN. BOX 16 FT. LENGTH OF 1/2 IN. FLEXIBLE METAL CONDUIT
SED	EMERGENCY OFF	1	SINGLE GANG 2 1/2 IN. DEEP FLUSH MOUNTED JUNCTION BOX.
UPS	UPS CABINET	1	COVERPLATE, CHASE NIPPLE 1 1/2 X 4 X 4 IN. BOX 1 1/2 IN. DIA. CHASE NIPPLE 1 1/2 IN. DIA. BUSHING & LOCKNUT 1 1/2 IN. DIA. CHASE NIPPLE IF OPTIONAL 2 IN. CND IS USED, ADD THE FOLLOWING: 1 4 X 4 X 4 IN. BOX 1 COVERPLATE
WL	WARNING LIGHT	1	COVERPLATE SINGLE GANG BOX X-RAY OR INCANDESCENT LIGHT FIXTURE - DO NOT USE FLUORESCENT FIXTURES E4502RL WARNING LIGHT 24V CONTROL OR EQUIVALENT.
WLC	WARNING LIGHT CONTROLLER # AVAILABLE FROM GEHC CALL 800-279-7525 OR LOCAL GE INSTALLATION PROJECT MGR.	1	E4500AM WARNING LIGHT CONTROL OR EQUIVALENT MAX 24V CONTROLLER



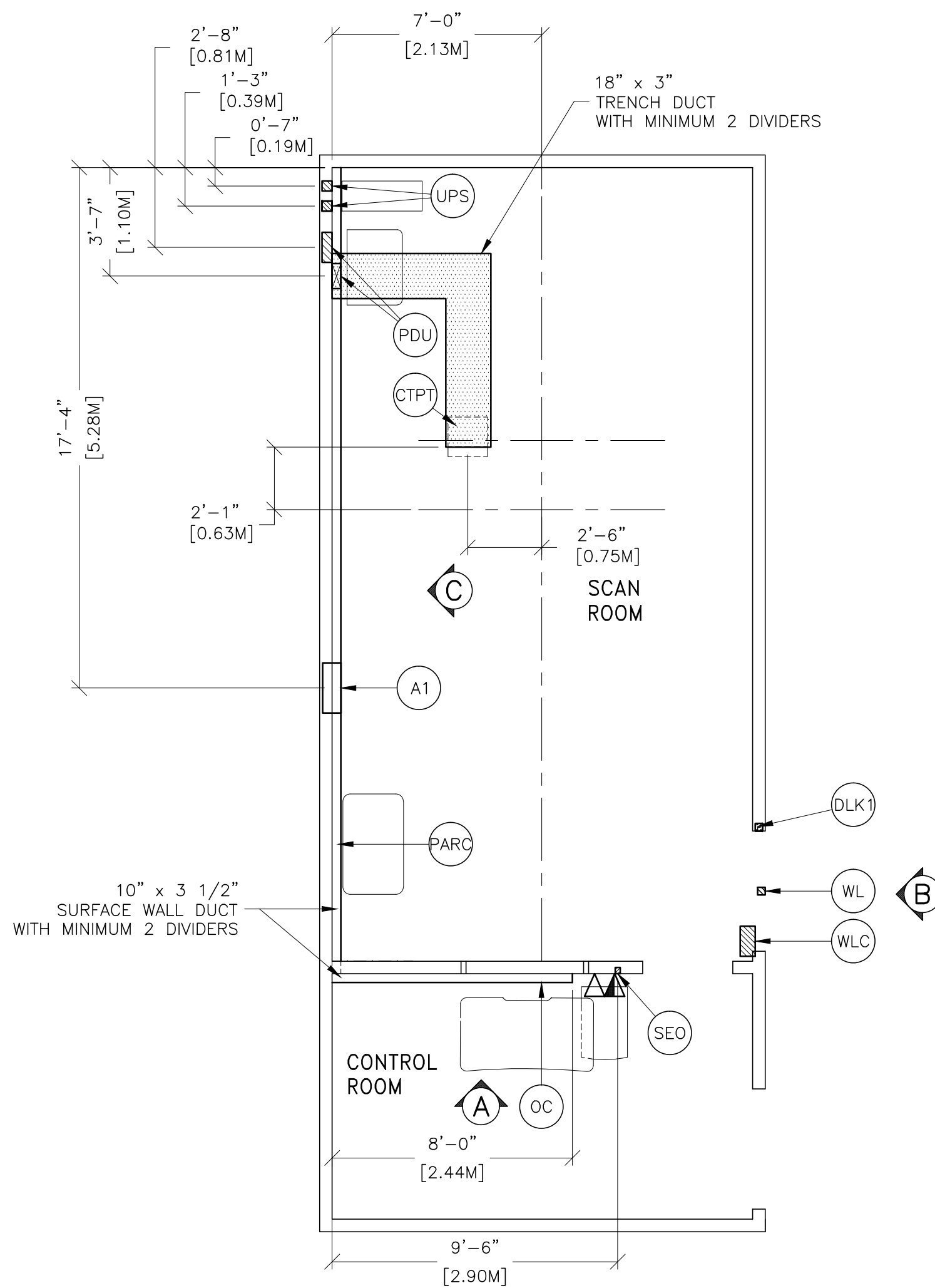
A



B



C



FEEDER TABLE - PET/CT 560/560FX/600/690 ELITE/610/710/Q (16 SLICE)

○ CALCULATIONS BASED UPON NOMINAL VOLTAGE, WIRE SIZE IN AWG.
 ○ RECOMMENDED FEEDER SIZES FROM DISTRIBUTION TRANS. TO POWER DISTRIBUTION UNIT.
 ○ THE GROUNDING CONDUCTOR () WILL BE A 1/0 MINIMUM. THIS GROUND WILL RUN FROM THE EQUIPMENT BACK TO THE POWER SOURCE/MAIN GROUNDING POINT AND ALWAYS TRAVEL IN THE SAME CONDUIT WITH THE FEEDERS AND NEUTRAL.
 ○ NEUTRAL MUST BE TERMINATED PRIOR TO OR INSIDE THE MAIN DISCONNECT PANEL AND NOT BROUGHT INTO THE POWER DISTRIBUTION UNIT.
 ○ FOR A FULL SYSTEM UPS REFER TO ELECTRICAL DETAILS FOR UPS FEEDER WIRES.

RUN LENGTH IN FEET	POWER SUPPLY VOLTAGE							
	342-418 380		360-440 400		378-462 420		396-484 440	
50	2 (1/0)	2 (1/0)	3 (1/0)	3 (1/0)	3 (1/0)	3 (1/0)	3 (1/0)	3 (1/0)
100	2 (1/0)	2 (1/0)	3 (1/0)	3 (1/0)	3 (1/0)	3 (1/0)	3 (1/0)	3 (1/0)
150	2 (1/0)	2 (1/0)	3 (1/0)	3 (1/0)	3 (1/0)	3 (1/0)	3 (1/0)	3 (1/0)
200	2 (1/0)	2 (1/0)	3 (1/0)	3 (1/0)	3 (1/0)	3 (1/0)	3 (1/0)	3 (1/0)
250	1 (1/0)	1 (1/0)	2 (1/0)	2 (1/0)	2 (1/0)	2 (1/0)	2 (1/0)	2 (1/0)
300	1/0 (2/0)	1/0 (1/0)	1 (1/0)	1 (1/0)	1 (1/0)	1 (1/0)	1 (1/0)	1 (1/0)
350	2/0 (2/0)	1/0 (2/0)	1/0 (1/0)	1 (1/0)	1 (1/0)	1 (1/0)	1 (1/0)	1 (1/0)
400	2/0 (2/0)	2/0 (2/0)	1/0 (1/0)	1/0 (1/0)	1/0 (1/0)	1/0 (1/0)	1/0 (1/0)	1 (1/0)

(REV. DATE 25.APR.14)

ADDITIONAL CONDUIT RUNS FOR ALL PET/CT 560, 600, 610 690, 710, VCT, STE, ST & IQ COLUMBIA SYSTEMS

CONDUITS REQUIRED FOR BASE SYSTEM (CONDUITS ARE LOCATED ABOVE CEILING)

TO	FROM	CONDUIT SIZE
WL	TO WLC	ONE 1/2" CND.
WLC	TO PDU	ONE 1/2" CND.
PDU	TO A1	ONE CND. AS REQ'D
A1	TO SEO	ONE 1/2" CND.
A1	TO FEEDER	ONE CND. AS REQ'D
WLC	TO 120-V 1Ø POWER	CND. AS REQ'D
DLK1	TO PDU	ONE 1/2" CND.

NOTE: SEE E2 PAGE FOR MAXIMUM RUN LENGTHS

CONDUITS REQUIRED FOR UPS (CONDUITS ARE LOCATED ABOVE CEILING)

TO	FROM	CONDUIT SIZE
UPS	TO A1	ONE 1 1/4" CND.
UPS	TO PM	ONE 2" CND. (OPTIONAL) RUN DIRECT AS POSSIBLE. 12" MAX. CABLE LENGTH.

CONTRACTOR SUPPLIED AND INSTALLED WIRING

ELECTRICAL CONTRACTOR SHALL RING OUT AND TAG ALL WIRES AT BOTH ENDS.

WIRE RUN, FROM - TO	QUANTITY, WIRE SIZE/COLOR
A1 > SED	1-ND. 14 BLACK, 1-ND. 14 WHITE, 1-ND. 14 GREEN
480-V > A1	3 BLACK, 1 WHITE, 1 GREEN - REFER TO FEEDER TABLE
A1 > PDU	3-BLACK, 1 GREEN - REFER TO FEEDER TABLE
WLC > PDU	1-ND. 14 BLACK, 1-ND. 14 WHITE, 1-ND. 14 GREEN
WLC > 1 PHASE	1-ND. 14 BLACK, 1-ND. 14 WHITE, 1-ND. 14 GREEN
WL > WLC	2-ND. 14 BLACK, 1-ND. 14 RED, 1-ND. 14 WHITE
PDU > DLK1	1-ND. 14 BLACK, 1-ND. 14 WHITE, 1-ND. 14 GREEN

GE Healthcare
 Healthcare Project Implementation - Design Center
 Milwaukee, Wisconsin

SHEET TITLE: ELECTRICAL LAYOUT
 MODALITY TYPE: DISCOVERY PET/CT 600

THIS PLAN IS SUBMITTED TO SURVEY LOCATION OF GE HEALTHCARE EQUIPMENT AND ASSOCIATED ELECTRICAL WIRING DETAILS AND ROOM ARRANGEMENTS. IN PREPARING THIS PLAN, EVERY EFFORT HAS BEEN MADE TO CONFORM DETAILS TO ALL APPLICABLE CODES, REGULATIONS, AND STANDARDS. THE USER OF THIS PLAN ASSUMES ALL RESPONSIBILITY FOR ANY DAMAGES RESULTING THEREFROM.

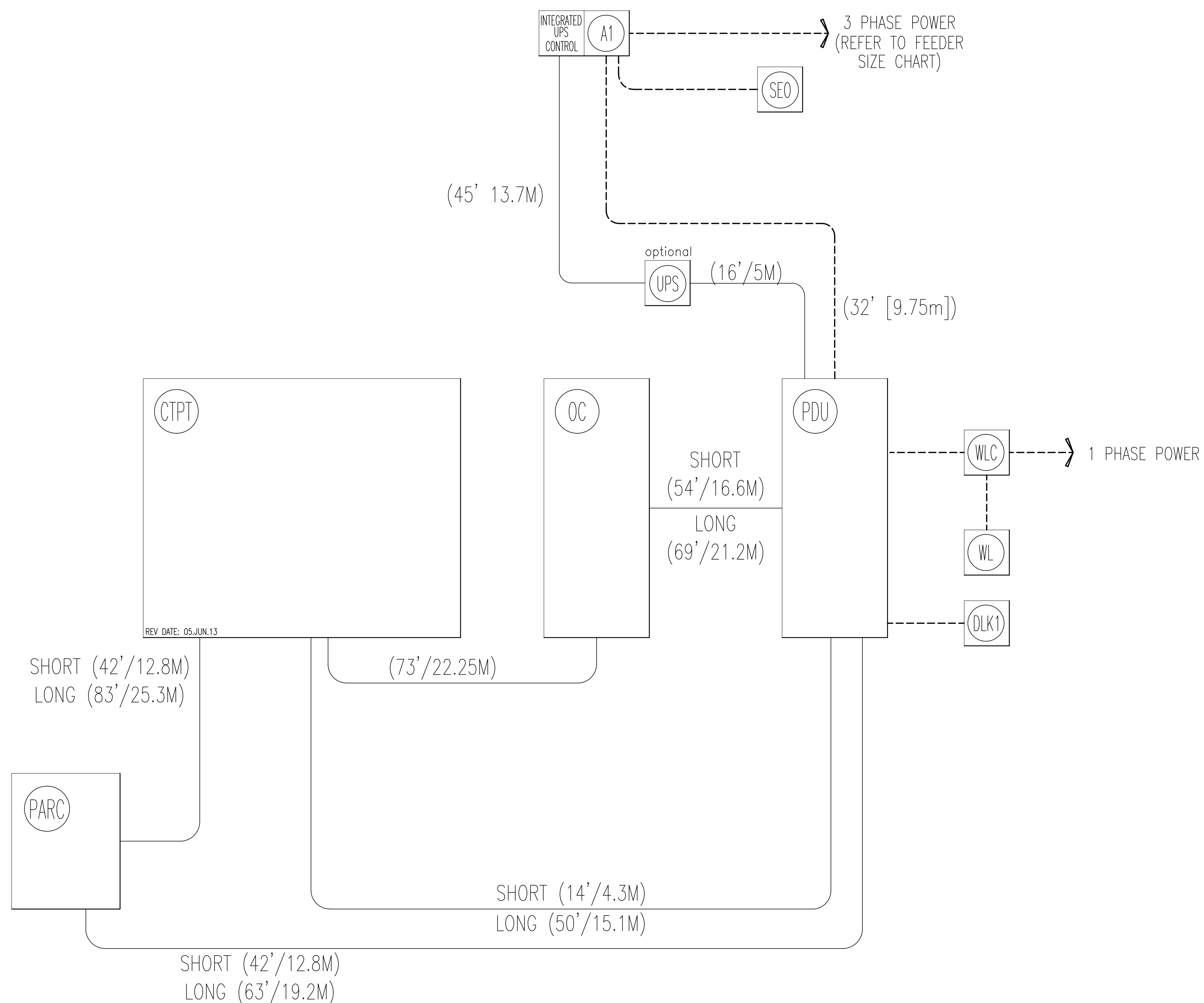
PROJECT TITLE: 12-18F
 TYPICAL LAYOUT

PROJECT: 12-18f
 REVISION: 08
 DATE: 06.Jun.16
 DRAWN BY: DMH
 CHECKED BY: REK

REVISION HISTORY:

SHEET
E1

INTERCONNECT DIAGRAM



POWER SPECIFICATIONS

PET/CT 560, 600 AND 690 ELITE

(REV. DATE 7.0ct.14)

VOLTAGE
 PRIMARY SOURCE IS REQUIRED FOR ALL INSTALLATIONS.
 RANGE OF LINE VOLTAGES: NOMINAL LINE VOLTAGE OF 380 TO 480, 3 PHASE, 50 OR 60 HZ.
 REQUIRED POWER SUPPLY: WYE CONNECTED
 MAXIMUM DAILY VOLTAGE VARIATION MUST FALL WITHIN ONE OF THE RANGES IN TABLE A.

TABLE A ALLOWABLE INPUT VOLTAGES/CURRENT DEMAND

NOMINAL VOLTAGE	ABSOLUTE RANGE	CURRENT (AMPS)		MINIMUM STANDARD OVERCURRENT PROTECTION
		MOMENTARY	CONTINUOUS	
380	342-418	137	30	110-A
400	360-440	130	29	110-A
420	378-462	124	27	100-A
440	396-484	118	26	100-A
460	414-506	113	25	90-A
480	434-528	108	24	90-A

(ALL CALCULATIONS BASED UPON NOMINAL VOLTAGE)

PHASE-BALANCE.
 PHASE-TO-PHASE VOLTAGES MUST BE WITHIN +2 PERCENT OF THE LOWEST PHASE-TO-PHASE VOLTAGE. MAXIMUM ALLOWABLE TRANSIENT VOLTAGE EXCURSIONS ARE 2.5 PERCENT OF RATED LINE VOLTAGE AT A MAXIMUM DURATION OF 1 CYCLE AND FREQUENCY OF 10 TIMES PER HOUR.

VOLTAGE TRANSIENT OR IMPULSE ON THE INCOMING POWER MUST BE HELD TO A MINIMUM. TRANSIENTS CAUSED BY LIGHTNING, SURGES, LOAD SWITCHING, STATIC ELECTRICITY ETC. CAN CAUSE SCAN ABORTS OR, IN EXTREME INSTANCES, COMPONENT FAILURE IN THE COMPUTER SUBSYSTEM.

POWER DEMAND
 CONTINUOUS POWER DEMAND = 20 KVA (MAX DEMAND = 90 KVA)

TABLE B MAXIMUM MOMENTARY POWER DEMAND.

DEMAND	D600\690 ELITE
kVa *	90
POWER FACTOR AT	0.85

* DEMAND INCLUDES POWER FOR ENTIRE CT SYSTEM. LINE VOLTAGE REGULATION AT MAXIMUM POWER DEMAND MUST BE LESS THAN OR EQUAL TO 6 PERCENT.

DISTRIBUTION TRANSFORMER
 FOR A SINGLE UNIT INSTALLATION, THE MINIMUM TRANSFORMER SIZE IS 112.5 KVA. GE DOES NOT RECOMMEND USING A REGULATION DEVICE.

NOTE: THE CT SYSTEM MUST NOT BE POWERED IN A MULTIPLE INSTALLATION WHERE FILM CHANGERS ARE USED. FILM CHANGERS UTILIZE A LARGE NUMBER OF HIGH POWERED CLOSELY SPACED EXPOSURES WHICH MAY COINCIDE WITH THE CT SCAN.

ELECTRICAL NOTES

- NOTE 1: ALL WIRES SPECIFIED SHALL BE COPPER STRANDED, FLEXIBLE, THERMO-PLASTIC, COLOR CODED, CUT 10 FOOT LONG AT OUTLET BOXES, DUCT TERMINATION POINTS OR STUBBED CONDUIT ENDS. ALL CONDUCTORS, POWER, SIGNAL AND GROUND, MUST BE RUN IN A CONDUIT OR DUCT SYSTEM. ELECTRICAL CONTRACTOR SHALL RING OUT AND TAG ALL WIRES AT BOTH ENDS. WIRE RUNS MUST BE CONTINUOUS COPPER STRANDED AND FREE FROM SPLICES. **ALUMINUM OR SOLID WIRES ARE NOT ALLOWED.**
- NOTE 2: WIRE SIZES GIVEN ARE FOR USE OF EQUIPMENT. LARGER SIZES MAY BE REQUIRED BY LOCAL CODES.
- NOTE 3: IT IS RECOMMENDED THAT ALL WIRES BE COLOR CODED, AS REQUIRED IN ACCORDANCE WITH NATIONAL AND LOCAL ELECTRICAL CODES.
- NOTE 4: CONDUIT SIZES SHALL BE VERIFIED BY THE ARCHITECT, ELECTRICAL ENGINEER OR CONTRACTOR, IN ACCORDANCE WITH LOCAL OR NATIONAL CODES.
- NOTE 5: CONVENIENCE OUTLETS ARE NOT ILLUSTRATED. THEIR NUMBER AND LOCATION ARE TO BE SPECIFIED BY OTHERS. LOCATE AT LEAST ONE CONVENIENCE OUTLET CLOSE TO THE SYSTEM CONTROL, THE POWER DISTRIBUTION UNIT AND ONE ON EACH WALL OF THE PROCEDURE ROOM. USE HOSPITAL APPROVED OUTLET OR EQUIVALENT.
- NOTE 6: GENERAL ROOM ILLUMINATION IS NOT ILLUSTRATED. CAUTION SHOULD BE TAKEN TO AVOID EXCESSIVE HEAT FROM OVERHEAD SPOTLIGHTS. DAMAGE CAN OCCUR TO CEILING MOUNTING COMPONENTS AND WIRING IF HIGH WATTAGE BULBS ARE USED. RECOMMEND LOW WATTAGE BULBS NO HIGHER THAN 75 WATTS AND USE DIMMER CONTROLS (EXCEPT MR). DO NOT MOUNT LIGHTS DIRECTLY ABOVE AREAS WHERE CEILING MOUNTED ACCESSORIES WILL BE PARKED.
- NOTE 7: **ROUTING OF CABLE DUCTWORK, CONDUITS, ETC., MUST RUN DIRECT AS POSSIBLE OTHERWISE MAY RESULT IN THE NEED FOR GREATER THAN STANDARD CABLE LENGTHS (REFER TO THE INTERCONNECTION DIAGRAM FOR MAXIMUM USABLE LENGTHS POINT TO POINT).**
- NOTE 8: CONDUIT TURNS TO HAVE LARGE, SWEEPING BENDS WITH MINIMUM RADIUS IN ACCORDANCE WITH NATIONAL AND LOCAL ELECTRICAL CODES.
- NOTE 9: A SPECIAL GROUNDING SYSTEM IS REQUIRED IN ALL PROCEDURE ROOMS BY SOME NATIONAL AND LOCAL CODES. IT IS RECOMMENDED IN AREAS WHERE PATIENTS MIGHT BE EXAMINED OR TREATED UNDER PRESENT, FUTURE, OR EMERGENCY CONDITIONS. CONSULT THE GOVERNING ELECTRICAL CODE AND CONFER WITH APPROPRIATE CUSTOMER ADMINISTRATIVE PERSONNEL TO DETERMINE THE AREAS REQUIRING THIS TYPE OF GROUNDING SYSTEM.
- NOTE 10: THE MAXIMUM POINT TO POINT DISTANCES ILLUSTRATED ON THIS DRAWING MUST NOT BE EXCEEDED.
- NOTE 11: PHYSICAL CONNECTION OF PRIMARY POWER TO GE EQUIPMENT IS TO BE MADE BY CUSTOMERS ELECTRICAL CONTRACTOR WITH THE SUPERVISION OF A GE REPRESENTATIVE. THE GE REPRESENTATIVE WOULD BE REQUIRED TO IDENTIFY THE PHYSICAL CONNECTION LOCATION, AND INSURE PROPER HANDLING OF GE EQUIPMENT.

DIAGRAM KEY

- CUSTOMER/CONTRACTOR SUPPLIED WIRING. ROUTE IN ADEQUATE CONDUIT OR RACEWAY.
- GE FURNISHED CABLE RUNS. ROUTE IN EMPTY CONDUIT OR RACEWAY.
- 59' [18M] MAXIMUM RUN LENGTH BETWEEN JUNCTION POINTS. Feet, [Meters]

GE Healthcare
 Healthcare Project Implementation - Design Center
 Milwaukee, Wisconsin

SHEET TITLE: **ELECTRICAL SPECIFICATIONS**
 MODALITY TYPE: **DISCOVERY PET/CT 600**

THIS PLAN IS SUBMITTED TO SURVEY LOCATION OF GE HEALTHCARE EQUIPMENT AND ASSOCIATED APPARATUS. ELECTRICAL WIRING DETAILS AND ROOM ARRANGEMENTS IN PREPARING THIS PLAN, EVERY EFFORT HAS BEEN MADE TO CONFORM DETAILS TO THE MOST RECENT EDITIONS OF THE NATIONAL ELECTRICAL CODE AND THE COMPANY'S ACTING CONSTRUCTION SPECIFICATIONS. THE COMPANY CANNOT ACCEPT RESPONSIBILITY FOR ANY DAMAGES RESULTING THEREFROM.

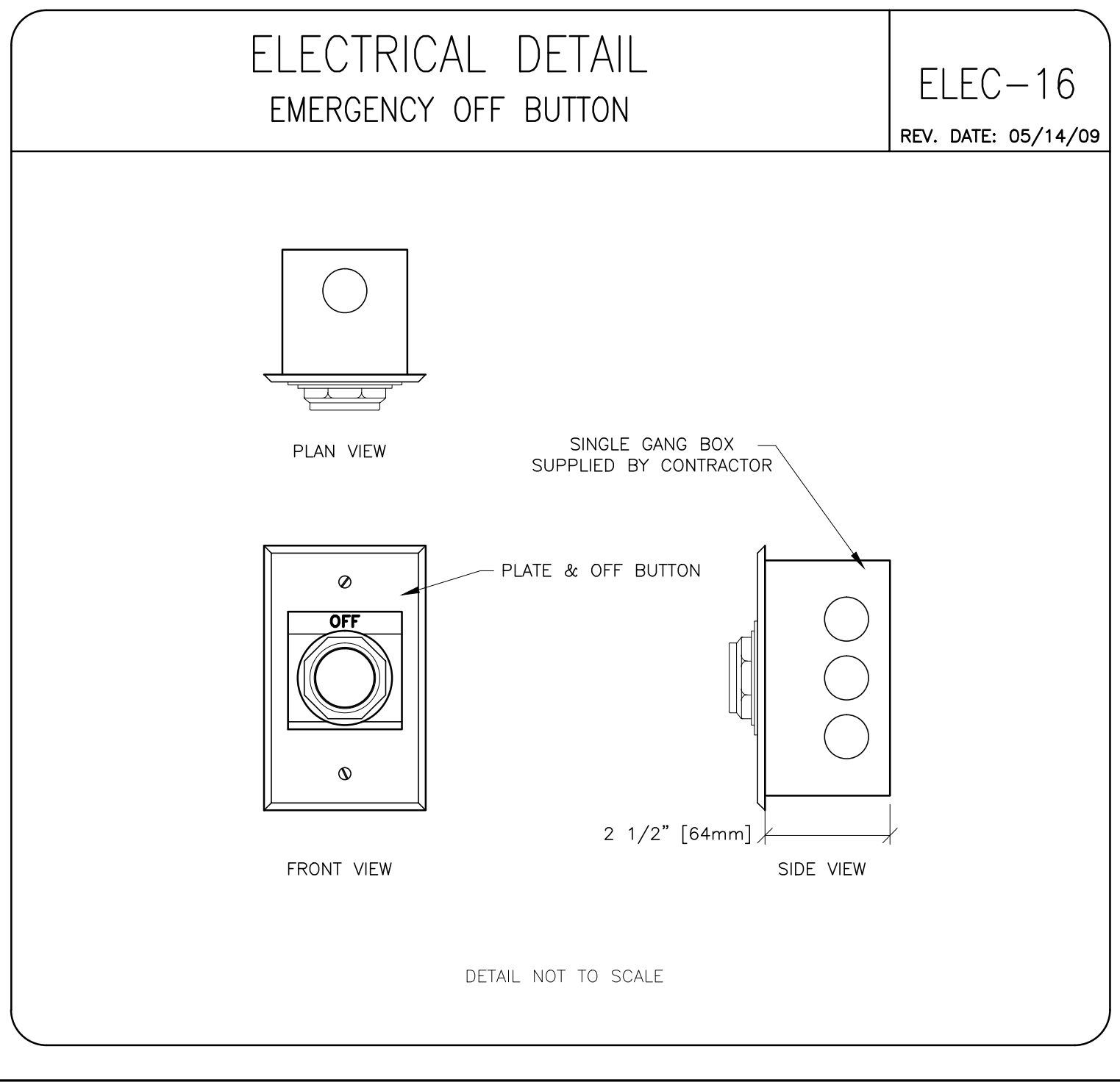
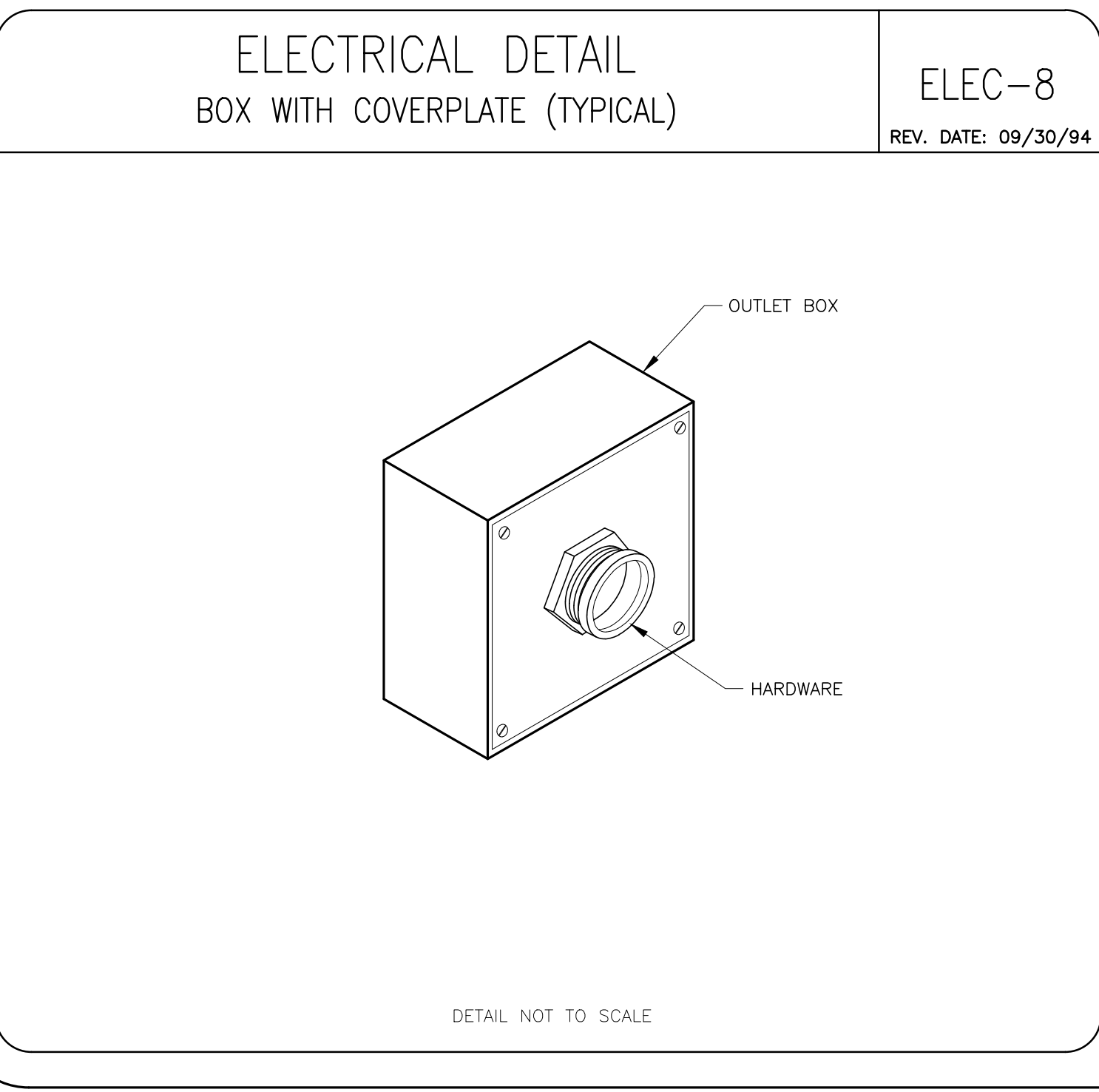
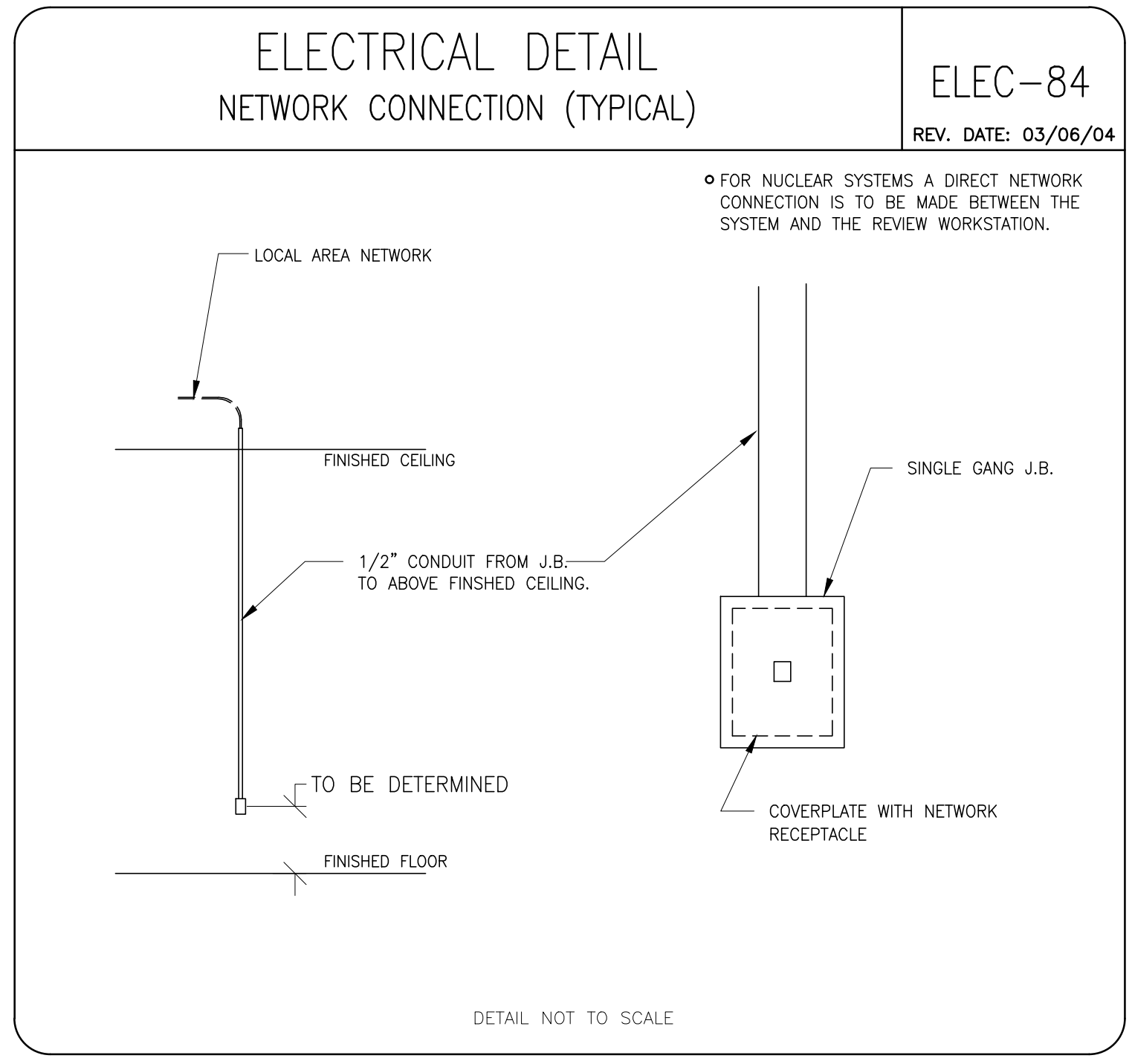
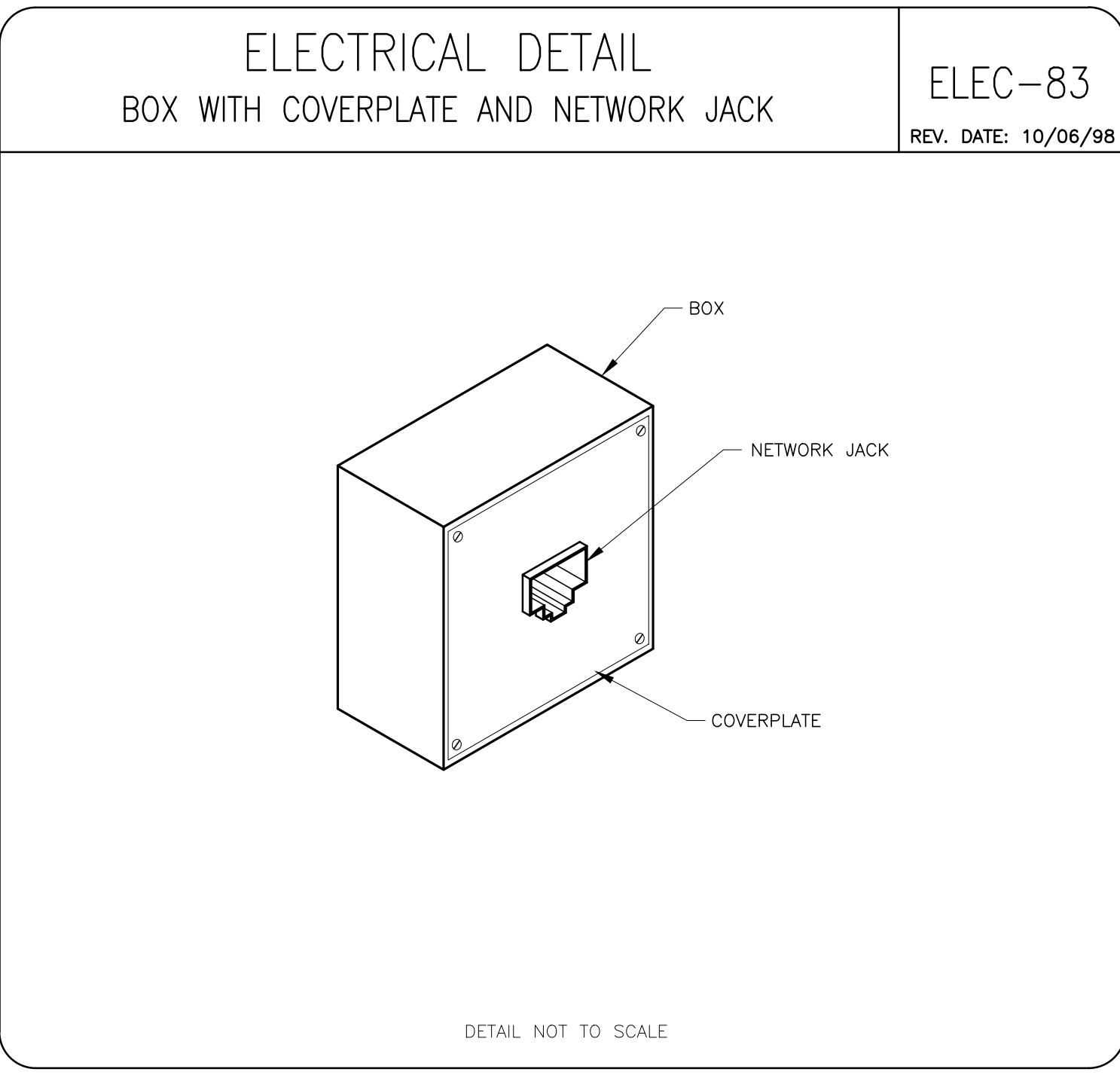
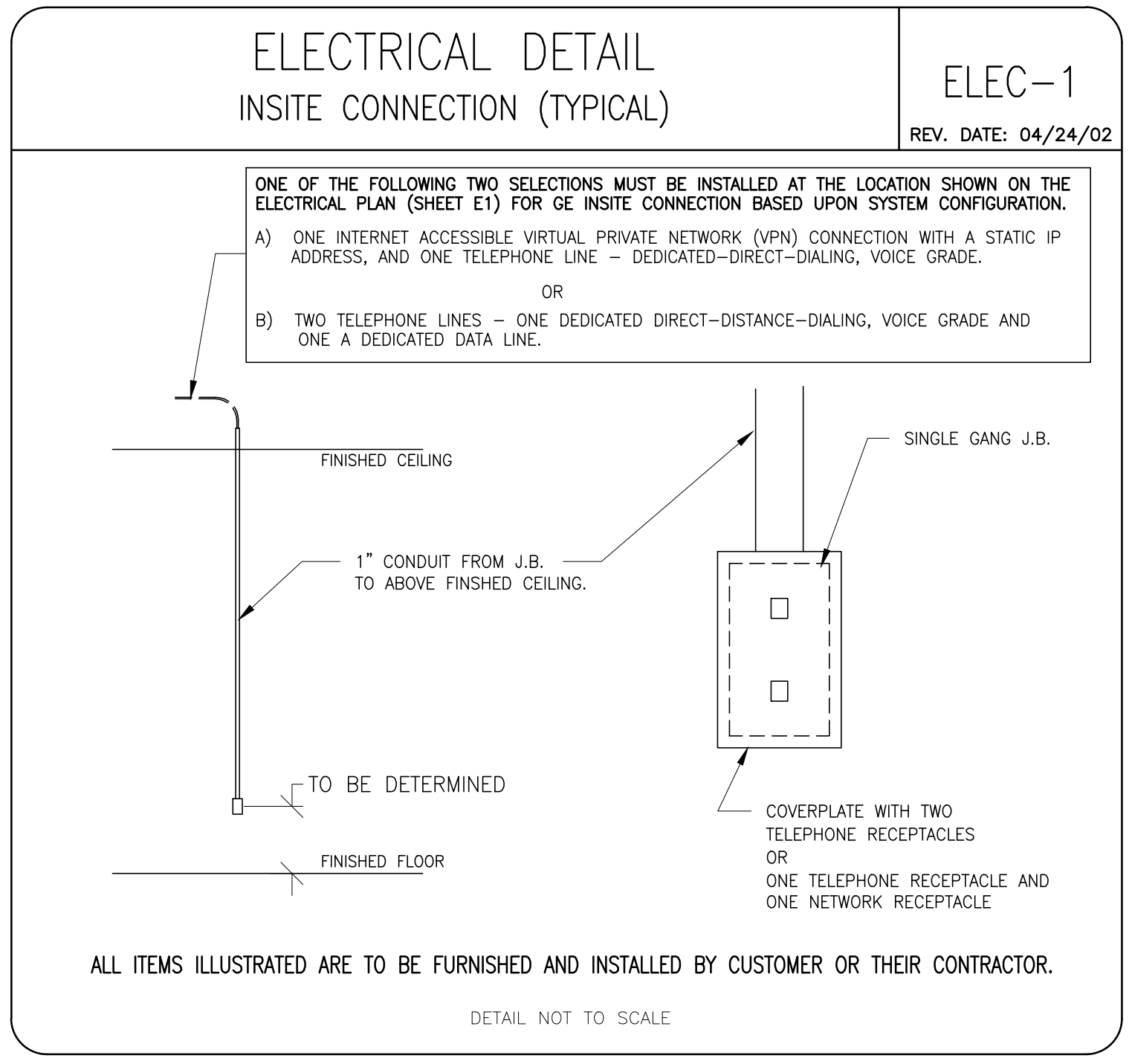
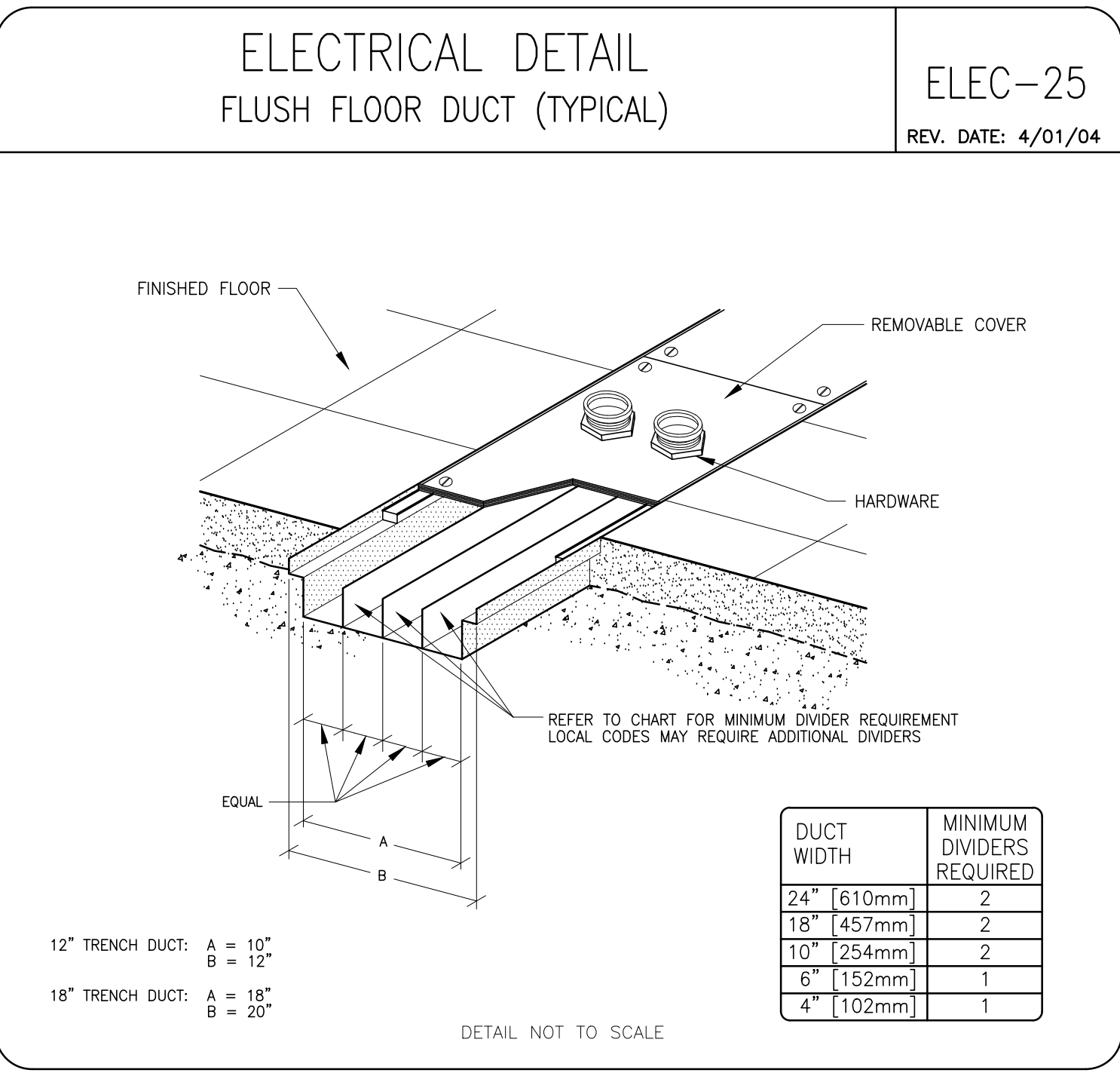
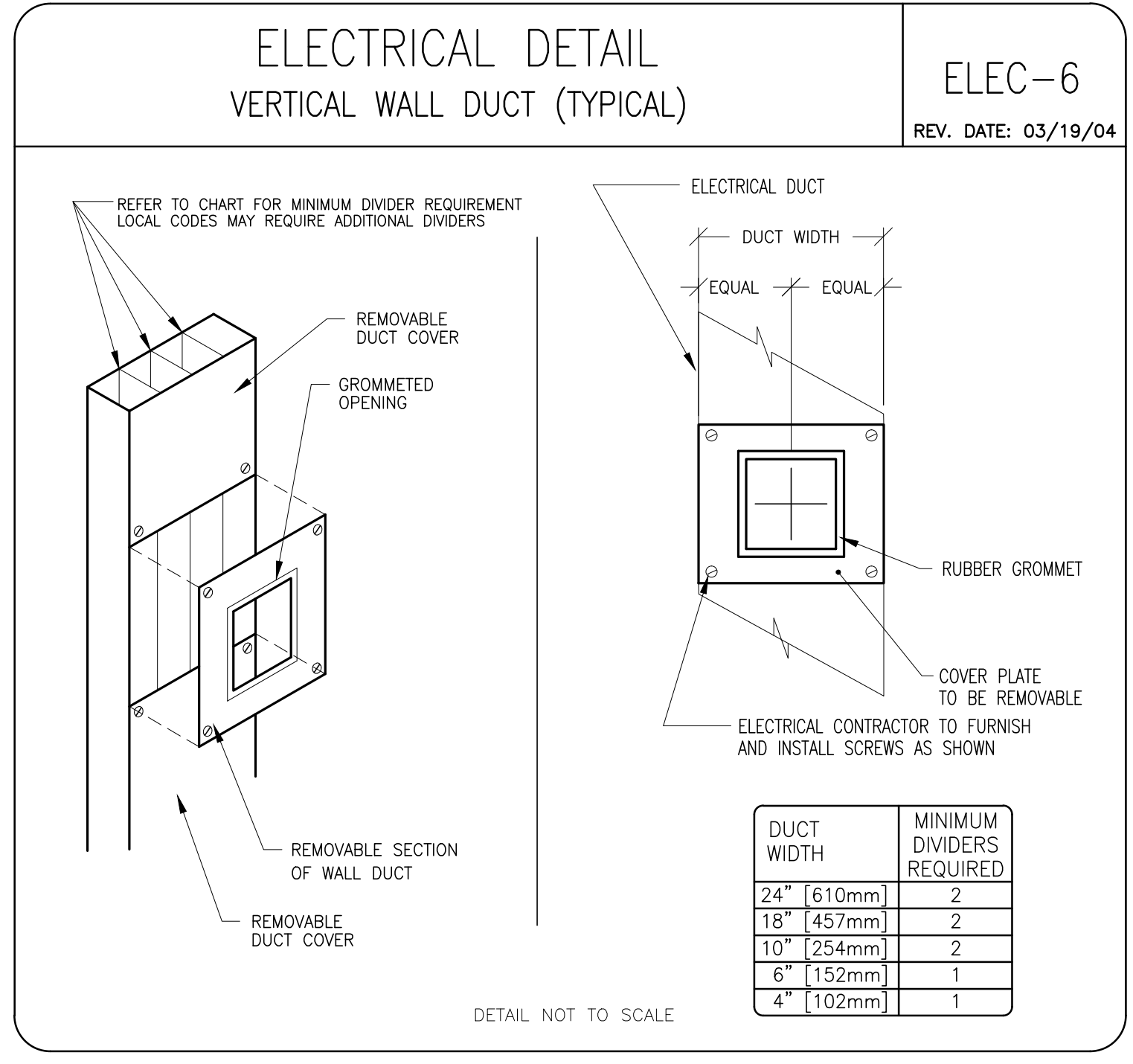
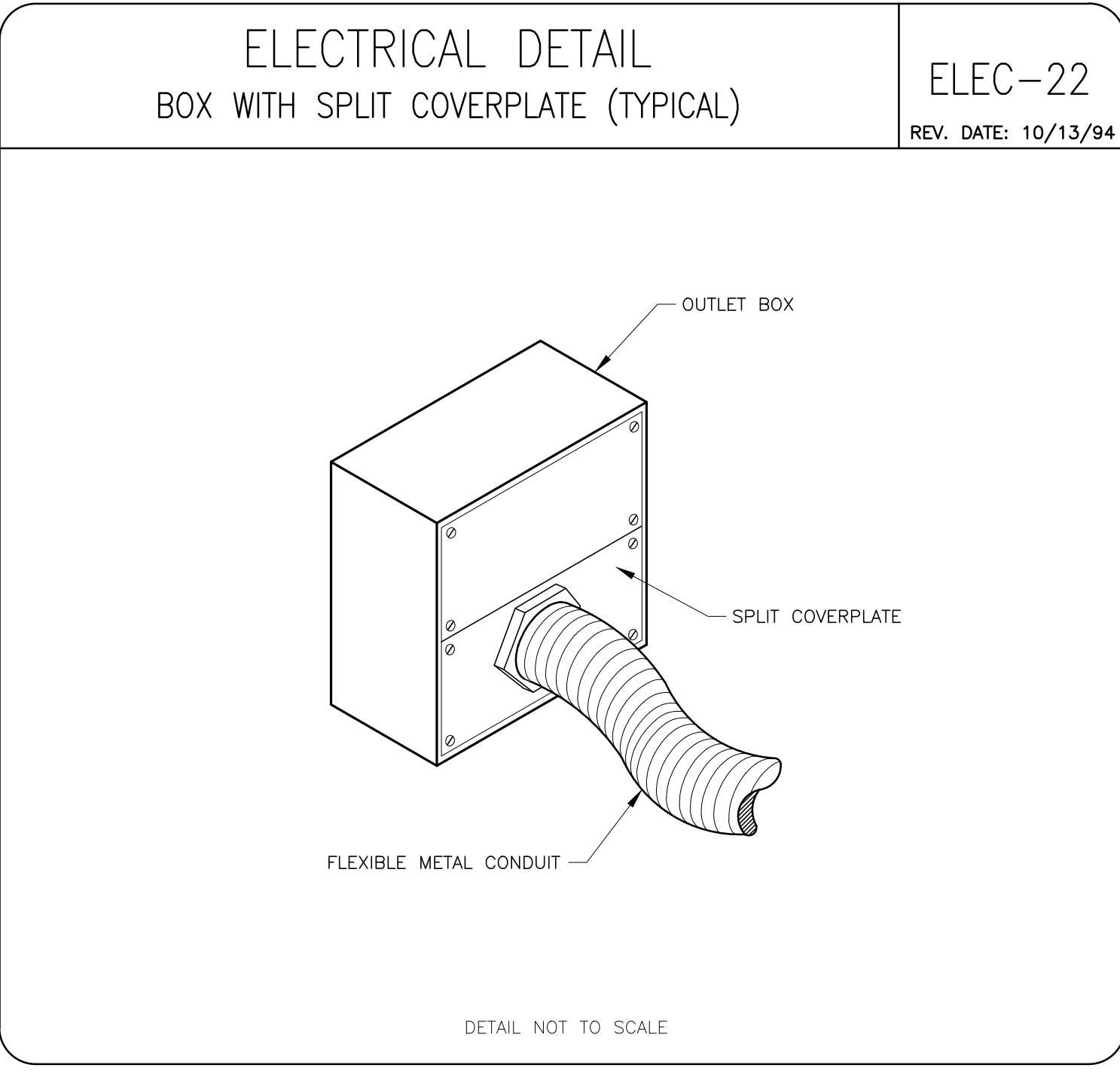
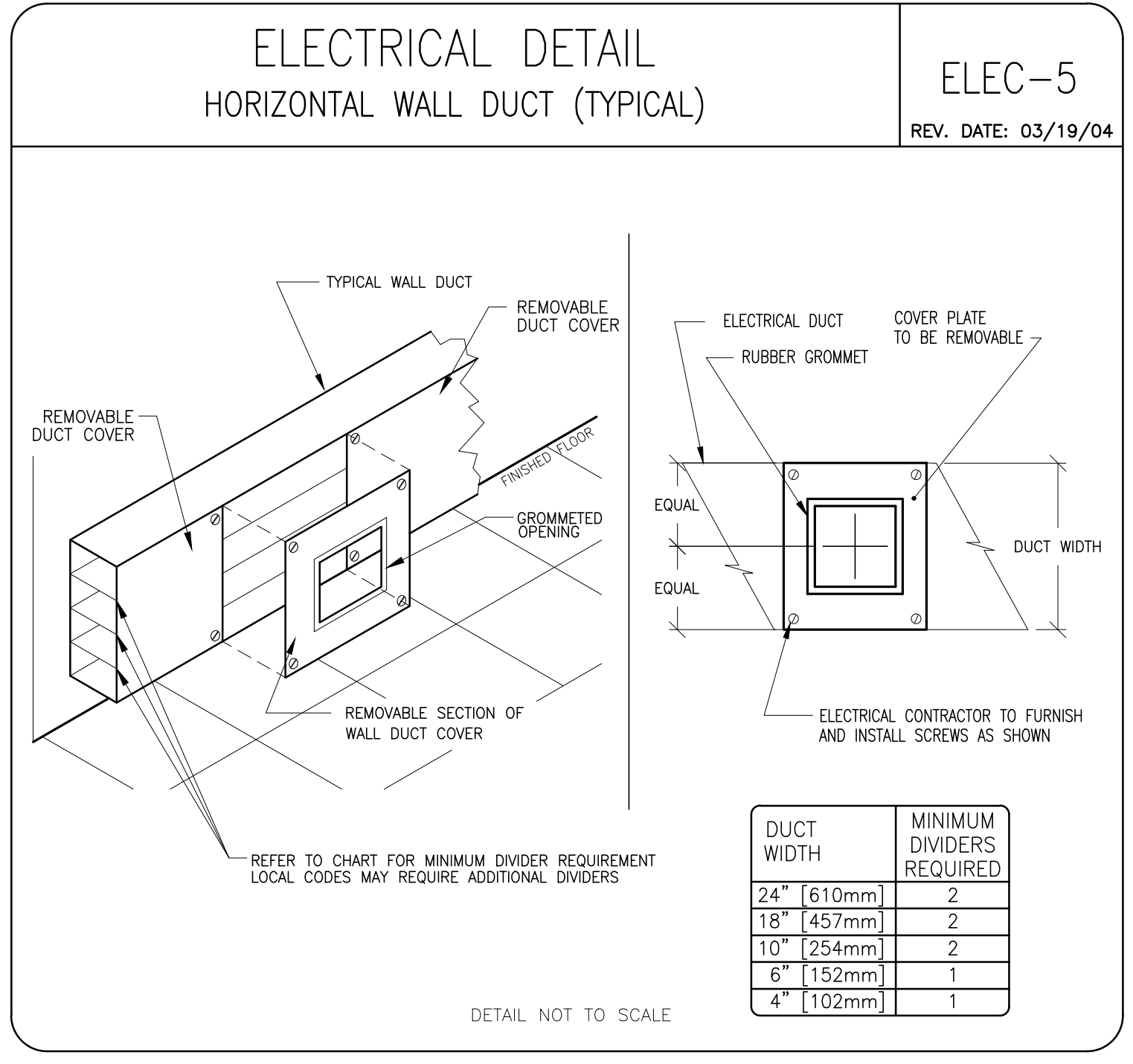
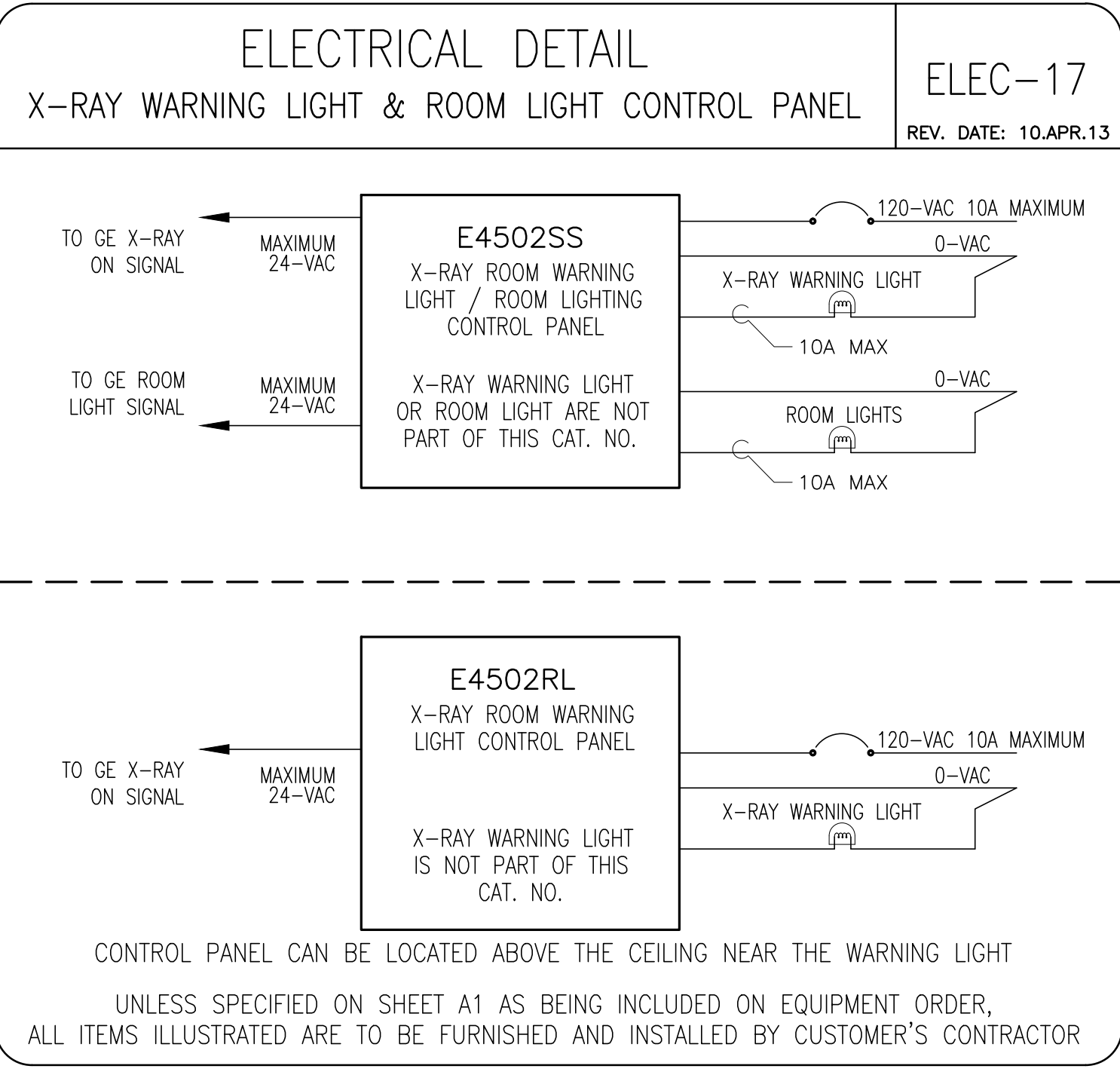
PROJECT TITLE:
12-18F
 TYPICAL LAYOUT

PROJECT	REVISION
12-18f	08

DATE: 06Jun.16
 DRAWN BY: DMH
 CHECKED BY: REK

REVISION HISTORY:

SHEET
E2



GE Healthcare
Healthcare Project Implementation - Design Center
Milwaukee, Wisconsin

SHEET TITLE: **ELECTRICAL DETAILS**
MODALITY TYPE: **DISCOVERY PET/CT 600**

THIS PLAN IS SUBMITTED TO SURVEY LOCATION OF GE HEALTHCARE EQUIPMENT AND ASSOCIATED APPARATUS. ELECTRICAL WIRING DETAILS AND ROOM ARRANGEMENTS IN PREPARING THIS PLAN, EVERY EFFORT HAS BEEN MADE TO CONFORM DETAILS TO THE LATEST EDITIONS OF THE NATIONAL ELECTRICAL CODE AND THE COMPANY CANNOT ACCEPT RESPONSIBILITY FOR ANY DAMAGES RESULTING THEREFROM.

PROJECT TITLE:
12-18F
TYPICAL LAYOUT

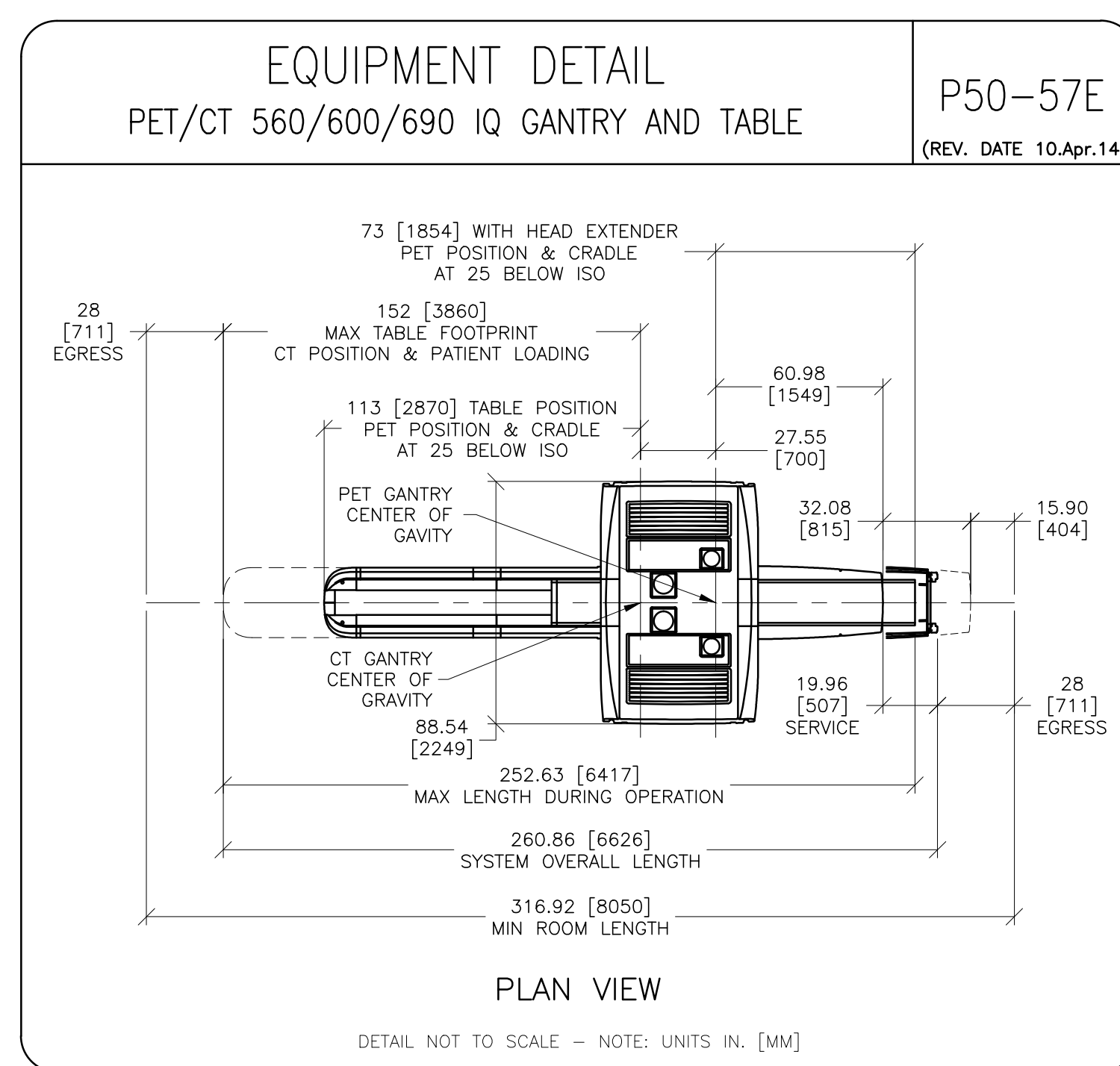
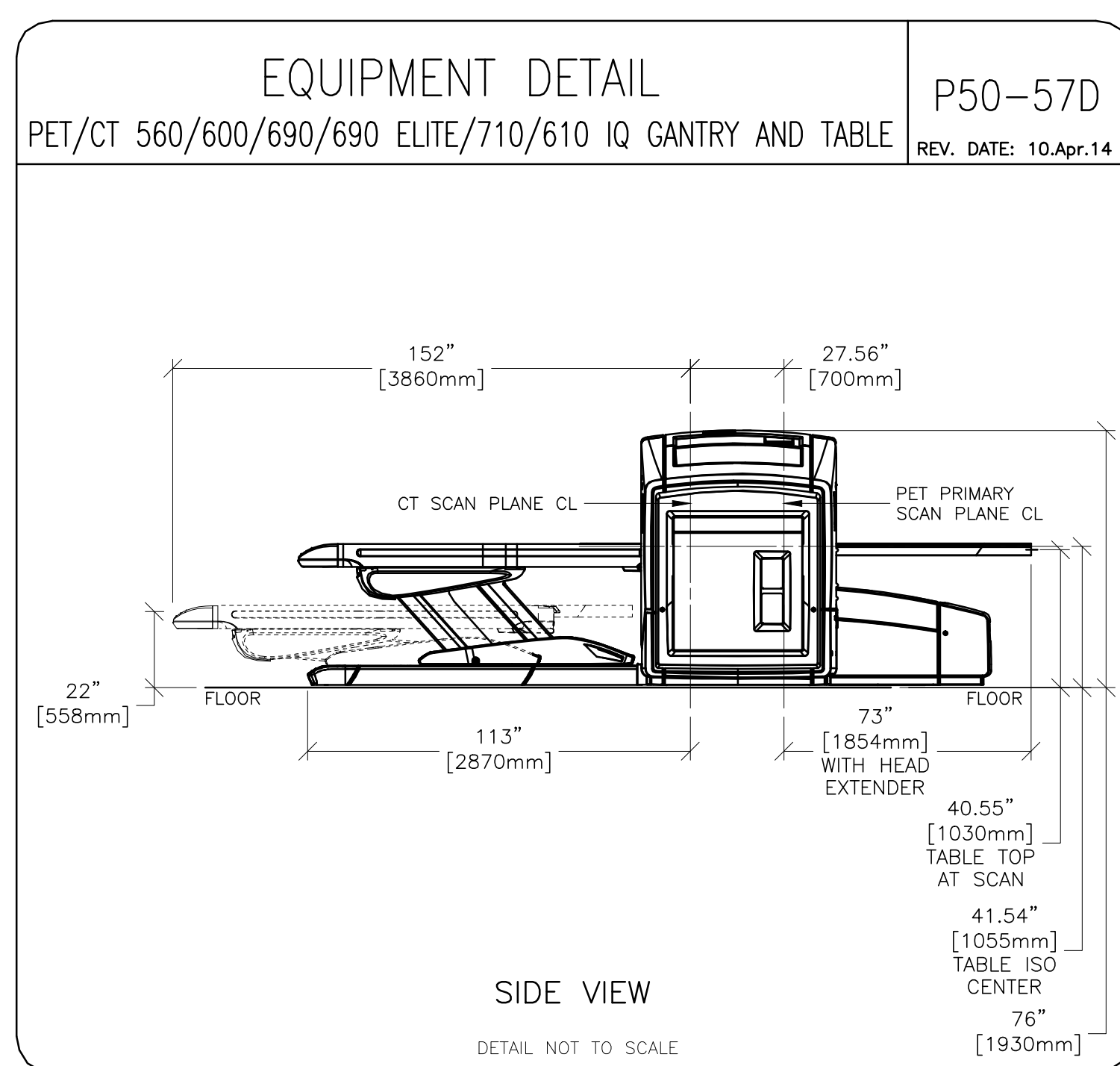
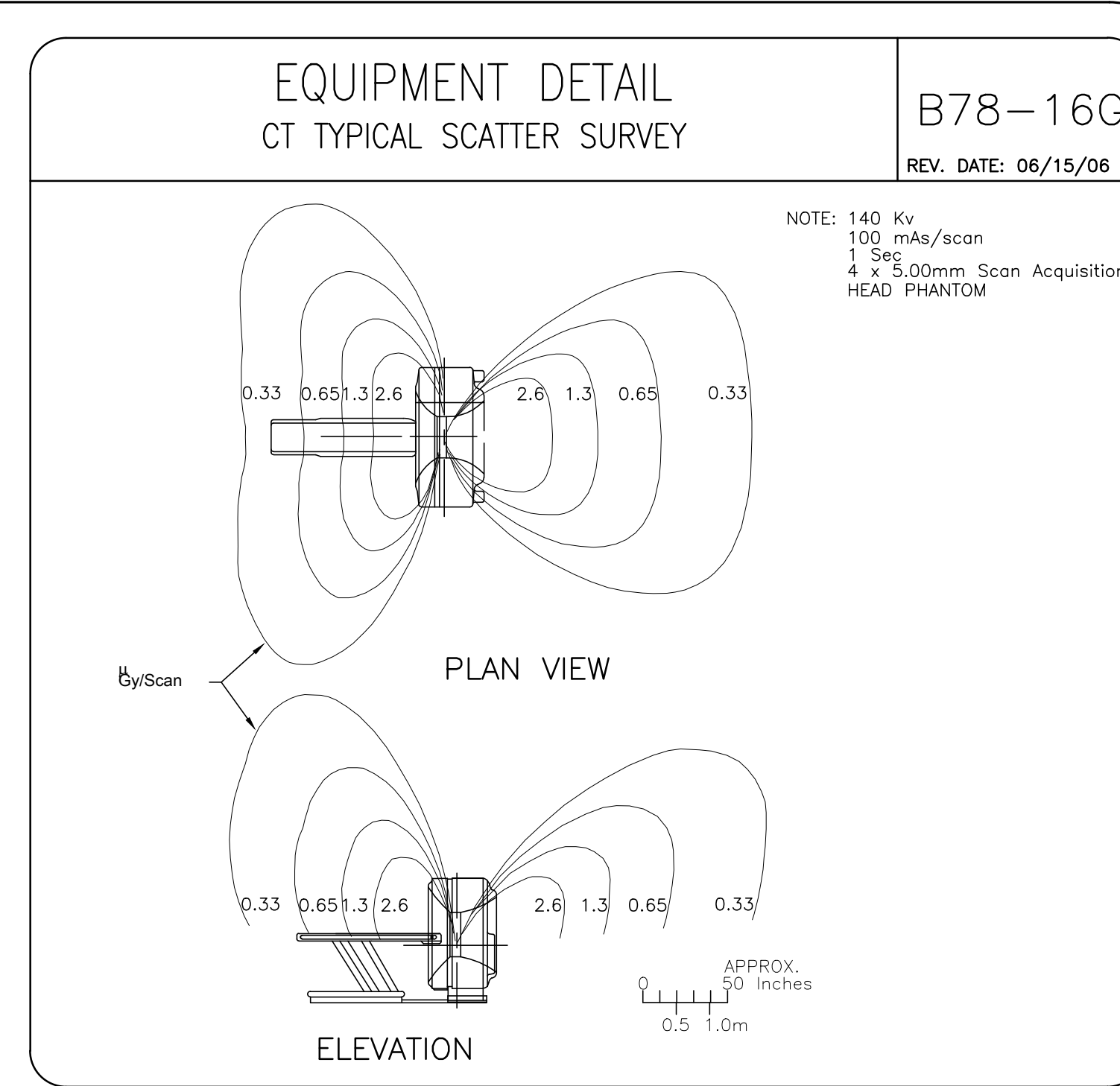
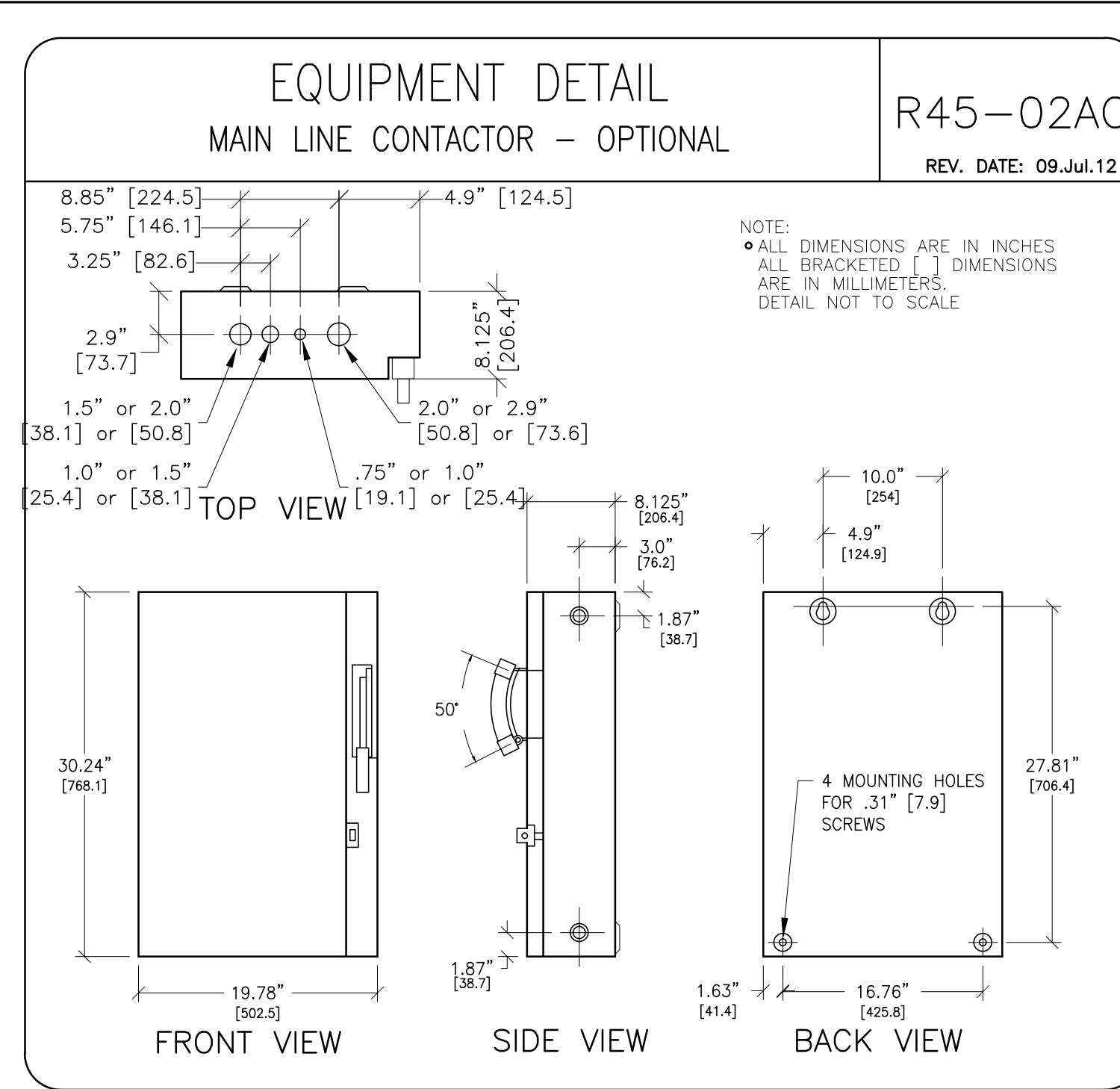
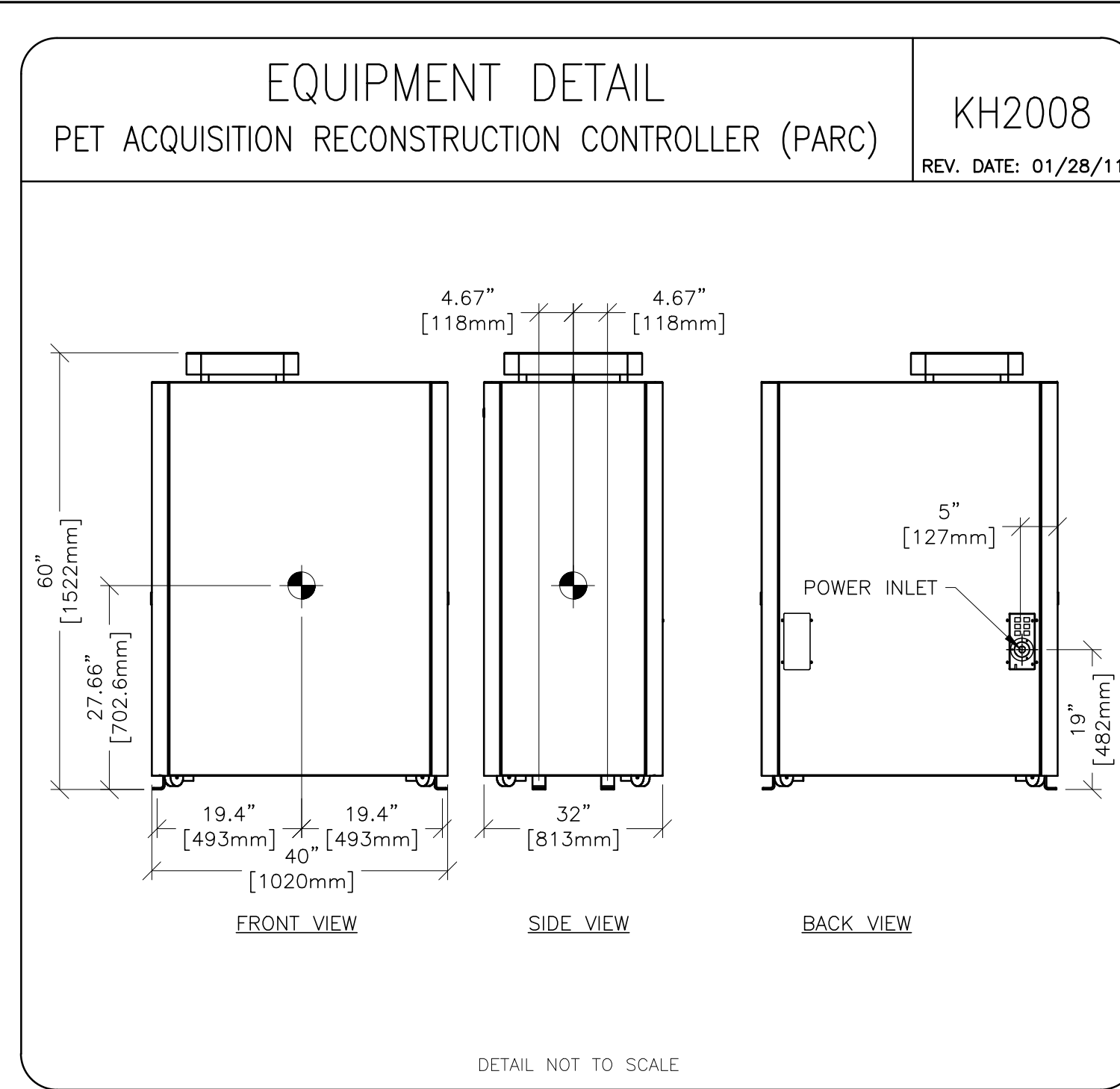
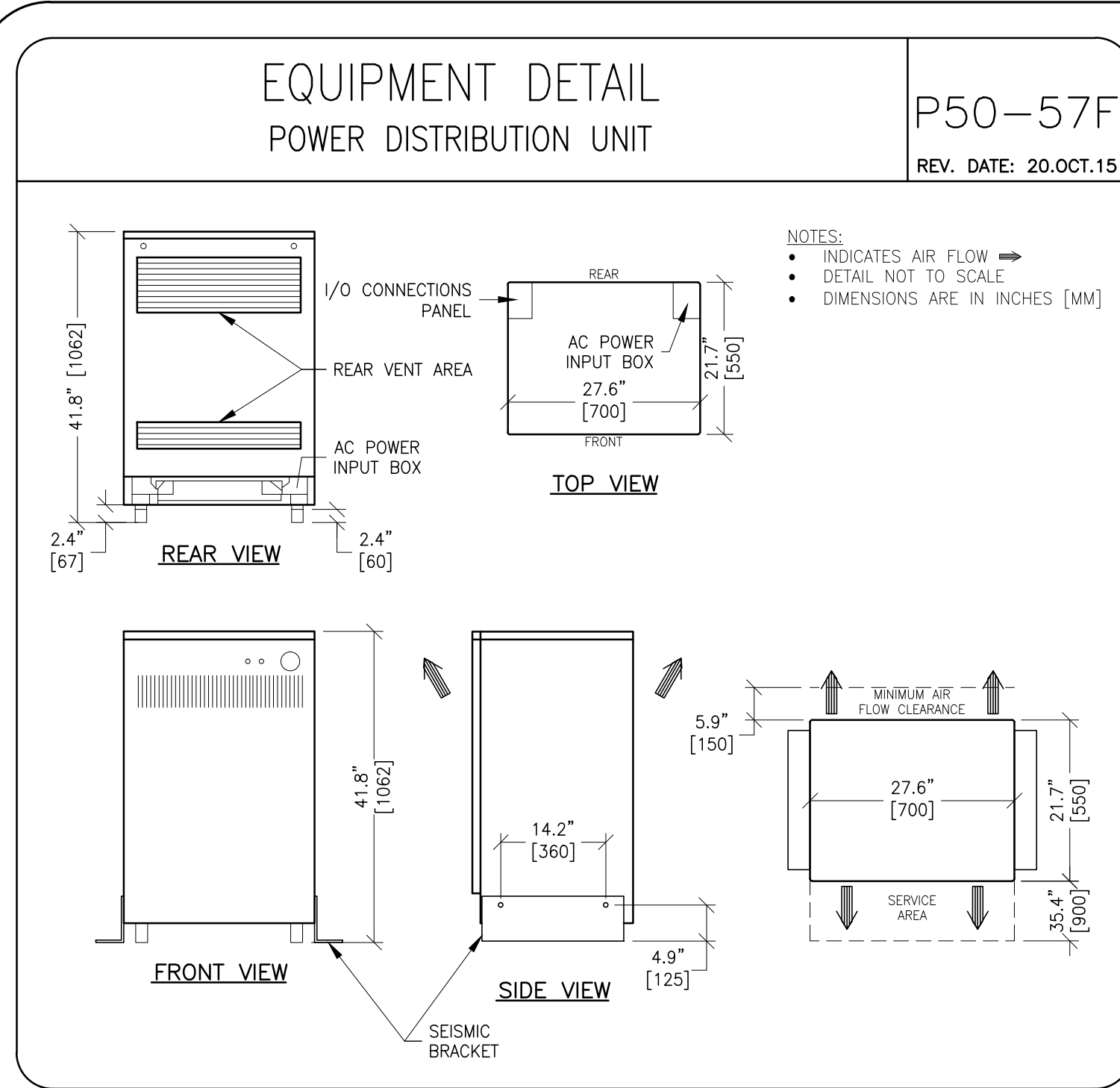
PROJECT	REVISION
12-18f	08

DATE: 06.Jun.16
DRAWN BY: DMH
CHECKED BY: REK

REVISION HISTORY:

SHEET
E3

RQ - 161094 PIM R13



EQUIPMENT DETAIL EQUIPMENT SHIPPING DETAIL

B6090A
REV. DATE: 01/28/11

ITEM	LENGTH IN. [MM]	WIDTH IN. [MM]	HEIGHT IN. [MM]	WEIGHT lb [kg]	LIFTABLE (OPTIONAL)	RIGGERS TO MOVE	CONSTRUCTION PACKAGE (OPTIONAL)
600/690 ELITE CT GANTRY	114 [2896]	51 [1295]	77 [1955]	4187 [1899]	YES	YES	YES
690 VCT CT GANTRY	114 [2896]	51 [1295]	77 [1955]	4260 [1932]	YES	YES	YES
PET SOURCE RING AND TRAILER	96 [2438]	44 [1118]	43 [1092]	1340 [608]	YES	YES	YES
PET IMAGE RING	110 [2794]	44 [1118]	74 [1880]	3205 [1454]	YES	YES	YES
PET RETRACTOR & BASE ASSEMBLY	96 [2438]	41.5 [1050]	39 [990]	1495 [678]	YES	YES	YES
PARC	32 [816]	40 [1020]	60 [1522]	900 [408]	YES	YES	YES
TABLE WITH ACCESSORIES	161 [4089]	34 [864]	55.5 [1410]	2856 [1295]	YES	YES	YES
POWER DISTRIBUTION UNIT	30 [762]	23 [584]	43 [1092]	910 [413]	YES	YES	YES
SKID WITH CONSOLE	54 [1372]	46 [1168]	43 [1092]	560 [254]	YES	YES	YES

EQUIPMENT DETAIL EQUIPMENT SHIPPING DETAIL

B6090B
REV. DATE: 01/28/11

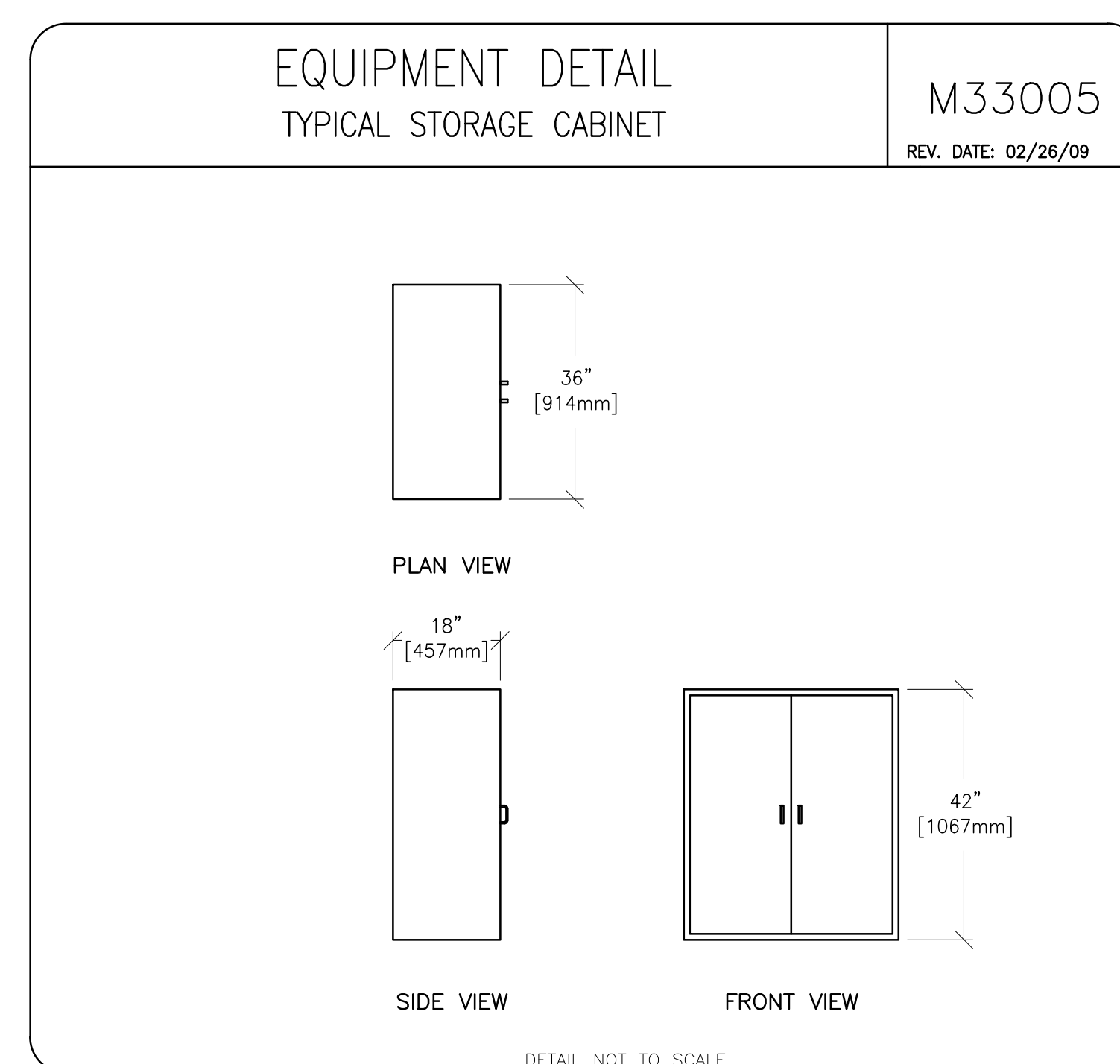
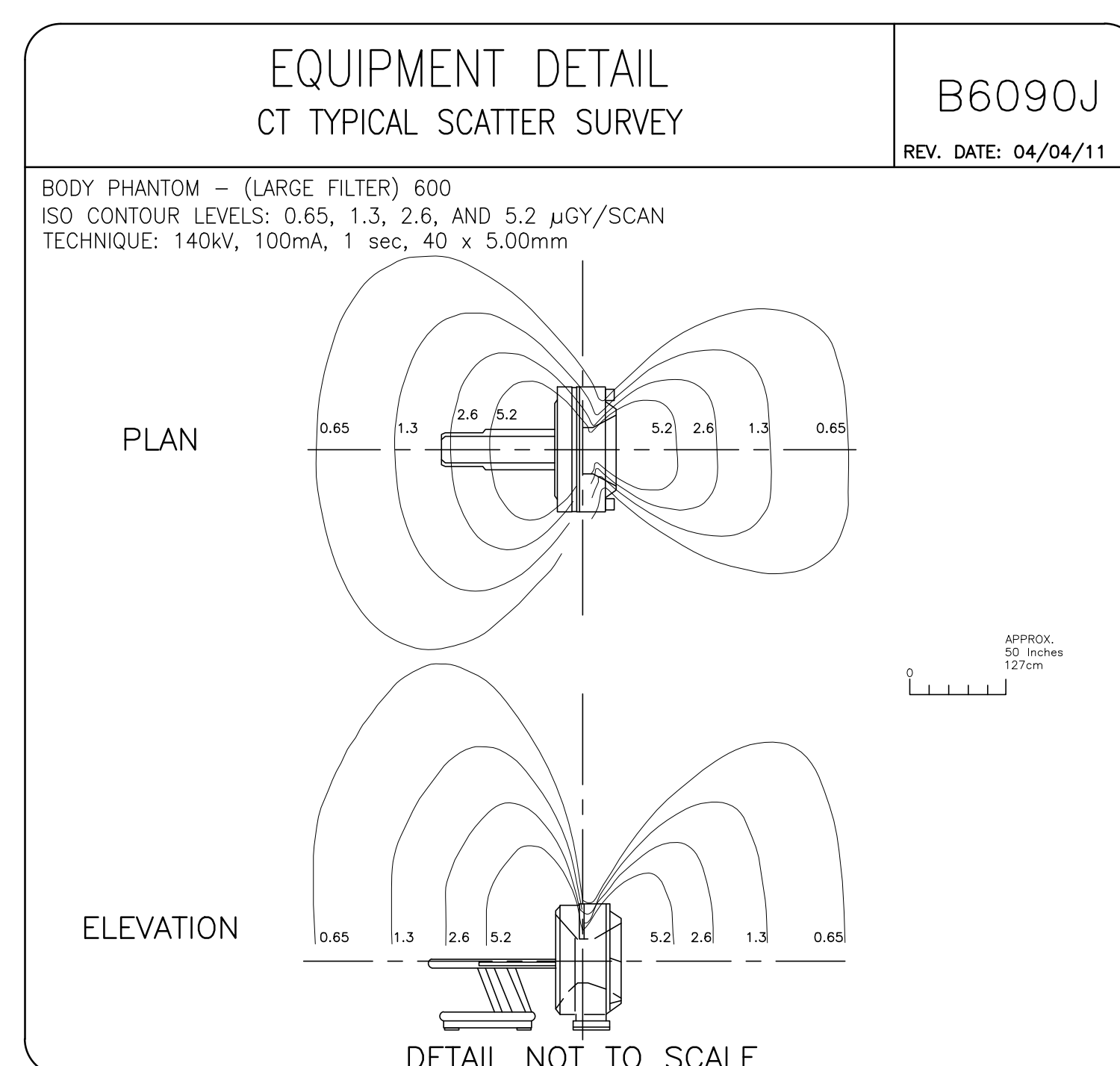
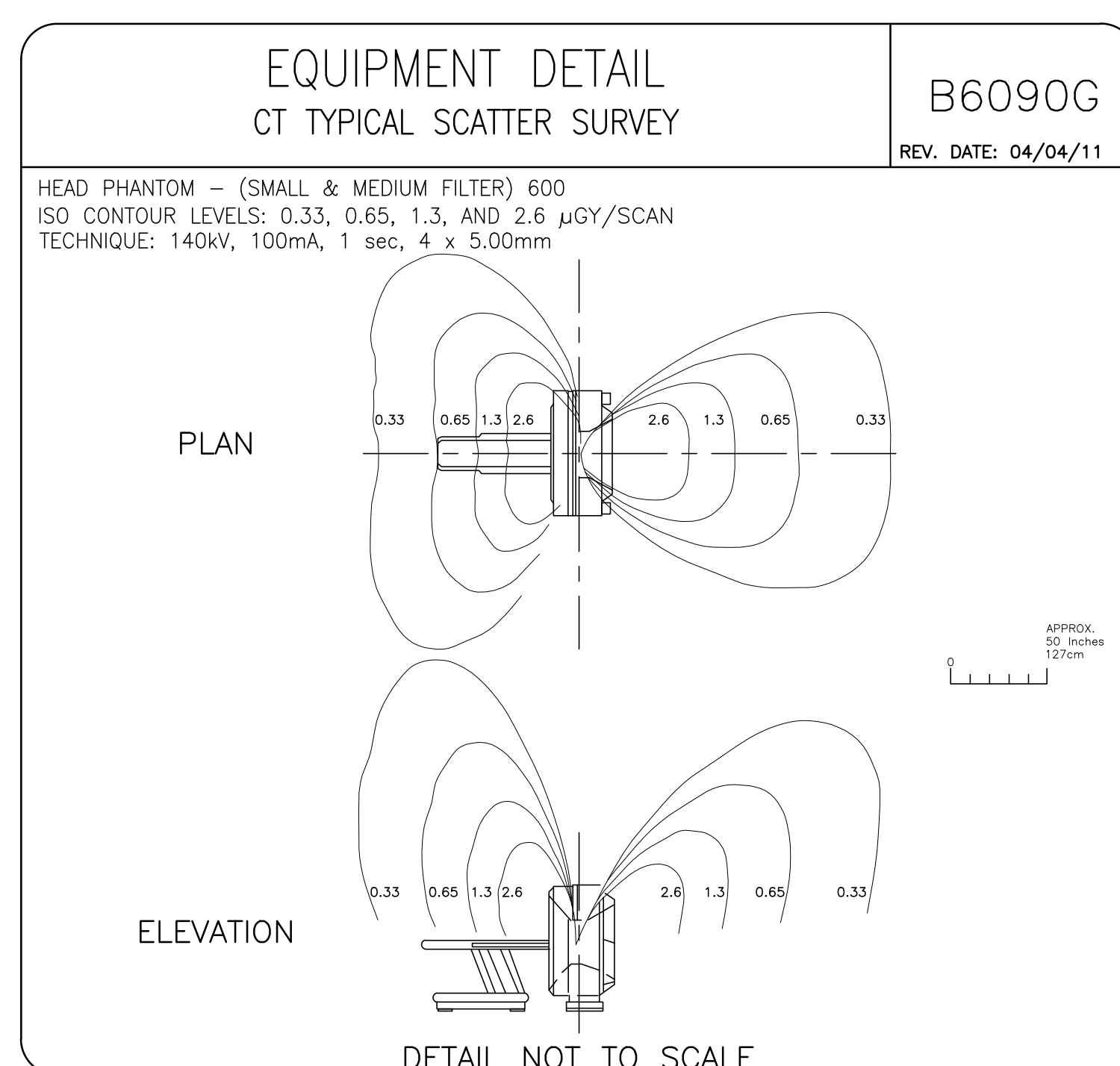
* FLOOR PROTECTION REQUIRED

CONFIGURATION	LENGTH - IN. [MM]	WIDTH - IN. [MM]	HEIGHT - IN. [MM]	WEIGHT - lb [kg]
DOLLIES ON, SIDE RAILS ON	114 [2896]	51 [1295]	77 [1955]	4260 [1932]*
DOLLIES ON, SIDE RAILS REMOVED	114 [2896]	42 [1067]	77 [1955]	4220 [1914]
PET BASE & RETRACTOR ASSEMBLY	96 [2438]	41.5 [1050]	39 [990]	1495 [698]
PET IMAGE RING WITH DOLLIES	110 [2794]	44 [1118]	74 [1880]	3205 [1454]
PET SOURCE RING AND TRAILER WITH DOLLIES	96 [2438]	44 [1118]	43 [1092]	1340 [608]
BLUE DOLLIES ON, RED CASTORS ON	120 [3048]	40 [1016]	55.5 [1410] NOMINAL	2856 [1295]
BLUE DOLLIES ON	151 [3836]	34 [864]	55.5 [1410] NOMINAL	2736 [1241]
TILTING	98-115 [2489-2921]	26 [660]	70-80 [1778-2032]	100 [636]

EQUIPMENT DETAIL EQUIPMENT SHIPPING DETAIL

B6090C
REV. DATE: 08/11/08

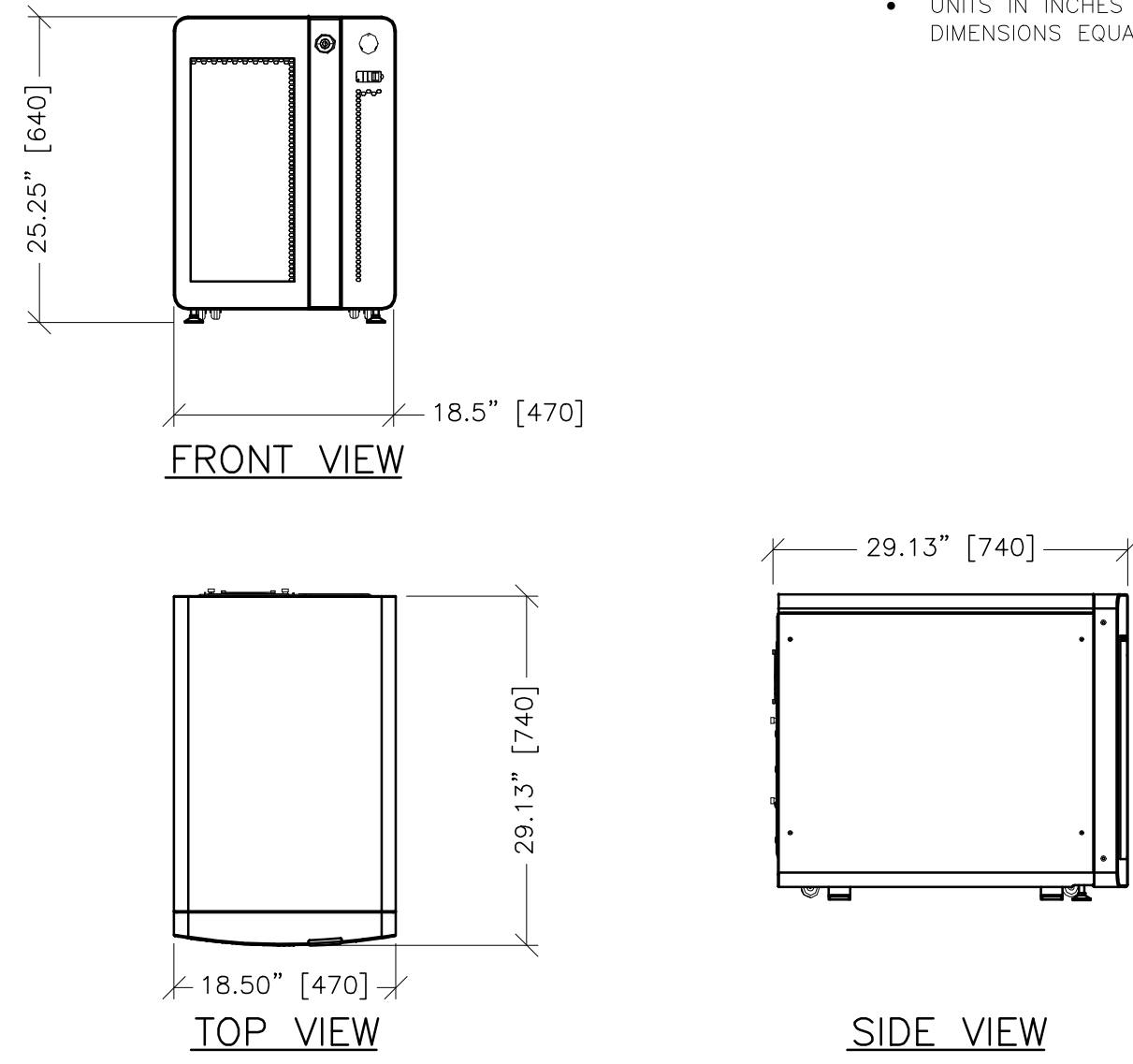
CONFIGURATION	LENGTH - IN. [MM]	WIDTH - IN. [MM]	HEIGHT - IN. [MM]	WEIGHT - lb [kg]
PARC SHIPPING CRATE	32 [816]	50 [127]	60 [170]	900 [408]
SKID WITH OPERATORS CONSOLE	54 [1372]	46 [1168]	43 [1092]	560 [254]
SKID WITH CONSOLE COMPONENTS	40 [1016]	40 [1016]	33 [838]	120 [54]



EQUIPMENT DETAIL
OPERATORS CONSOLE – COMPUTER

B81-05
REV. DATE: 20.Nov.12

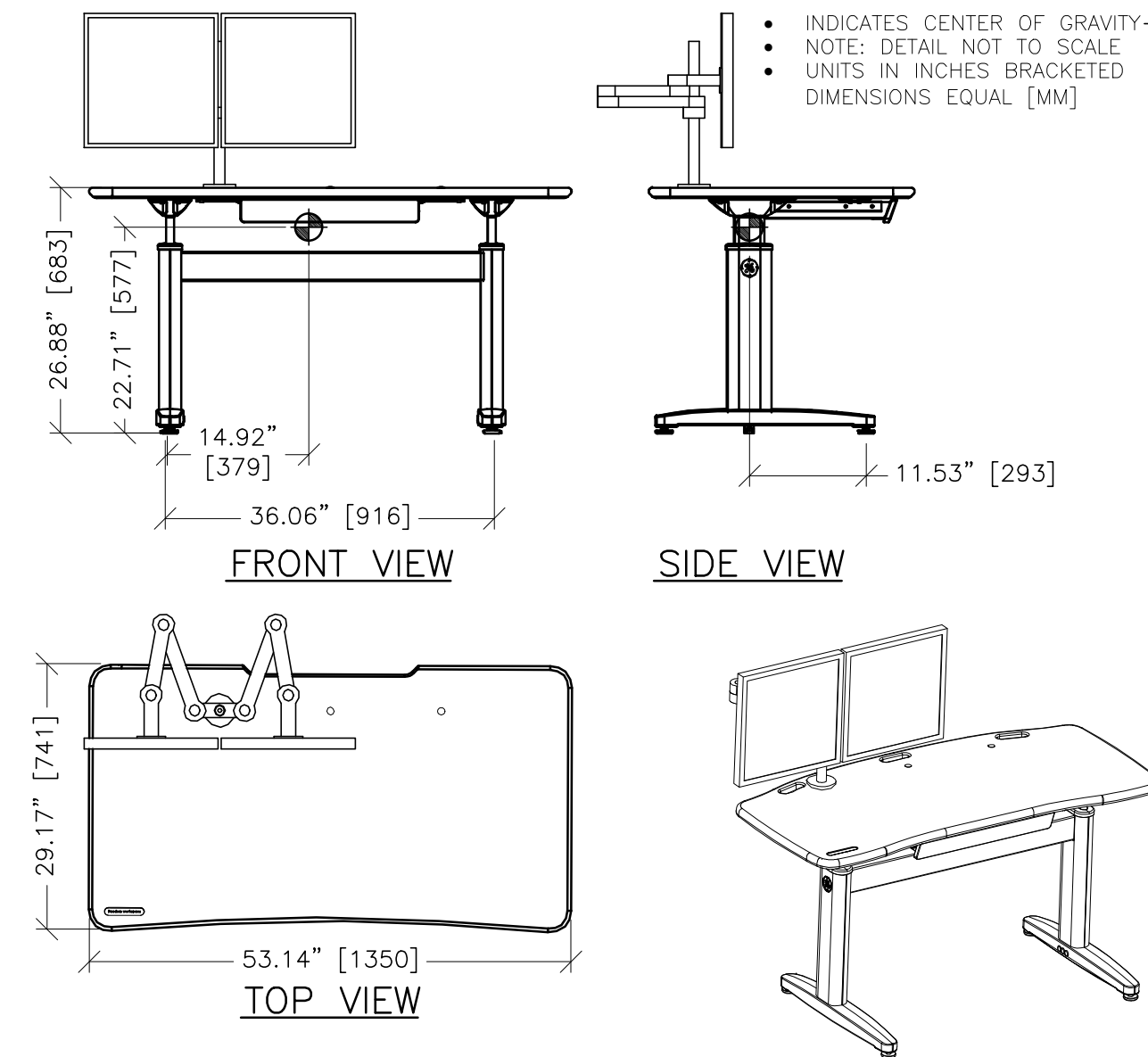
- NOTE: DETAIL NOT TO SCALE
- UNITS IN INCHES BRACKETED DIMENSIONS EQUAL [MM]



EQUIPMENT DETAIL
T.I.O OPERATORS CONSOLE – LARGE TABLE

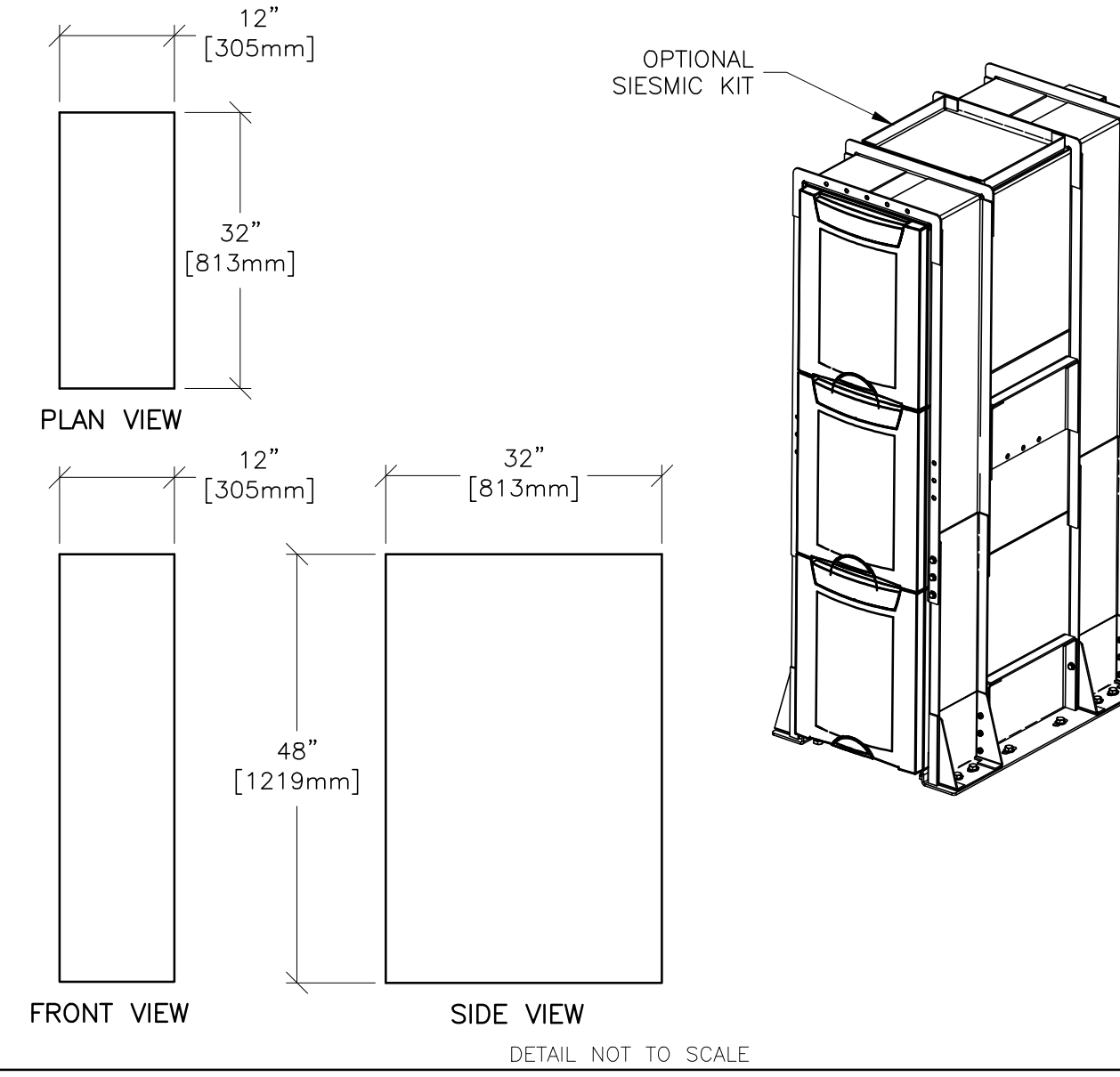
B81-07
REV. DATE: 09.May.11

- INDICATES CENTER OF GRAVITY
- NOTE: DETAIL NOT TO SCALE
- UNITS IN INCHES BRACKETED DIMENSIONS EQUAL [MM]



EQUIPMENT DETAIL
UPS SYSTEM (CAT. NO. B7864PZ/P5064PS/E4502F)

B7864PZ
REV. DATE: 26.AUG.15



RQ - 161094 PIM R13

PROJECT	REVISION
12-18f	08
DATE:	06.Jun.16
DRAWN BY:	DMH
CHECKED BY:	REK

REVISION HISTORY:

SHEET
D2

SHEET TITLE: EQUIPMENT DETAILS
MODALITY TYPE: DISCOVERY PET/CT 600

THIS PLAN IS SUBMITTED TO SUGGEST LOCATION OF HEALTHCARE EQUIPMENT AND ASSOCIATED APPARATUS, ELECTRICAL WIRING DETAILS AND ROOM ARRANGEMENTS. IN PREPARING THIS PLAN, EVERY EFFORT HAS BEEN MADE TO CONFORM DETAILS TO THE MANUFACTURER'S DIMENSIONS AND TO THE LOCAL ELECTRICAL AND MECHANICAL CODES. THE COMPANY ASSUMES NO LIABILITY FOR ANY DAMAGES RESULTING THEREFROM.

GE Healthcare

Healthcare Project Implementation – Design Center
Milwaukee, Wisconsin