

# Drawing Index

These sheets are a document set and should not be separated. Electrical information and references are contained on all sheets.

SITE READINESS	C1
EQUIPMENT LAYOUT (Equipment locations, heat loads, component weights, environmental specs)	A1
STRUCTURAL LAYOUT (Structural support/mounting locations for floor/wall/ceiling, wall support elevations)	S1
STRUCTURAL DETAILS (Floor and Ceiling loading information)	S2
ELECTRICAL LAYOUT (Contractor supplied wiring, interconnect methods, junction point locations and descriptions)	E1
ELECTRICAL SPECIFICATIONS (Maximum wiring run lengths, interconnect diagram, system power specifications)	E2
ELECTRICAL DETAILS	E3
EQUIPMENT DETAILS	D1

These equipment IS drawings indicate the placement and interconnection of the listed equipment components. These drawings are not construction or site preparation drawings. Customer remains ultimately responsible for preparing the site to accommodate the IS and operation of such equipment in compliance with GE Healthcare's written specifications and all applicable federal, state, and/or local requirements.

## \* REQUIRED REFERENCE \*

Senographe 2000D  
Pre Installation Manual  
2228460-100

A mandatory component of this drawing set is the GE Healthcare Pre Installation manual. Failure to reference the preIS manual will result in incomplete documentation required for site design and preparation.

Pre Installation documents for GE Healthcare products can be accessed on the web at:

[www.gehealthcare.com/siteplanning](http://www.gehealthcare.com/siteplanning)

# GE Healthcare



## Women's Health Site Planning



imagination at work

## Customer Site Readiness Requirements

- Any deviation from these drawings must be communicated in writing to and reviewed by your local GE Healthcare Installation Project Manager prior to making changes.
- Make arrangements for any rigging, special handling, or facility modifications that must be made to deliver the equipment to the installation site. If desired, your local GE Healthcare Installation Project Manager can supply a reference list of rigging contractors.
- New construction requires the following; 1. Secure area for equipment, 2. Power for drills and other test equipment, 3. Capability for image analysis, 4. Restrooms.
- Provide for refuse removal and disposal (e.g. crates, cartons, packing)
- Contact a radiation physicist or consultant to specify radiation containment requirements.

## GE Equipment Delivery Requirements

The items on the GE Healthcare Site Readiness Checklist are REQUIRED to facilitate equipment delivery to the IS site. Equipment will not be delivered if these requirements are not satisfied.

GE Healthcare Site Readiness Checklist Rev 18					
Before using this document ensure you have the latest Rev from MyWorkshop on DOC0422752					
GEHC Global Order #:		Customer:			
GEHC PMI:		FE / Installer:			
The customer is responsible for proper site preparation regardless of any GEHC measurements/inspections/assessments.					
Item #	GEHC Minimum Requirements	Storage: is item ready?	PMI: is item ready?	FE: is item ready?	Comments If "N", enter comments or action plan
1	MR Magnet Delivery Requirements: Ensure oxygen venting system is designed and installed with objective evidence that it is compliant with the GEHC Pre-Installation Manual (PIM) requirements, exhaust fan system is installed and operational, 480V power, and chilled water supply is available 24x7 that meets system cooling requirements. External connectivity is available for magnet monitoring and phone service is available during delivery.				
2	MR RF Screen Room Requirements: RF Screen Room is tested with objective evidence that it is compliant with GEHC specifications. Dock Bolt installed using 2 part anchor. For HDx systems, blower box mount bolts installed by RF vendor using 2 part anchors.				
3	State Regulatory Requirements: Site Drawing Requirements: Final version of equipment installation drawings (including red lined versions) verified to match actual room and has been provided to installer. X-ray shielding plan and state acknowledgment letter provided to installer for AR, DC, NC, SC, CO & WA.				
4	Site Drawing Requirements: Final version of equipment installation drawings (including red lined versions) verified to match actual room and has been provided to installer.				
5	Surface Penetration Requirements: Customer/Contractor scheduled to provide required drilling or cutting into floors, ceilings, and walls; OR surface penetration permit available and posted in the room when GEHC will perform the work.				
5	Delivery Route Requirements: The equipment delivery route from the truck to the final destination within the facility has been reviewed with all key stakeholders to safely meet the minimum requirements for equipment access, and all communications/notifications have occurred. Arrangements have been made for special handling (elevator, rigging, floor protection, fork lift, rollback truck, etc).				
5	Finished Room Requirements: Rooms that will contain equipment, including storage areas not in scan suite, are dust free. Provisions taken to maintain a dust free room. Precautions must be taken to prevent dust from entering rooms containing equipment when construction is incomplete in adjacent areas. All walls, primed (final coat not needed on Day 3). No contractor work being done during or after the installation that will cause dust in the installation areas or potential equipment damage. Room security to prevent unauthorized access and theft has been discussed with customer. The customer is aware of these security issues, implications and responsibility. For Storage: Room must meet PIM requirements for storage.				
5	Electrical Requirements: Main Disconnect Panel (MDP) is installed and system power is available. Conduits, electrical cable ducting/dividers/cable trays, and access flooring is installed in proper location and height. Surface floor dust and load-side wires can be installed at time of system installation.				
5	HVAC Requirements: The HVAC/Chilled Water systems designed to maintain the environment are running and appear to provide the desired environmental conditions (temperature and humidity) for system operation.				
5	Flooring Requirements: Floor is clean and prepared for final floor covering. Floor levelness/flatness is measured and within tolerance, and there are no visible defects per GEHC specifications.				
5	Ceiling Requirements: Uni strut (or equivalent) location, levelness and spacing is measured (or vendor confirmed) and consistent with the requirement of the installation drawings. Ceiling grid is installed. Permanent lighting is installed and operational. HVAC diffusers are installed and connected to ductwork. Ceiling ties installed per PIM discretion.				

This drawing is based on Sketch No.: 9-24f  
PIM R5 RQ - 135781

**GE Healthcare**

IS Services Design Center  
Milwaukee, Wisconsin  
Copyright © 2009 General Electric Company - Proprietary to GE

SHEET TITLE: SITE READINESS  
MODALITY TYPE: SENOGRAPHE 2000D

THIS PLAN IS SUBMITTED TO SURGEST LOCATION OF GE HEALTHCARE EQUIPMENT AND ASSOCIATED APPARATUS, ELECTRICAL WIRING DETAILS AND ROOM ARRANGEMENTS. IN PREPARING THIS PLAN, EVERY EFFORT HAS BEEN MADE TO CONFORM TO ALL LOCAL, STATE AND FEDERAL REGULATIONS AND REQUIREMENTS. THE USER OF THIS PLAN SHALL BE RESPONSIBLE FOR ANY CONSTRUCTION ERRORS, OMISSIONS AND THE COMPANY CANNOT ACCEPT RESPONSIBILITY FOR ANY DAMAGES RESULTING THEREFROM.

PROJECT TITLE:  
**GEHC DESIGN CENTER**  
BROOKFIELD, WISCONSIN

PROJECT	REVISION
9-24f	01
DATE: 03 Jun. 13	
DRAWN BY: KMR	
CHECKED BY: CPC	

REVISION HISTORY:


SHEET  
**C1**

**GE EQUIPMENT LISTING**

EQUIPMENT ON ORDER FROM GE HEALTHCARE, INSTALLED BY GE HEALTHCARE, PER : NEITHER A QUOTE OR GON WAS ISSUED AT THE DATE OF THESE DRAWINGS

NOTE: LOCAL CONDITIONS MAY DICTATE THAT ITEMS IDENTIFIED IN THIS CATEGORY BE INSTALLED BY OTHERS.

ITEM NO.	QUANTITY ORDERED	REFER TO SHEET "D"	ITEM DESCRIPTION (* = EXISTING/REINSTALL)	WEIGHT	HEAT OUTPUT (PER HOUR)	DETAIL NO.	STRC PLAN	ELEC PLAN
1	1		DBI IMAGING TABLE MODEL 7407	315 lbs				
2	1		MAMMO ACCESSORIES STORAGE CABINET	48 lbs		-E6315T		
3	1		UPS SYSTEM	68 lbs	955 btu	B7120A		S
4	1		CAD OPTION	33 lbs	955 btu	B7120		C
5	1		REVIEW WORKSTATION	134 lbs	2590 btu	M1011AW		C
6	1		MAMMOGRAPHY AND BIOPSY CHAIR	160 lbs		B7123		
7	1		ACCESSORY STORAGE RACK	110 lbs		B7107		S
8	1		STEREOTIX CONSOLE	13 lbs		B7106		DC1
9	1		SENODRAPHE 2000D GENERATOR CABINET	352 lbs		B7119		XG
10	1		SENODRAPHE MAMMOGRAPHY GANTRY	634 lbs	9754 btu	B7103		C
11	1		SENODRAPHE CONTROL CONSOLE WITH RAD SHIELD SCREEN	154 lbs		B7105		DC
12	1		AWS CART	507 lbs		B7115		C

THE FOLLOWING ITEMS, WHICH HAVE BEEN ORDERED FROM GE HEALTHCARE, ARE TO BE INSTALLED BY THE CUSTOMER OR HIS CONTRACTOR.

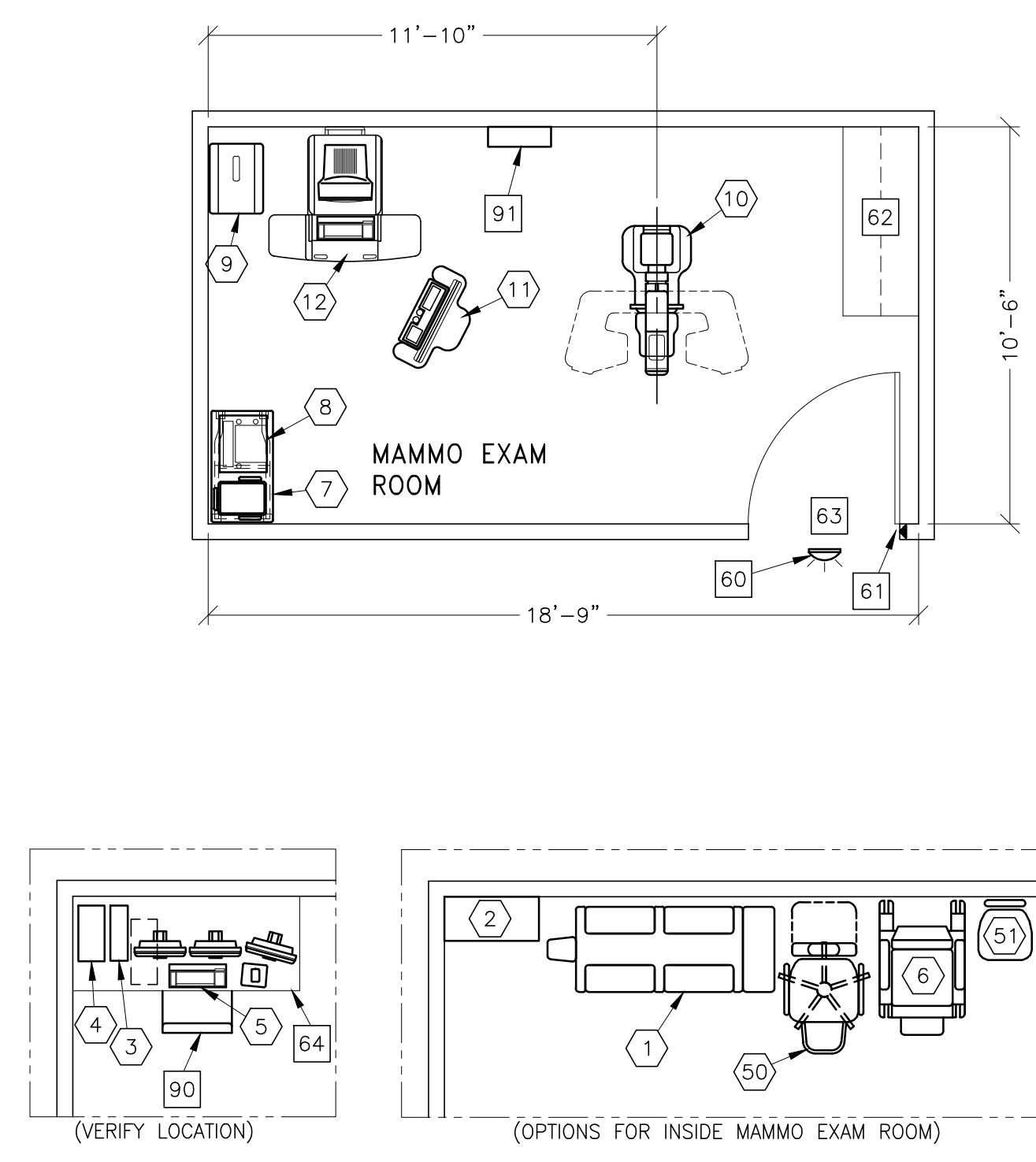
50	1		DELUXE RECLINING CHAIR (CAT NO E6315HB)					
51	1		HYDRAULIC CHAIR					

**EQUIPMENT LAYOUT** SCALE: 1/4" = 1'-0" RECOMMENDED CEILING HEIGHT = 8'-0"

This equipment layout indicates the placement and interconnection of the indicated equipment components. There may be federal, state, and/or local requirements that could impact the placement of these components. It remains the Customer's responsibility for ensuring the site and final equipment placement complies with all applicable federal, state, and/or local requirements.

**IMPORTANT CUSTOMER READINESS ALERT:**

FOR ANALOG SYSTEMS A STABLE FILM PROCESSOR IS REQUIRED, H&D CURVES WITHIN THE MANUFACTURER'S SPECIFICATIONS FOR FILM, PROCESSING AND CHEMICALS. FOR DIGITAL SYSTEMS A LASERCAMERA IS REQUIRED. WITHOUT THIS, EXTENSIVE, UNWANTED DELAYS WILL OCCUR. PLEASE MAKE EVERY EFFORT TO ENSURE THAT THESE REQUIREMENTS ARE MET BEFORE THE SCHEDULED DELIVERY OF YOUR MAMMOGRAPHY SYSTEM.



**ANCILLARY ITEMS**

**CUSTOMER/CONTRACTOR SUPPLIED AND INSTALLED ITEMS**

ITEM NO.	ITEM DESCRIPTION (* INDICATES EXISTING)
60	X-RAY ON WARNING LIGHT - AVAILABLE FROM GE SUPPLY CALL: 800-200-9760 GE CAT. NO. WXIABWV-DF-XIU-24(LED) (NEEDED ONLY IF REQUIRED BY STATE/LOCAL CODES)
61	DOOR LIMIT SWITCH (NEEDED ONLY IF REQUIRED BY STATE/LOCAL CODES)
62	COUNTER TOP WITH BASE AND WALL CABINETS
63	MINIMUM DOOR OPENING FOR EQUIPMENT DELIVERY IS 24 IN. W X 77 IN. H (610mm x 1956mm), CONTINGENT ON A 60 IN. (1524mm) CLEAR DOOR WIDTH
64	COUNTER TOP FOR EQUIPMENT

THE FOLLOWING ITEMS ARE AVAILABLE FROM GE HEALTHCARE TECHNOLOGIES. CONTACT YOUR LOCAL GE HEALTHCARE SERVICE REPRESENTATIVE FOR PRICING AND AVAILABILITY.

90	OPERATORS CHAIR
91	MAIN DISCONNECT CONTROL, WALL MOUNTED GEMS CAT. NO. E4502EE, 65 lbs. SEE DETAIL R4502EE.

**GENERAL SPECIFICATIONS**

- THE REQUIRED CEILING HEIGHT INDICATED ON THESE PLANS IS TO ENSURE EQUIPMENT FUNCTION IS NOT INHIBITED. CONSULT WITH YOUR LOCAL GEHC SPECIALIST REGARDING ACCEPTABILITY OF OTHER CEILING HEIGHTS.
- CHECK ALL DOOR OPENINGS AND HALLWAYS FROM DELIVERY LOCATION TO WHERE EQUIPMENT IS TO BE INSTALLED TO ENSURE THE ROUTE PHYSICALLY AND STRUCTURALLY WILL ACCOMMODATE THE EQUIPMENT AS SHIPPED.
- RADIATION PROTECTION REQUIREMENTS ARE NOT INDICATED ON THIS PLAN. WHERE NEEDED PER NATIONAL OR LOCAL CODE THEY SHALL BE SPECIFIED BY A QUALIFIED RADIOLOGICAL PHYSICIST.
- THE DEVELOPMENT OF THE EQUIPMENT LAYOUT, ROOM DIMENSIONS, MECHANICAL AND ELECTRICAL SUGGESTIONS IS PREDICATED UPON THE BEST INFORMATION OBTAINABLE FROM THE SITE, COUPLED WITH THE CUSTOMER'S KNOWN DESIRES. ARCHITECTURAL OR ELECTRICAL CHANGES INCLUDING RELOCATION OF EQUIPMENT ILLUSTRATED ON THIS DRAWING IS ALLOWED ONLY WITH NOTIFICATION, IN WRITING, AND REVIEW BY GEHC SERVICE DEPARTMENT. EQUIPMENT OPERATION, SERVICEABILITY, AND RESTRICTING CABLE LENGTHS, ETC., MAKE THIS ESSENTIAL FOR A PROPER IS. GEHC RESERVES THE RIGHT TO MAKE ON THE JOB CHANGES BECAUSE OF CUSTOMER REQUIREMENTS AND/OR OBSTACLES IN CONSTRUCTION, ETC..
- ALL WORK TO BE IN COMPLIANCE WITH NATIONAL AND LOCAL BUILDING SAFETY CODES.
- DIMENSIONS ARE TO FINISHED SURFACES OF ROOM.

**SITE ENVIRONMENT SPECIFICATIONS**

- AMBIENT OPERATING TEMPERATURE: 59°F (15°C) TO 75°F (24°C), MAXIMUM ALLOWABLE TEMPERATURE CHANGE OF 15°F (9°C)/HOUR.
- HUMIDITY: 10 TO 80 PERCENT NON-CONDENSING, MAXIMUM ALLOWABLE CHANGE OF 10 PERCENT/HOUR.
- ALTITUDE: NOT TO EXCEED 9840 FT. ABOVE SEA LEVEL.
- THE ENVIRONMENT FOR THE SENODRAPHE MUST BE CONTROLLED SO THE ABOVE RESTRICTIONS ARE NOT EXCEEDED.

**MAGNETIC INTERFERENCE SPECIFICATIONS**

- MAMMOGRAPHY EQUIPMENT MUST BE LOCATED IN AMBIENT STATIC MAGNETIC FIELDS OF LESS THAN 10 GAUSS TO GUARANTEE SPECIFIED PERFORMANCE.

GE Healthcare  
IS Services Design Center  
Manufacturer, Wisconsin

SHEET TITLE: EQUIPMENT LAYOUT  
MODALITY TYPE: SENODRAPHE 2000D  
THIS PLAN IS SUBMITTED TO SURVEY LOCATION OF GE HEALTHCARE EQUIPMENT AND ASSOCIATED ELECTRICAL WIRING DETAILS AND ROOM ARRANGEMENTS. IN PREPARING THIS PLAN, EVERY EFFORT HAS BEEN MADE TO CONFORM DETAILS TO THE ACTUAL CONSTRUCTION PURPOSES, DIMENSIONS AND THE COMPANY CANNOT ACCEPT RESPONSIBILITY FOR ANY DAMAGES RESULTING THEREFROM.

PROJECT TITLE:  
**GEHC DESIGN CENTER**  
BROOKFIELD, WISCONSIN

PROJECT: 9-24f  
REVISION: 01  
DATE: 03.Jun.13  
DRAWN BY: KMR  
CHECKED BY: CPC

REVISION HISTORY:

SHEET  
**A1**

Drawn by: KATHY RECKERT Octel no.: 5603730  
GE Installation  
Project Manager: DENNIS HOPPER  
Telephone no.: 262-597-3743

TYPICAL WALL SUPPORT ELEVATIONS

SCALE: 1/4" = 1'-0"

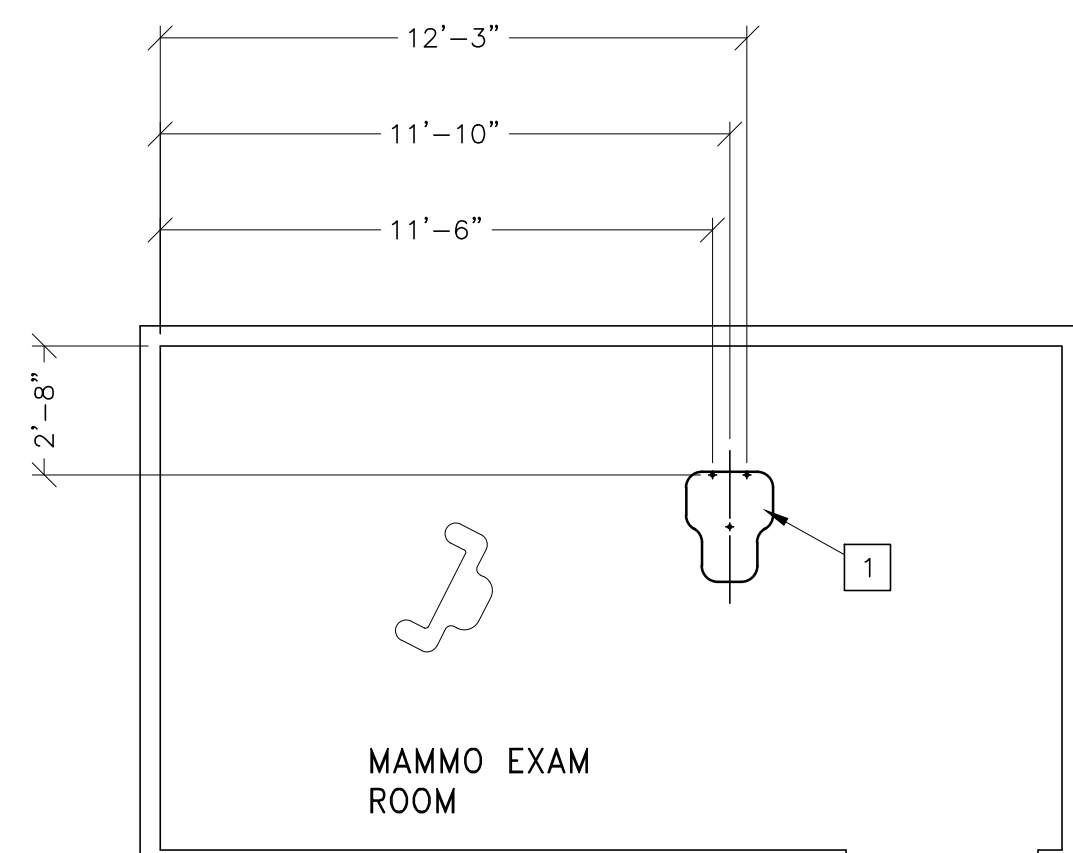
STRUCTURAL LAYOUT

RECOMMENDED CEILING HEIGHT = 8'-0"

STRUCTURAL SUPPORT METHODS

CUSTOMER/CONTRACTOR SUPPLIED AND INSTALLED ITEMS

ITEM NO.	ITEM DESCRIPTION (* INDICATES EXISTING)
1	SENOGRAPHE GANTRY BASEPLATE AREA SENOGRAPHE 2000 Seismic Zone ANCHORING HARDWARE (WHERE APPLICABLE) ----- (GANTRY) ANCHORS = Hilti KB3 - 1/2 x 5.5 in. (4 ea.) (GENERATOR) ANCHORS = Hilti KB3 - 3/8 x 3.75 in. (4 ea.) (GENERATOR) BELTS = 3/8 x 1 in. A307 Bolts (4 ea.) (GENERATOR) BRACKETS = 3 x 5 x 10 in. Angle Brackets (2 ea.) (RAD SHIELD) ANCHORS = Hilti KB3 - 3/8 x 3.75 in. (3 ea.) ALL ANCHORS TO INCLUDE 1 FLATWASHER ALL BOLTS TO INCLUDE 2 FLATWASHERS, 1 LOCKWASHER AND 1 NUT.



STRUCTURAL NOTES

- METHODS OF SUPPORT FOR THE STEELWORK THAT WILL PERMIT ATTACHMENT TO STRUCTURAL STEEL OR THROUGH BOLTS IN CONCRETE CONSTRUCTION SHOULD BE FAVORED. DO NOT USE CONCRETE OR MASONRY ANCHORS IN DIRECT TENSION.
- ALL UNITS THAT ARE WALL MOUNTED OR WALL SUPPORTED ARE TO BE PROVIDED WITH SUPPORTS WHERE NECESSARY. WALL SUPPORTS ARE TO BE SUPPLIED AND INSTALLED BY THE CUSTOMER OR HIS CONTRACTORS. SEE PLAN AND DETAIL SHEETS FOR SUGGESTED LOCATIONS AND MOUNTING HOLE LOCATIONS.
- ALL CEILING MOUNTED FIXTURES, AIR VENTS, SPRINKLERS, ETC. TO BE FLUSH MOUNTED, OR SHALL NOT EXTEND MORE THAN 6,35mm (1/4") BELOW THE FINISHED CEILING.
- FLOOR SLABS ON WHICH EQUIPMENT IS TO BE INSTALLED MUST BE LEVEL TO 3,17mm (1/8") IN 3050mm (10'-0")
- DIMENSIONS ARE TO FINISHED SURFACES OF ROOM.
- CUSTOMERS CONTRACTOR MUST PROVIDE ALL PENETRATIONS IN POST TENSION FLOORS.
- CUSTOMERS CONTRACTOR MUST PROVIDE AND INSTALL ANY NON-STANDARD ANCHORING. DOCUMENTS FOR STANDARD ANCHORING METHODS ARE INCLUDED WITH GE EQUIPMENT DRAWINGS FOR GEOGRAPHIC AREAS THAT REQUIRE SUCH DOCUMENTATION.
- CUSTOMERS CONTRACTOR MUST PROVIDE AND INSTALL HARDWARE FOR "THROUGH THE FLOOR" ANCHORING AND/OR ANY BRACING UNDER ACCESS FLOORS. THIS CONTRACTOR MUST ALSO PROVIDE FLOOR DRILLING THAT CANNOT BE COMPLETED BECAUSE OF AN OBSTRUCTION ENCOUNTERED WHILE DRILLING BY THE GE INSTALLER SUCH AS REBAR ETC.
- IT IS THE CUSTOMER'S RESPONSIBILITY TO PERFORM ANY FLOOR OR WALL PENETRATIONS THAT MAY BE REQUIRED. THE CUSTOMER IS ALSO RESPONSIBLE FOR ENSURING THAT NO SUBSURFACE UTILITIES (E.G., ELECTRICAL OR ANY OTHER FORM OF WIRING, CONDUITS, PIPING, DUCT WORK OR STRUCTURAL SUPPORTS (I.E. POST TENSION CABLES OR REBAR)) WILL INTERFERE OR COME IN CONTACT WITH SUBSURFACE PENETRATION OPERATIONS (E.G. DRILLING AND INSTALLATION OF ANCHORS/SCREWS) PERFORMED DURING THE INSTALLATION PROCESS. TO ENSURE WORKER SAFETY, GE INSTALLERS WILL PERFORM SURFACE PENETRATION OPERATIONS ONLY AFTER THE CUSTOMER'S VALIDATION AND COMPLETION OF THE "GE SURFACE PENETRATION PERMIT"

**GE Healthcare**  
 IS Services Design Center  
 Milwaukee, Wisconsin

SHEET TITLE: **STRUCTURAL LAYOUT**  
 MODALITY TYPE: **SENOGRAPHE 2000**  
 THIS PLAN IS SUBMITTED TO SURVEY LOCATION OF GE HEALTHCARE EQUIPMENT AND ASSOCIATED APPARATUS, ELECTRICAL WIRING DETAILS AND ROOM ARRANGEMENTS. IN PREPARING THIS PLAN, EVERY EFFORT HAS BEEN MADE TO CONFORM DETAILS TO THE MANUFACTURER'S DRAWINGS AND TO THE LOCAL AND STATE BUILDING CODES. THE COMPANY ACCEPTS NO LIABILITY FOR ANY DAMAGES RESULTING FROM THE USE OF THIS PLAN FOR ANY PURPOSES OTHER THAN THE INTENDED PURPOSES AND THE COMPANY CANNOT ACCEPT RESPONSIBILITY FOR ANY DAMAGES RESULTING THEREFROM.

PROJECT TITLE:  
**GEHC DESIGN CENTER**  
 BROOKFIELD, WISCONSIN

PROJECT	REVISION
9-24f	01

DATE: 03.Jun.13  
 DRAWN BY: KMR  
 CHECKED BY: CPC

REVISION HISTORY:


SHEET  
**S1**

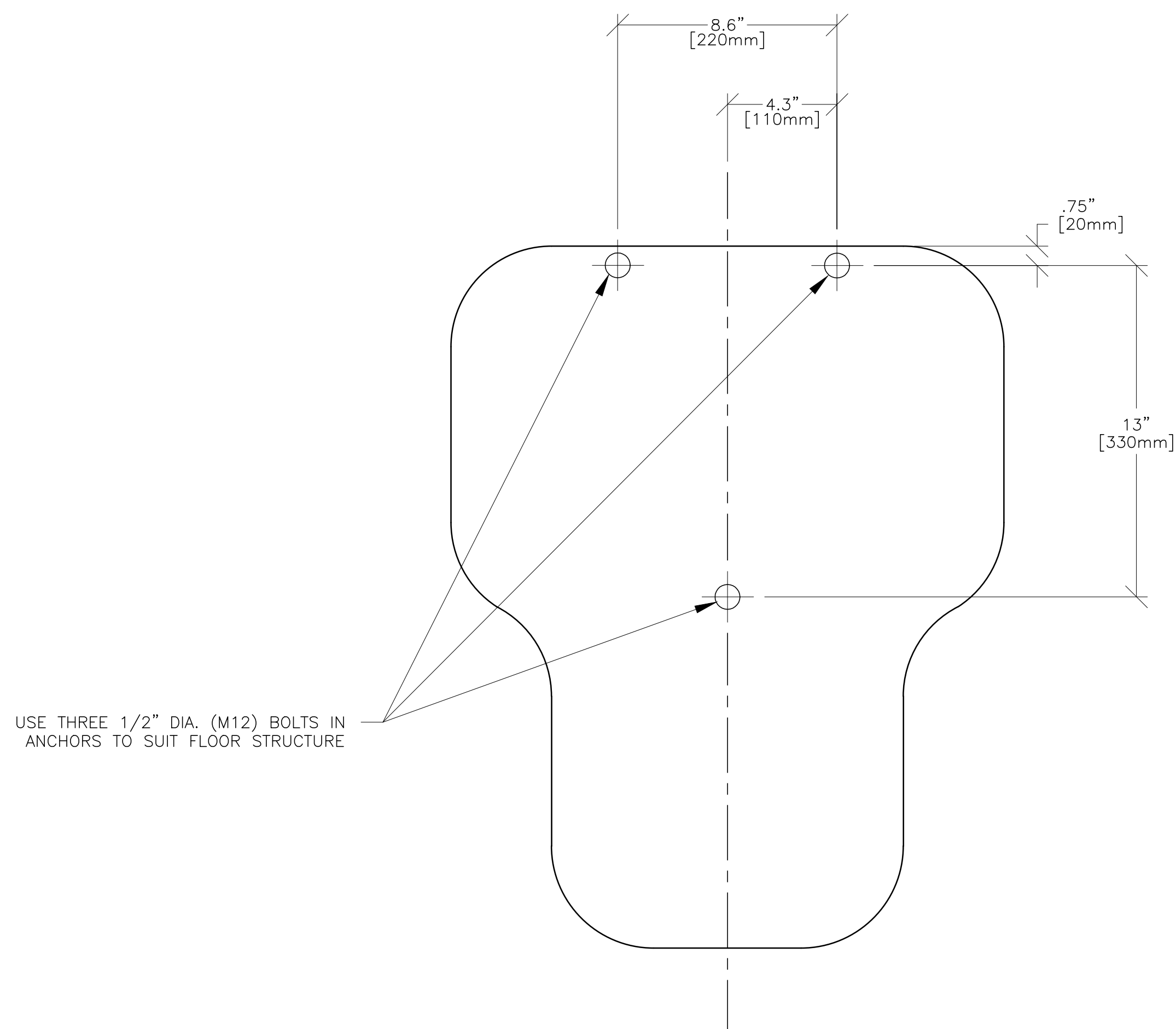
Drawn by: KATHY RECKERT Octel no.: 5603730  
 GE Installation  
 Project Manager: DENNIS HOPPER  
 Telephone no.: 262-597-3743

This drawing is based on Sketch No.: 9-24f  
 PIM R5  
 RQ - 135781

FLOOR MOUNTING DETAIL: SENOGRAPHE DMR INSTALLATION METHODS

B7103A

REV. DATE: 06/26/96



GECGR PROVIDES:

- 3 SCREWS, 3/8" DIA., 3 5/32" LONG (10 x 80mm)
- MAXIMUM PULL STRENGTH ON EACH BOLT: 1102 lbs. (500 dAN)

INSERTS FOR THESE SCREWS ARE TO BE CUSTOMER SUPPLIED.

DETAIL NOT TO SCALE

This drawing is based on Sketch No.: 9-24f

PIM R5

RQ - 135781

SHEET TITLE: STRUCTURAL DETAILS  
MODALITY TYPE: SENOGRAPHE 2000D


THIS PLAN IS SUBMITTED TO SURVEY LOCATION OF GE HEALTHCARE EQUIPMENT AND ASSOCIATED APPARATUS, ELECTRICAL WIRING DETAILS AND ROOM ARRANGEMENTS. IN PREPARING THIS PLAN, EVERY EFFORT HAS BEEN MADE TO CONFORM DETAILS TO THE ACTUAL CONSTRUCTION PURPOSES. HOWEVER, AND THE COMPANY CANNOT ACCEPT RESPONSIBILITY FOR ANY DAMAGES RESULTING THEREFROM.

PROJECT TITLE:  
GEHC DESIGN CENTER  
BROOKFIELD, WISCONSIN

PROJECT	REVISION
9-24f	01
DATE:	03.Jun.13
DRAWN BY:	KMR
CHECKED BY:	CPC

REVISION HISTORY:  
\_\_\_\_\_  
\_\_\_\_\_  
\_\_\_\_\_

SHEET  
S2

 **GE Healthcare**  
IS Services Design Center  
Milwaukee, Wisconsin

SCALE: 1/4" = 1'-0"

ELECTRICAL PLAN

RECOMMENDED CEILING HEIGHT = 8'-0"

JUNCTION POINT DESCRIPTIONS



**FEEDER TABLE** REV. DATE: 03/08/04

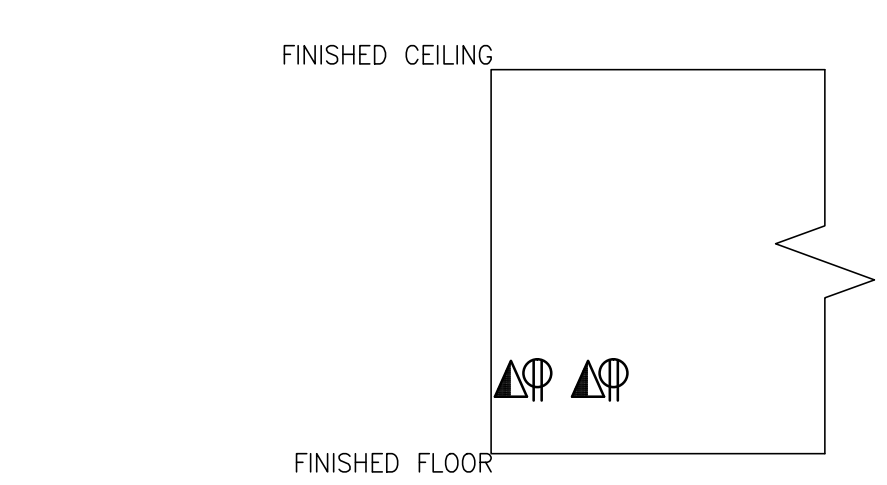
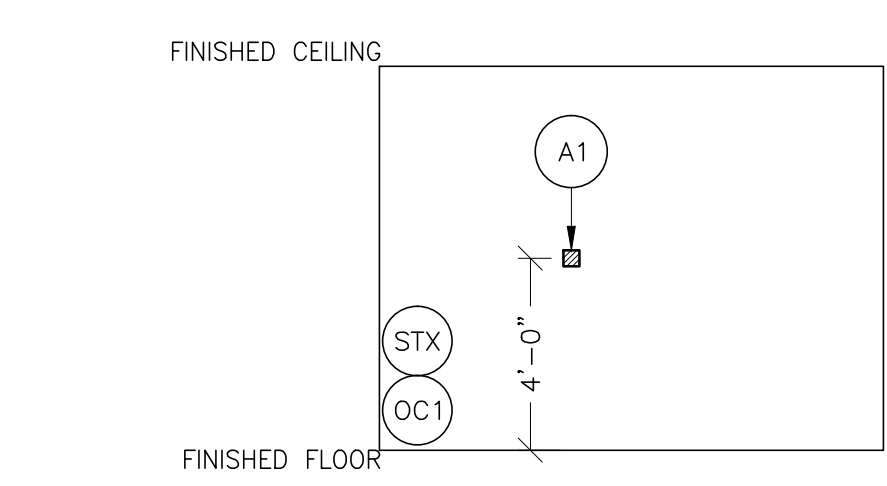
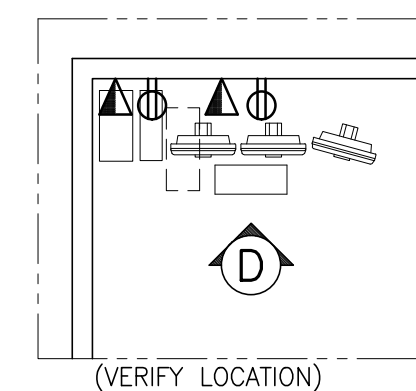
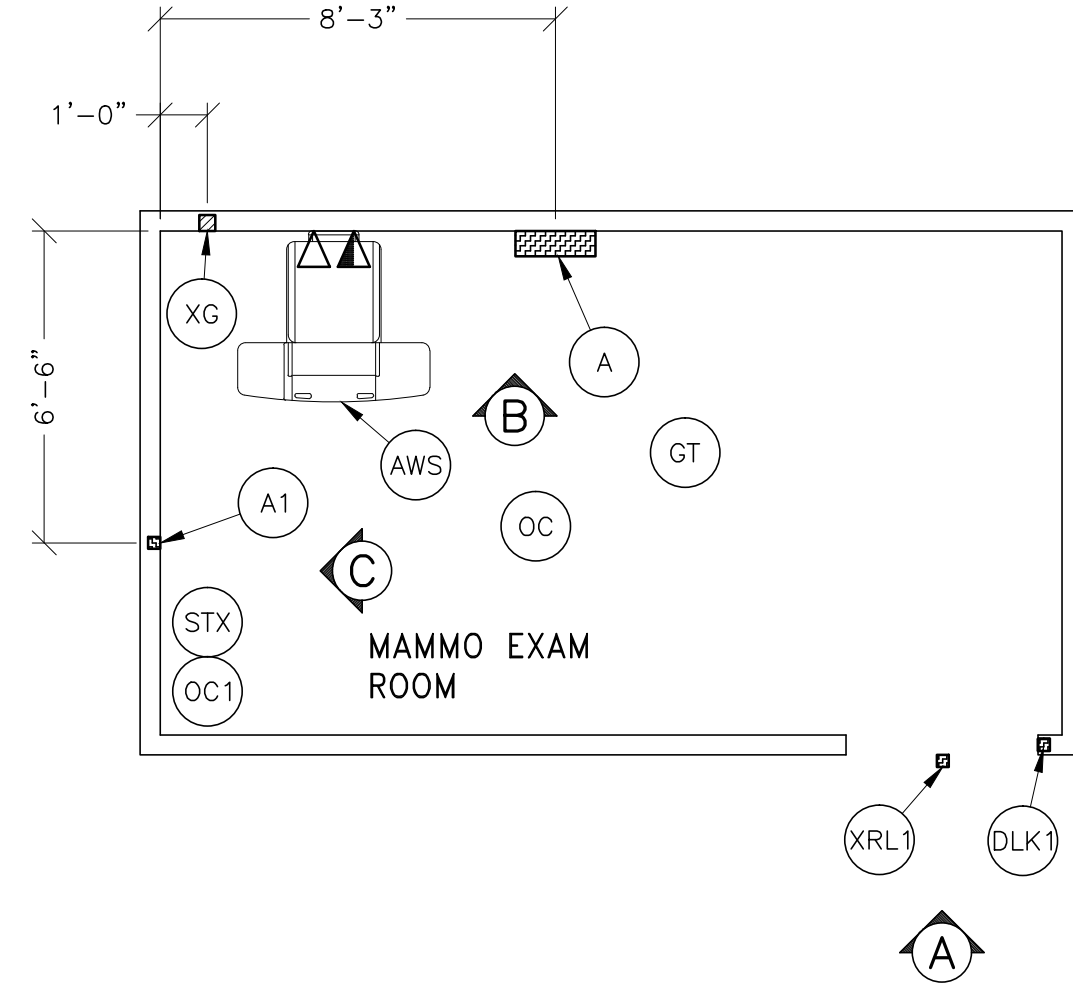
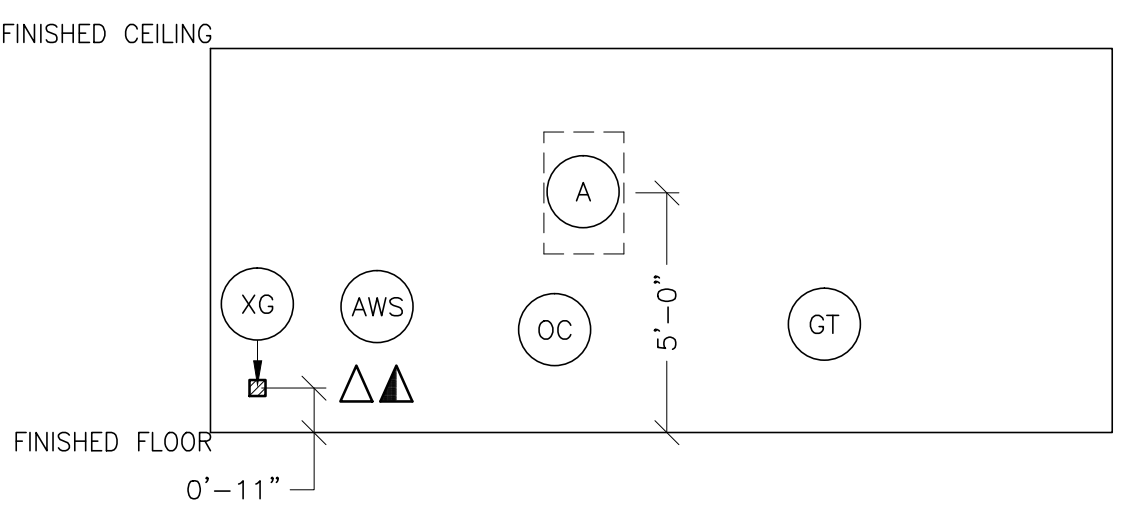
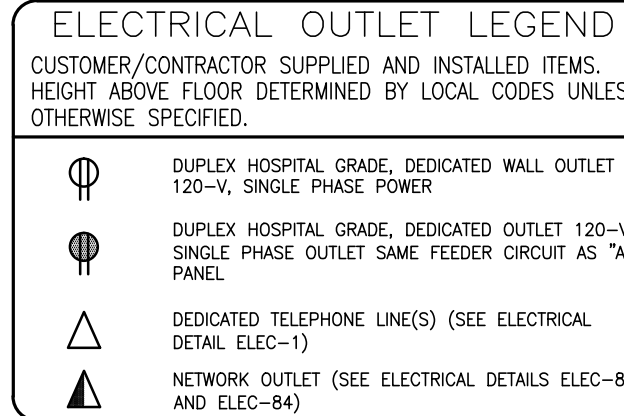
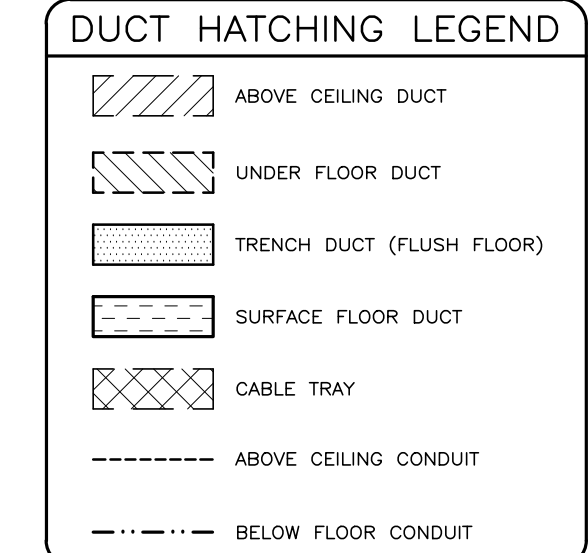
\* CALCULATIONS BASED UPON NOMINAL VOLTAGE, WIRE SIZE IN AWG.  
 \* RECOMMENDED FEEDER SIZES FROM DISTRIBUTION TRANSFORMER TO THE POWER CABINET  
 \* NEUTRAL MUST BE TERMINATED INSIDE THE MAIN DISCONNECT PANEL AND NOT AT ANY GE CABINET.  
 \* THE GROUNDING CONDUCTOR WILL BE OF SAME SIZE AS THE FEEDER WIRES. THIS GROUND WILL RUN FROM THE EQUIPMENT BACK TO THE FACILITY POWER SOURCE/MAIN GROUNDING POINT AND ALWAYS TRAVEL IN THE SAME CONDUIT WITH THE FEEDERS AND NEUTRAL.  
 \* IF THE GENERAL ELECTRIC EQUIPMENT IS BEING FED BY A SECONDARY, IT IS RECOMMENDED THAT THE B PHASE ON THE SECONDARY BE CONNECTED TO GROUND TO PREVENT DAMAGE TO THE SYSTEM.  
 \* FOR A FULL SYSTEM UPS, REFER TO ELECTRICAL DETAILS FOR UPS FEEDER WIRES.  
 \* MINIMUM WIRE SIZE FOR CIRCUIT BREAKER, BASED ON RECOMMENDED OVERCURRENT PROTECTION.  
**NOTE: ALL WIRE IMPEDANCES MUST BE 0.2 OHMS OR LESS**

RUN LENGTH IN FEET	POWER SUPPLY VOLTAGE			
	180-220 200	187-229 208	198-242 220	216-264 240
	SIZE OF FEEDERS AND GROUND WIRES (AWG)			
50	10	10	10	* 10
100	6	8	8	8
150	4	6	6	6
200	4	4	4	6
250	3	3	4	4
300	2	2	3	4
350	1	2	2	3
400	1	1	2	2
450	1/0	1/0	1	2

- JUNCTION POINT NOTES**
- ALL JUNCTION BOXES, CONDUIT, DUCT, DUCT DIVIDERS, SWITCHES, CIRCUIT BREAKERS, ETC., ARE TO BE SUPPLIED AND INSTALLED BY CUSTOMER'S ELECTRICAL CONTRACTOR.
  - CONDUIT AND DUCT RUNS SHALL HAVE SWEEP RADIUS BENDS
  - CONDUITS AND DUCT ABOVE CEILING OR BELOW FINISHED FLOOR MUST BE INSTALLED AS NEAR TO CEILING OR FLOOR AS POSSIBLE TO REDUCE RUN LENGTH.
  - CEILING MOUNTED JUNCTION BOXES ILLUSTRATED ON THIS PLAN MUST BE INSTALLED FLUSH WITH FINISHED CEILING.
  - ALL DUCTWORK MUST MEET THE FOLLOWING REQUIREMENTS:
    - DUCTWORK SHALL BE METAL WITH DIVIDERS AND HAVE REMOVABLE, ACCESSIBLE COVERS.
    - DUCTWORK SHALL BE CERTIFIED/RATED FOR ELECTRICAL POWER PURPOSES.
    - DUCTWORK SHALL BE ELECTRICALLY AND MECHANICALLY BONDED TOGETHER IN AN APPROVED MANNER.
    - PVC AS A SUBSTITUTE MUST BE USED IN ACCORDANCE WITH ALL LOCAL AND NATIONAL CODES.
  - ALL OPENINGS IN ACCESS FLOORING ARE TO BE CUT OUT AND FINISHED OFF WITH GROMMET MATERIAL BY THE CUSTOMER'S CONTRACTOR.
  - GENERAL CONTRACTOR TO INSERT PULL CORDS FOR ALL CABLE RUN CONDUITS BETWEEN THE EQUIPMENT ROOM AND THE OPERATORS CONTROL ROOM.
  - 10 FOOT PIGTAILS AT ALL JUNCTION POINTS.
  - ALL WIRING MUST BE THIN OR TFFN STRANDED COPPER THERMOPLASTIC 600 VOLT OR EQUIVALENT INSULATION. **ALUMINUM OR SOLID WIRES ARE NOT ALLOWED.**
  - GROUNDING IS CRITICAL TO EQUIPMENT FUNCTION AND PATIENT SAFETY. SITE MUST CONFORM TO WIRING SPECIFICATIONS SHOWN ON THIS PLAN.

POINT	DESCRIPTION	QTY.	THE FOLLOWING MATERIALS ARE TO BE SUPPLIED AND INSTALLED BY THE CUSTOMER'S ELECTRICAL CONTRACTOR	
			HARDWARE	DETAIL NO., SHT. E3
A	MAIN DISCONNECT * AVAILABLE FROM GEHC CALL: 800-558-5102 OR LOCAL PROJECT MGR.	1	30 AMP FUSED DISCONNECT AND MAGNETIC CONTACTOR GEMS CAT. NO. E4502EE 1' PUSHBUTTON AND COVER INCLUDED.	
A1	EMERGENCY OFF	1	PROVIDE A SINGLE GANG, 2 1/8 IN. DEEP, FLUSH MTD. WALL BOX.	ELEC-16
AWS	AWS CART	1	EXTERNALLY CONNECTED	
DLK1	DOOR SWITCH (NEEDED ONLY IF REQUIRED BY STATE/LOCAL CODES)	1	DOOR DOOR INTERLOCK LIMIT SWITCH IN FRAME - NORMALLY OPEN (<24V> SINGLE GANG BOX	
GT	GANTRY	1	CONNECT EXTERNALLY TO GENERATOR	
DC	CONTROL CONSOLE	1	CONNECT EXTERNALLY TO GENERATOR	
OC1	STEREOTIX CONSOLE	1	CONNECT EXTERNALLY TO SENOGRAFHE GANTRY.	
STX	STEREOTIX NEEDLE HOLDER	1	NEEDLE HOLDER MOUNTED ON GANTRY	
XG	GENERATOR	1	COVERPLATE 4 X 4 X 4 IN. BDX 1/2 IN. DIA. CHASE NIPPLE CONNECT EXTERNALLY TO SENOGRAFHE GANTRY.	ELEC-8
XRL1	'X-RAY' ON LIGHT (NEEDED ONLY IF REQUIRED BY STATE/LOCAL CODES) AVAILABLE FROM GEHC. CALL: 800-558-5102 OR LOCAL CE INSTALLATION PROJECT MANAGER	1	SINGLE GANG BOX 'SENOGRAFHE ON' WARNING LIGHT. GEMS CAT. NO. WXTA1BWW-XIU-SD-24V(LED)	

PLEASE SEE BELOW FOR ADDITIONAL REQUIRED CONDUIT RUNS AND SIZES.



**CONDUIT RUNS FOR MAMMOGRAPHY SYSTEM (BY CONTRACTOR)**

TO	FROM	QTY	SIZE
A1	A	ONE	1/2" CND.
XG	A	ONE	1" CND.
POWER	A	ONE	CONDUIT AS REQ'D
XG	XRL1	ONE	1/2" CND.
XG	DLK1	ONE	1/2" CND.

NOTE: SEE E2 PAGE FOR MAXIMUM RUN LENGTHS

Drawn by: KATHY RECKERT Octel no.: 5603730  
 GE Installation  
 Project Manager: DENNIS HOPPER  
 Telephone no.: 262-597-3743

CONTRACTOR SUPPLIED AND INSTALLED WIRING

ELECTRICAL CONTRACTOR SHALL RING OUT AND TAG ALL WIRES AT BOTH ENDS.

WIRE RUN, FROM - TO	QUANTITY, WIRE SIZE/COLOR
A > A1	1-BLACK, 1-WHITE, 1-GREEN - (SIZE AS REQUIRED)
XG > XRL1	1-BLACK, 1-WHITE, 1-GREEN - (SIZE AS REQUIRED)
XG > DLK1	1-BLACK, 1-WHITE, 1-GREEN - (SIZE AS REQUIRED)
208-V > A	2-BLACK, 1-GREEN (REFER TO FEEDER TABLE FOR SIZE)

GE Healthcare  
 IS Services Design Center  
 Milwaukee, Wisconsin

SHEET TITLE: ELECTRICAL LAYOUT  
 MODALITY TYPE: SENOGRAFHE 2000

THIS PLAN IS SUBMITTED TO SUPPORT LOCATION OF GE HEALTHCARE EQUIPMENT AND ASSOCIATED APPARATUS. ELECTRICAL WIRING DETAILS AND ROOM ARRANGEMENTS IN PREPARING THIS PLAN, EVERY EFFORT HAS BEEN MADE TO CONFORM TO ALL APPLICABLE ELECTRICAL CODES AND REGULATIONS. THE USER OF THIS PLAN SHALL BE RESPONSIBLE FOR VERIFYING ALL ELECTRICAL REQUIREMENTS AND THE COMPANY CANNOT ACCEPT RESPONSIBILITY FOR ANY DAMAGES RESULTING THEREFROM.

PROJECT TITLE:  
 GEHC DESIGN CENTER  
 BROOKFIELD, WISCONSIN

PROJECT	REVISION
9-24f	01

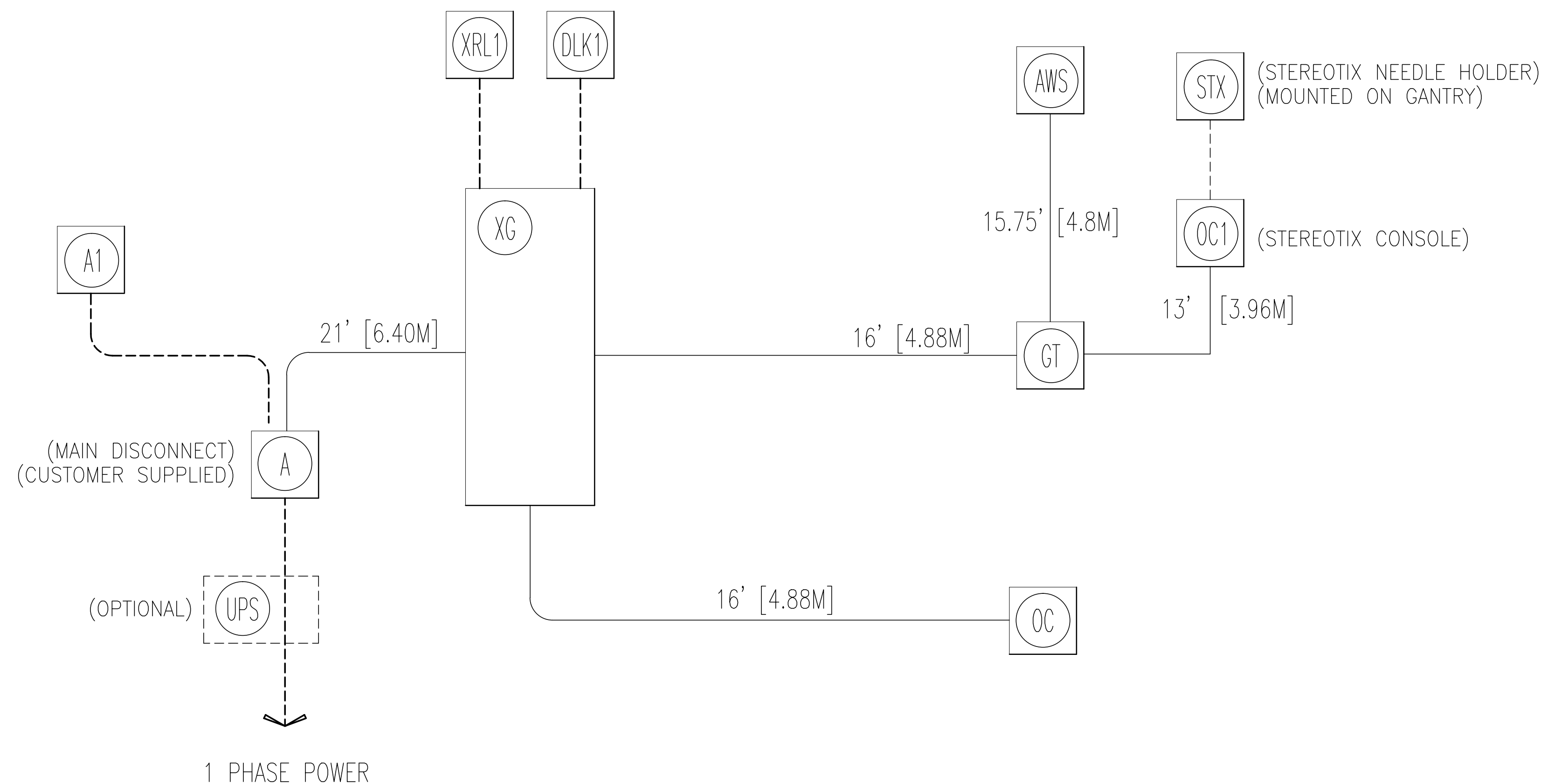
DATE: 03.Jun.13  
 DRAWN BY: KMR  
 CHECKED BY: CPC

REVISION HISTORY:


SHEET  
 E1

This drawing is based on Sketch No.: 9-24f

INTERCONNECT DIAGRAM



POWER SPECIFICATIONS

SENOGRAPHE 2000 D REV. DATE: 04/08/04

VOLTAGE PRIMARY SOURCE IS REQUIRED FOR ALL INSTALLATIONS.  
 RANGE OF LINE VOLTAGES :  
 NOMINAL LINE VOLTAGE OF 200V TO 240V 1 PHASE, 50 OR 60 Hz.

MAXIMUM DAILY VOLTAGE VARIATION MUST FALL WITHIN ONE OF THE RANGES IN TABLE A.

TABLE A ALLOWABLE INPUT VOLTAGES/CURRENT DEMAND

NOMINAL VOLTAGE	NORMAL RANGE ±10 PERCENT	CURRENT (AMPS)	
		MOMENTARY	MINIMUM STANDARD OVERCURRENT PROTECTION
200	180 - 220	45	30-A
208	187 - 229	43	30-A
220	198 - 242	41	30-A
240	216 - 264	38	30-A

MAXIMUM MOMENTARY LINE CURRENTS INDICATED AT MINIMUM LINE VOLTAGE.

POWER DEMAND INSTANTANEOUS MAX. POWER DEMAND = 9 KVA UP TO 6 SECONDS  
 STANDBY POWER DEMAND = 1.5 KVA

TABLE B MAXIMUM MOMENTARY POWER DEMAND.

DEMAND	SENO 2000 D
kVa	9
POWER FACTOR AT	0.61
mA	600
kVp	40

ELECTRICAL NOTES

- NOTE 1: ALL WIRES SPECIFIED SHALL BE COPPER STRANDED, FLEXIBLE, THERMO-PLASTIC, COLOR CODED, CUT 10 FOOT LONG AT OUTLET BOXES, DUCT TERMINATION POINTS OR STUBBED CONDUIT ENDS. ALL CONDUCTORS, POWER, SIGNAL AND GROUND, MUST BE RUN IN A CONDUIT OR DUCT SYSTEM. ELECTRICAL CONTRACTOR SHALL RING OUT AND TAG ALL WIRES AT BOTH ENDS. WIRE RUNS MUST BE CONTINUOUS COPPER STRANDED AND FREE FROM SPLICES. **ALUMINUM OR SOLID WIRES ARE NOT ALLOWED.**
- NOTE 2: WIRE SIZES GIVEN ARE FOR USE OF EQUIPMENT. LARGER SIZES MAY BE REQUIRED BY LOCAL CODES.
- NOTE 3: IT IS RECOMMENDED THAT ALL WIRES BE COLOR CODED, AS REQUIRED IN ACCORDANCE WITH NATIONAL AND LOCAL ELECTRICAL CODES.
- NOTE 4: CONDUIT SIZES SHALL BE VERIFIED BY THE ARCHITECT, ELECTRICAL ENGINEER OR CONTRACTOR, IN ACCORDANCE WITH LOCAL OR NATIONAL CODES.
- NOTE 5: CONVENIENCE OUTLETS ARE NOT ILLUSTRATED. THEIR NUMBER AND LOCATION ARE TO BE SPECIFIED BY OTHERS. LOCATE AT LEAST ONE CONVENIENCE OUTLET CLOSE TO THE SYSTEM CONTROL, THE POWER DISTRIBUTION UNIT AND ONE ON EACH WALL OF THE PROCEDURE ROOM. USE HOSPITAL APPROVED OUTLET OR EQUIVALENT.
- NOTE 6: GENERAL ROOM ILLUMINATION IS NOT ILLUSTRATED. CAUTION SHOULD BE TAKEN TO AVOID EXCESSIVE HEAT FROM OVERHEAD SPOTLIGHTS. DAMAGE CAN OCCUR TO CEILING MOUNTING COMPONENTS AND WIRING IF HIGH WATTAGE BULBS ARE USED. RECOMMEND LOW WATTAGE BULBS NO HIGHER THAN 75 WATTS AND USE DIMMER CONTROLS (EXCEPT MR). DO NOT MOUNT LIGHTS DIRECTLY ABOVE AREAS WHERE CEILING MOUNTED ACCESSORIES WILL BE PARKED.
- NOTE 7: **ROUTING OF CABLE DUCTWORK, CONDUITS, ETC., MUST RUN DIRECT AS POSSIBLE OTHERWISE MAY RESULT IN THE NEED FOR GREATER THAN STANDARD CABLE LENGTHS (REFER TO THE INTERCONNECTION DIAGRAM FOR MAXIMUM USABLE LENGTHS POINT TO POINT).**
- NOTE 8: CONDUIT TURNS TO HAVE LARGE, SWEEPING BENDS WITH MINIMUM RADIUS IN ACCORDANCE WITH NATIONAL AND LOCAL ELECTRICAL CODES.
- NOTE 9: A SPECIAL GROUNDING SYSTEM IS REQUIRED IN ALL PROCEDURE ROOMS BY SOME NATIONAL AND LOCAL CODES. IT IS RECOMMENDED IN AREAS WHERE PATIENTS MIGHT BE EXAMINED OR TREATED UNDER PRESENT, FUTURE, OR EMERGENCY CONDITIONS. CONSULT THE GOVERNING ELECTRICAL CODE AND CONFER WITH APPROPRIATE CUSTOMER ADMINISTRATIVE PERSONNEL TO DETERMINE THE AREAS REQUIRING THIS TYPE OF GROUNDING SYSTEM.
- NOTE 10: THE MAXIMUM POINT TO POINT DISTANCES ILLUSTRATED ON THIS DRAWING MUST NOT BE EXCEEDED.
- NOTE 11: PHYSICAL CONNECTION OF PRIMARY POWER TO GE EQUIPMENT IS TO BE MADE BY CUSTOMERS ELECTRICAL CONTRACTOR WITH THE SUPERVISION OF A GE REPRESENTATIVE. THE GE REPRESENTATIVE WOULD BE REQUIRED TO IDENTIFY THE PHYSICAL CONNECTION LOCATION, AND INSURE PROPER HANDLING OF GE EQUIPMENT.

DIAGRAM KEY

- CUSTOMER/CONTRACTOR SUPPLIED WIRING. ROUTE IN ADEQUATE CONDUIT OR RACEWAY.
- GE FURNISHED CABLE RUNS. ROUTE IN EMPTY CONDUIT OR RACEWAY.
- 59' [18M] MAXIMUM RUN LENGTH BETWEEN JUNCTION POINTS. Feet, [Meters]

SHEET TITLE: ELECTRICAL SPECIFICATIONS  
 MODALITY TYPE: SENOGAPHE 2000 D

THIS PLAN IS SUBMITTED TO SURVEY LOCATION OF GE HEALTHCARE EQUIPMENT AND ASSOCIATED APPARATUS. ELECTRICAL WIRING DETAILS AND ROOM ARRANGEMENTS IN PREPARING THIS PLAN. EVERY EFFORT HAS BEEN MADE TO CONFORM DETAILS TO THE MANUFACTURER'S REQUIREMENTS. THE USER SHALL BE RESPONSIBLE FOR VERIFYING THE ACTUAL CONSTRUCTION DETAILS AND THE COMPANY CANNOT ACCEPT RESPONSIBILITY FOR ANY DAMAGES RESULTING THEREFROM.

PROJECT TITLE:  
 GEHC DESIGN CENTER  
 BROOKFIELD, WISCONSIN

PROJECT	REVISION
9-24f	01

DATE: 03.Jun.13  
 DRAWN BY: KMR  
 CHECKED BY: CPC

REVISION HISTORY:  
 \_\_\_\_\_  
 \_\_\_\_\_  
 \_\_\_\_\_

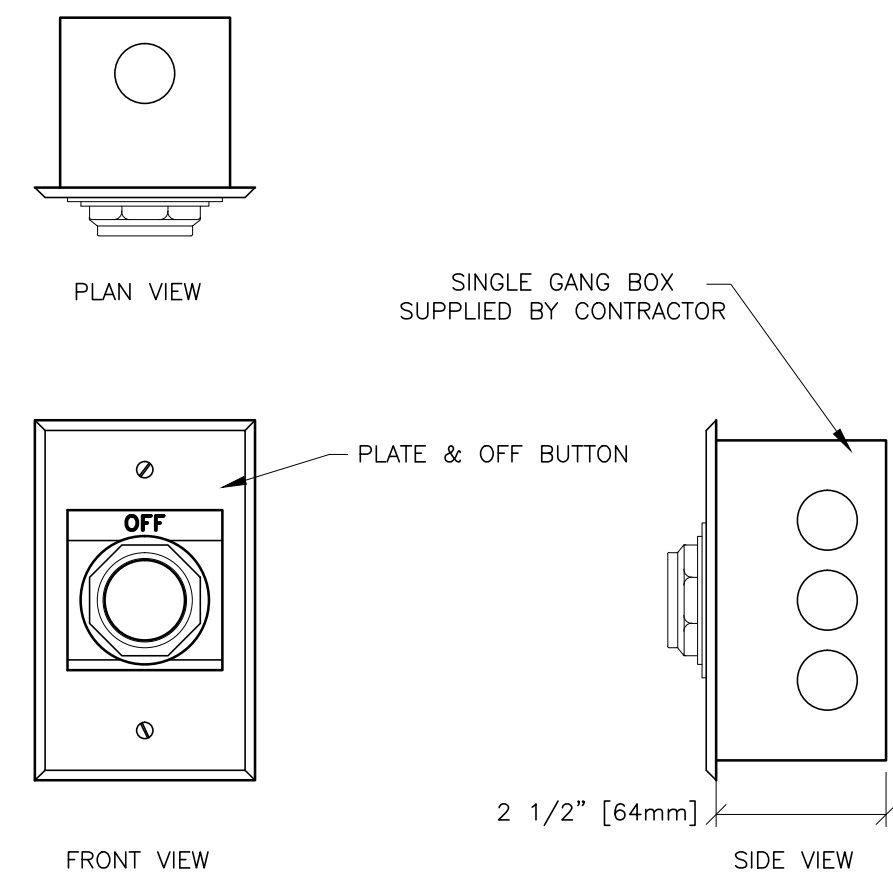
SHEET  
 E2

This drawing is based on Sketch No.: 9-24f PIM R5 RQ - 135781

GE Healthcare  
 IS Services Design Center  
 Milwaukee, Wisconsin

ELECTRICAL DETAIL  
EMERGENCY OFF BUTTON

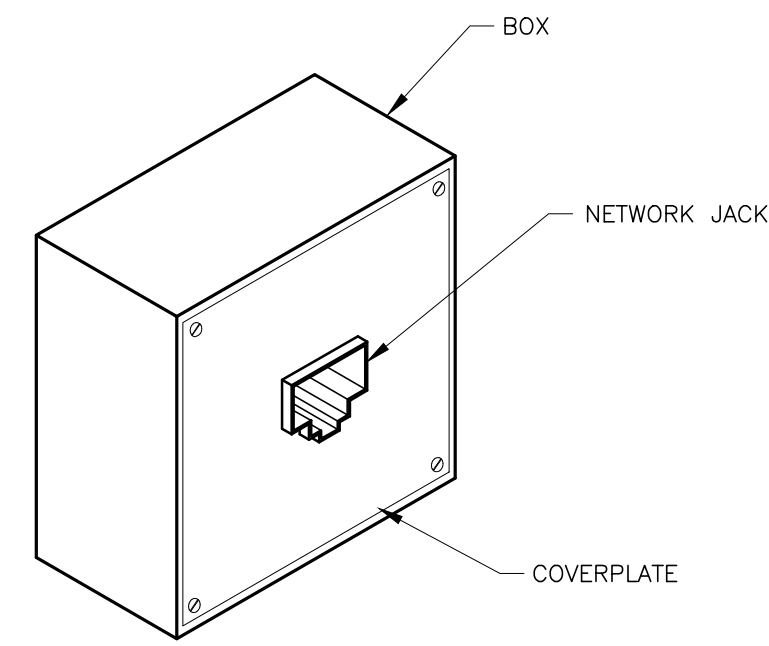
ELEC-16  
REV. DATE: 05/14/09



DETAIL NOT TO SCALE

ELECTRICAL DETAIL  
BOX WITH COVERPLATE AND NETWORK JACK

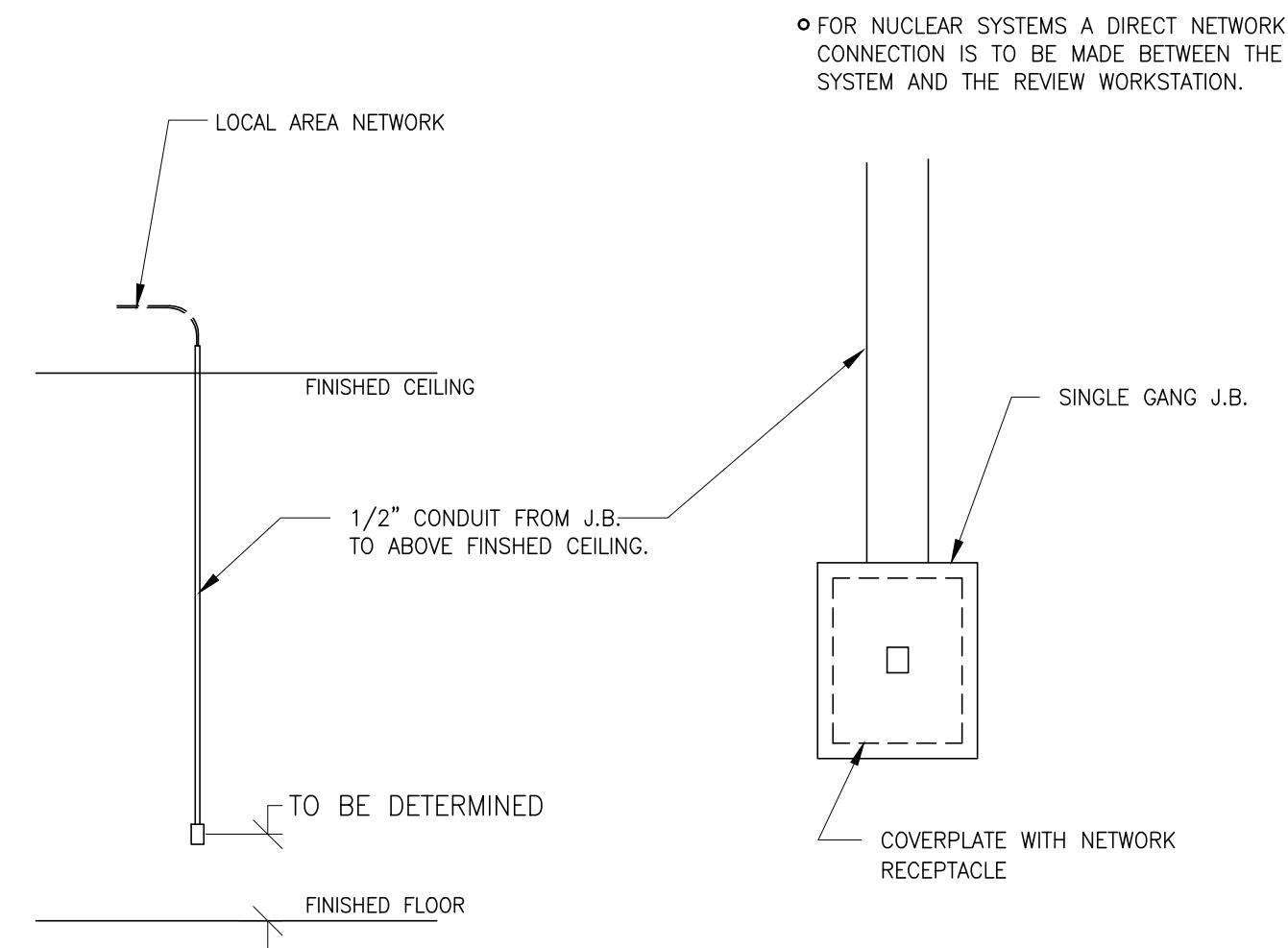
ELEC-83  
REV. DATE: 10/06/98



DETAIL NOT TO SCALE

ELECTRICAL DETAIL  
NETWORK CONNECTION (TYPICAL)

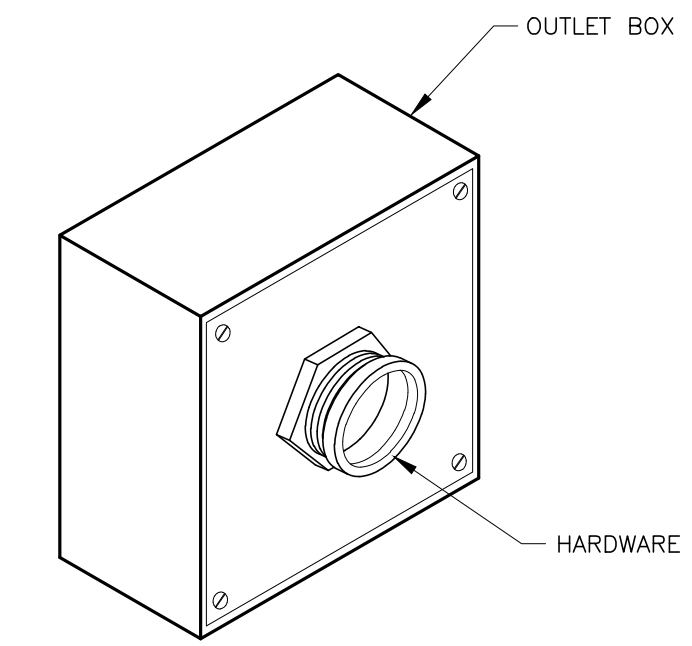
ELEC-84  
REV. DATE: 03/06/04



DETAIL NOT TO SCALE

ELECTRICAL DETAIL  
BOX WITH COVERPLATE (TYPICAL)

ELEC-8  
REV. DATE: 09/30/94



DETAIL NOT TO SCALE

ELECTRICAL DETAIL  
INSITE CONNECTION (TYPICAL)

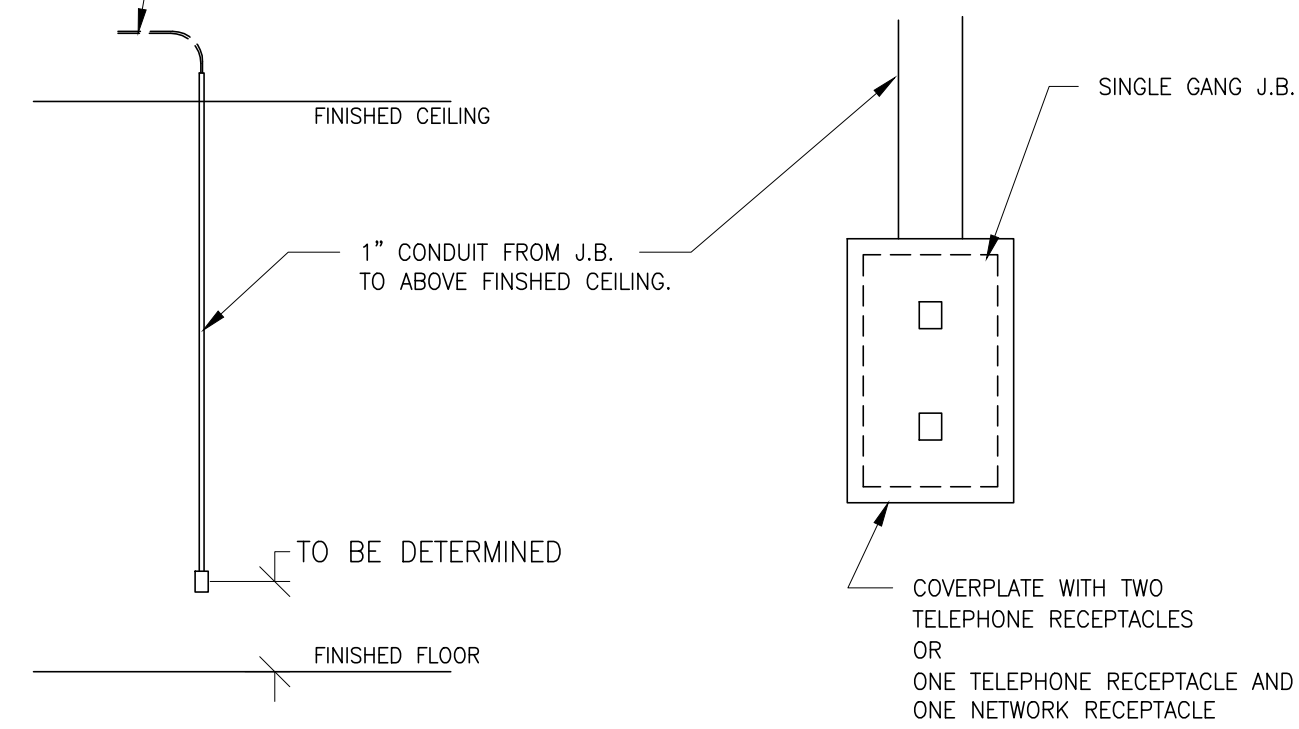
ELEC-1  
REV. DATE: 04/24/02

ONE OF THE FOLLOWING TWO SELECTIONS MUST BE INSTALLED AT THE LOCATION SHOWN ON THE ELECTRICAL PLAN (SHEET E1) FOR GE INSITE CONNECTION BASED UPON SYSTEM CONFIGURATION.

A) ONE INTERNET ACCESSIBLE VIRTUAL PRIVATE NETWORK (VPN) CONNECTION WITH A STATIC IP ADDRESS, AND ONE TELEPHONE LINE - DEDICATED-DIRECT-DIALING, VOICE GRADE.

OR

B) TWO TELEPHONE LINES - ONE DEDICATED DIRECT-DISTANCE-DIALING, VOICE GRADE AND ONE A DEDICATED DATA LINE.



ALL ITEMS ILLUSTRATED ARE TO BE FURNISHED AND INSTALLED BY CUSTOMER OR THEIR CONTRACTOR.

DETAIL NOT TO SCALE



**GE Healthcare**  
IS Services Design Center  
Milwaukee, Wisconsin

SHEET TITLE: ELECTRICAL DETAILS  
MODALITY TYPE: SENOGAPHE 2000

THIS PLAN IS SUBMITTED TO SURVEY LOCATION OF HEALTHCARE EQUIPMENT AND ASSOCIATED APPARATUS. ELECTRICAL WIRING DETAILS AND ROOM ARRANGEMENTS IN PREPARING THIS PLAN, EVERY EFFORT HAS BEEN MADE TO CONFORM DETAILS TO THE MANUFACTURER'S RECOMMENDATIONS AND TO THE LOCAL ELECTRICAL CODES. GE HEALTHCARE SHALL NOT BE RESPONSIBLE FOR ANY DAMAGES RESULTING THEREFROM.

PROJECT TITLE:

GEHC DESIGN  
CENTER  
BROOKFIELD, WISCONSIN

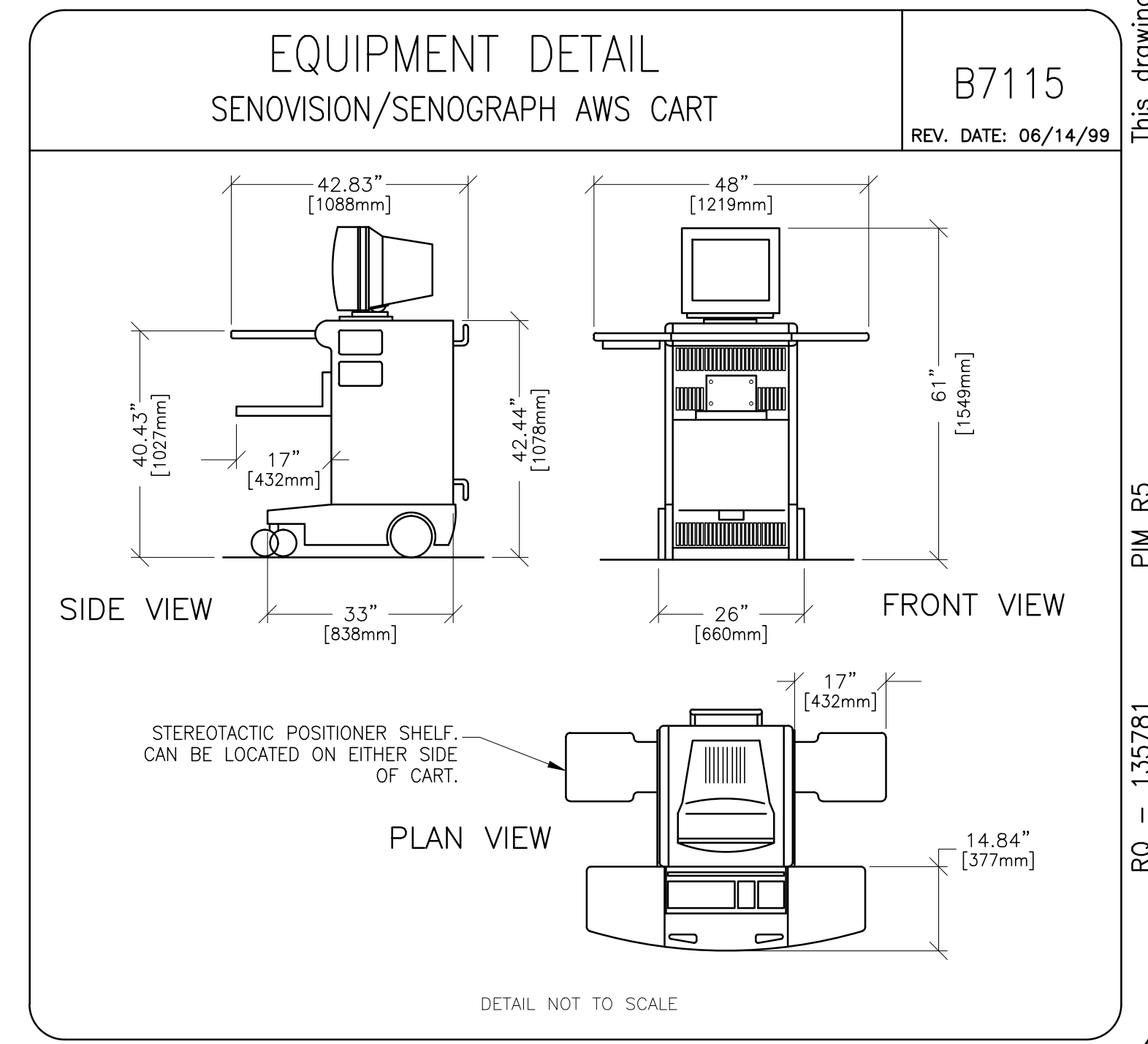
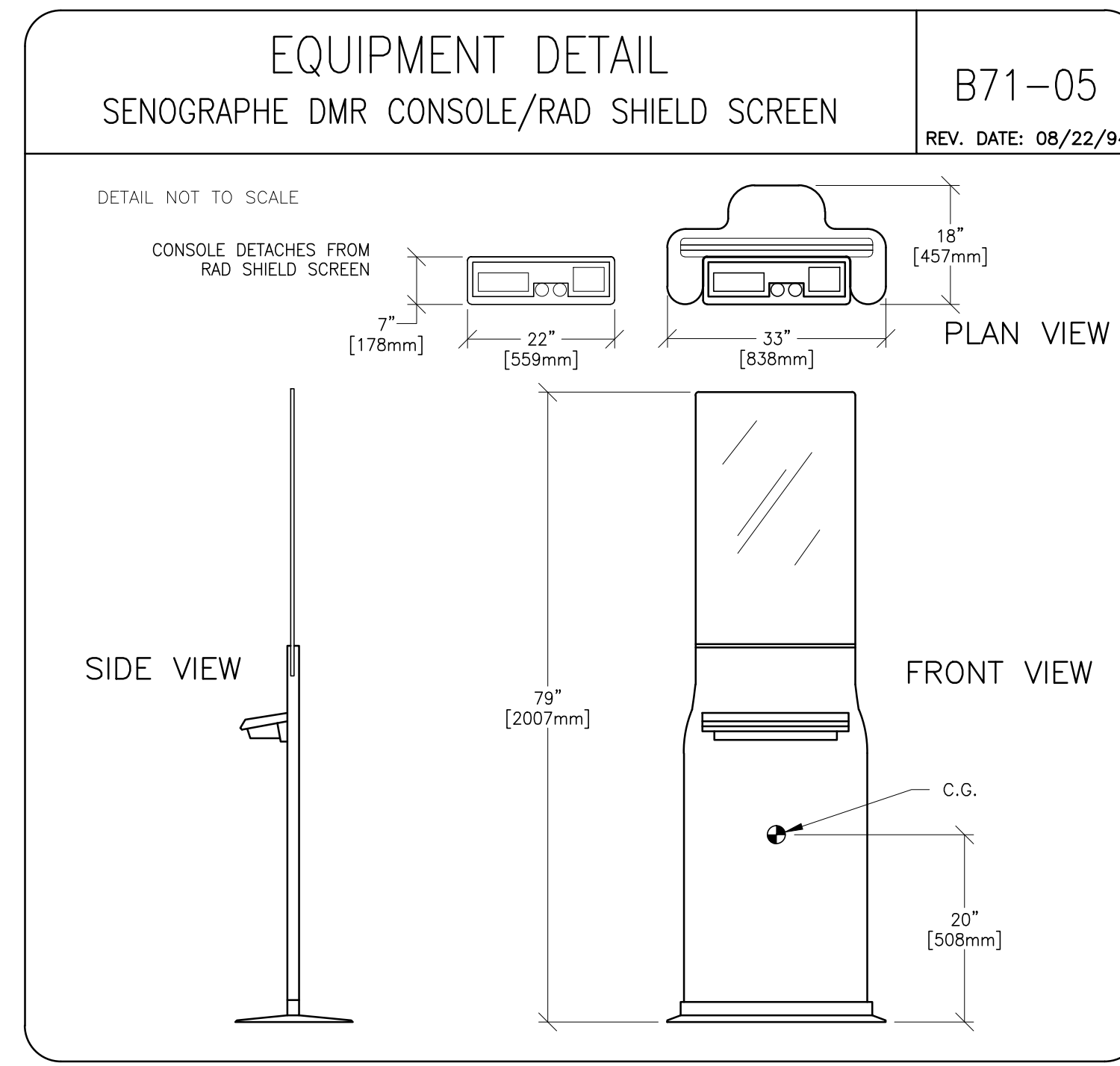
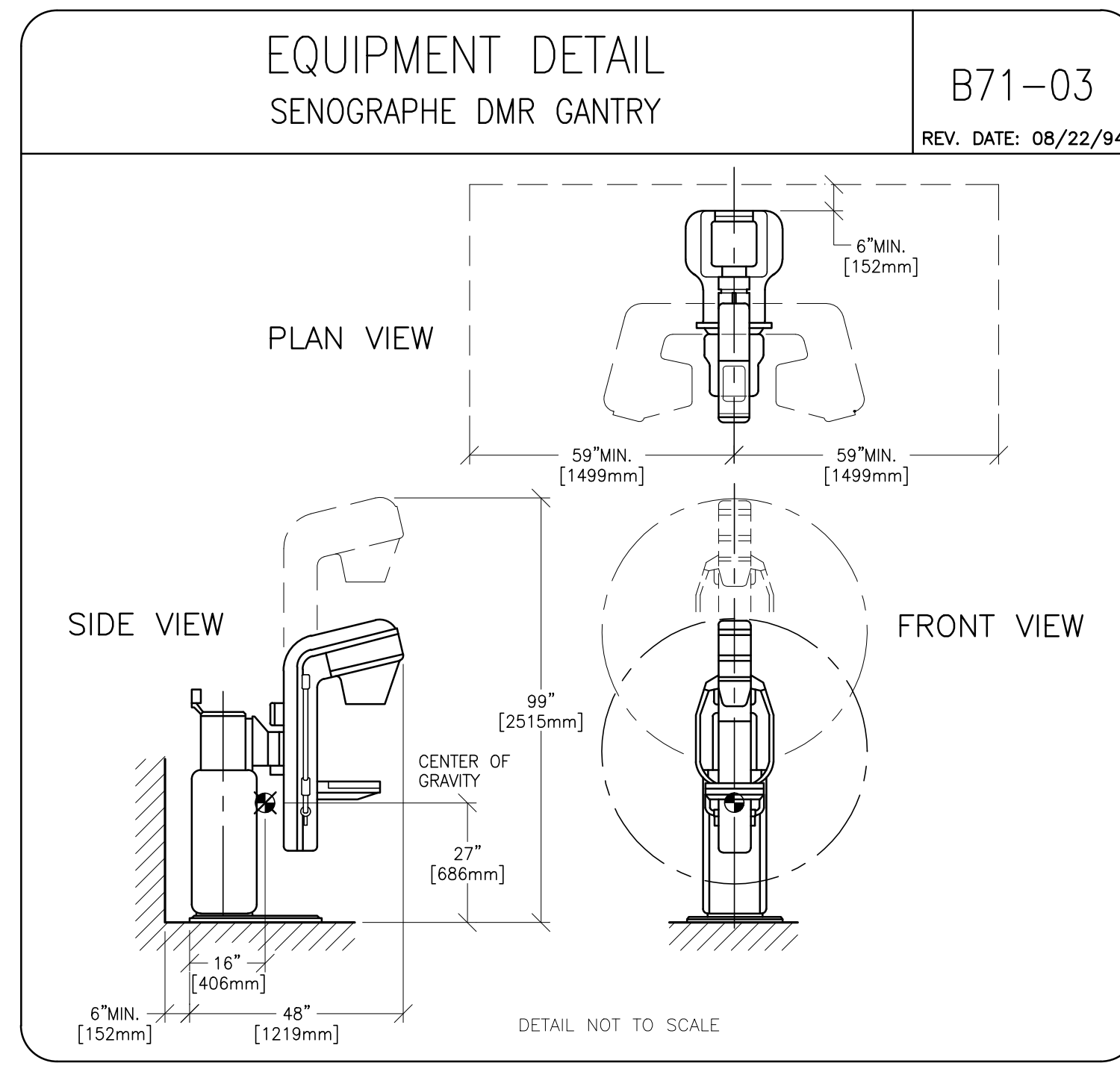
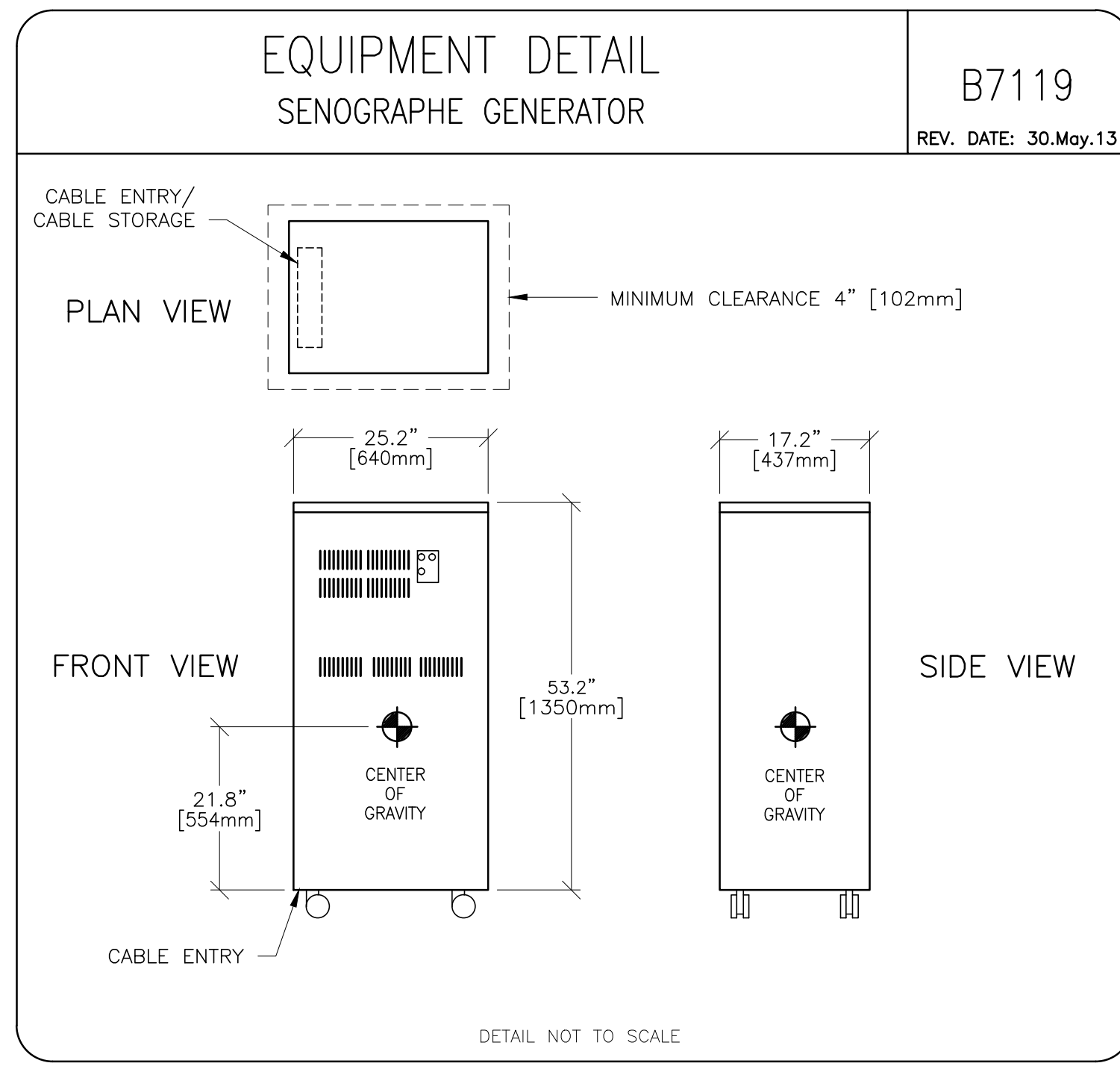
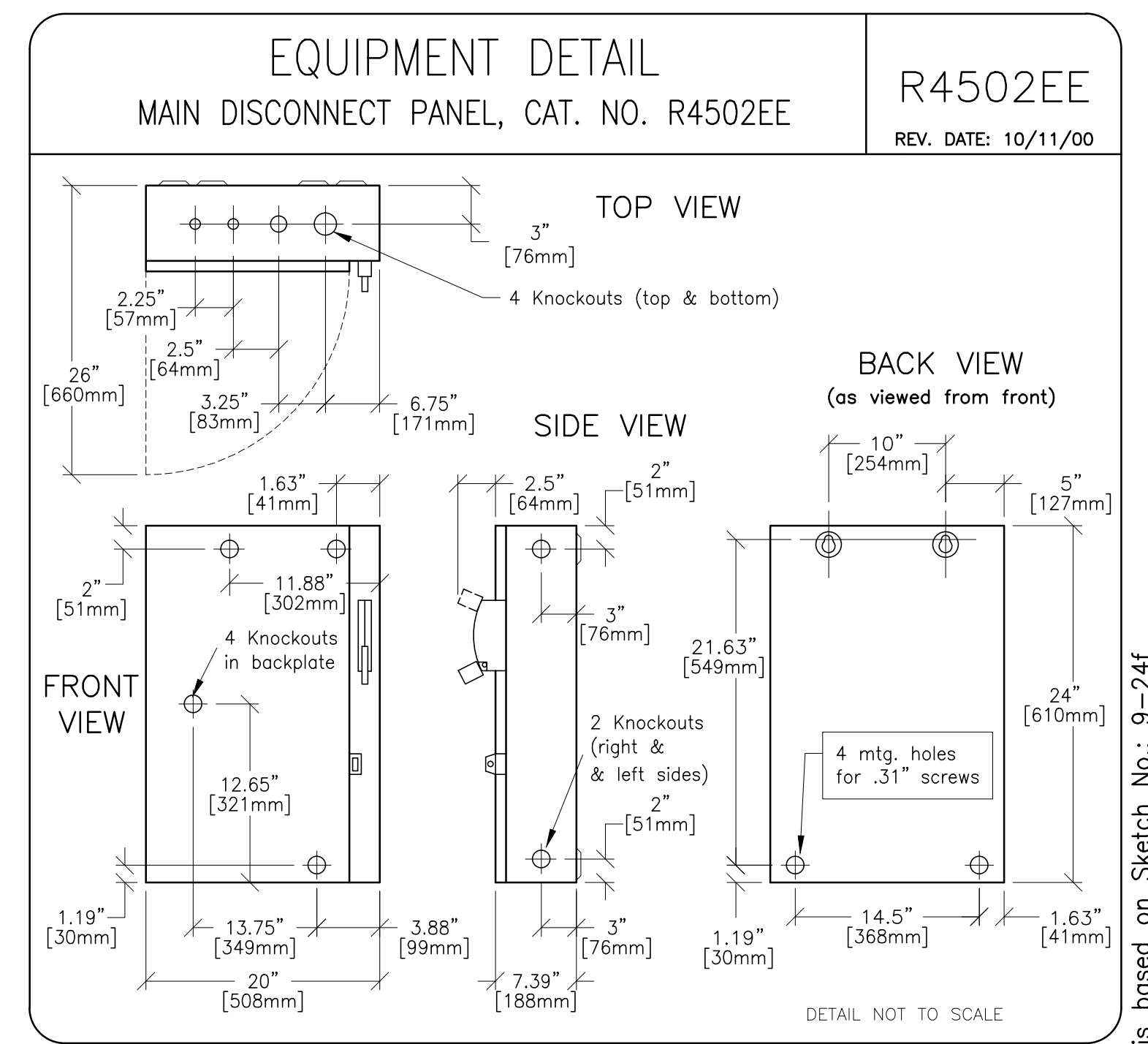
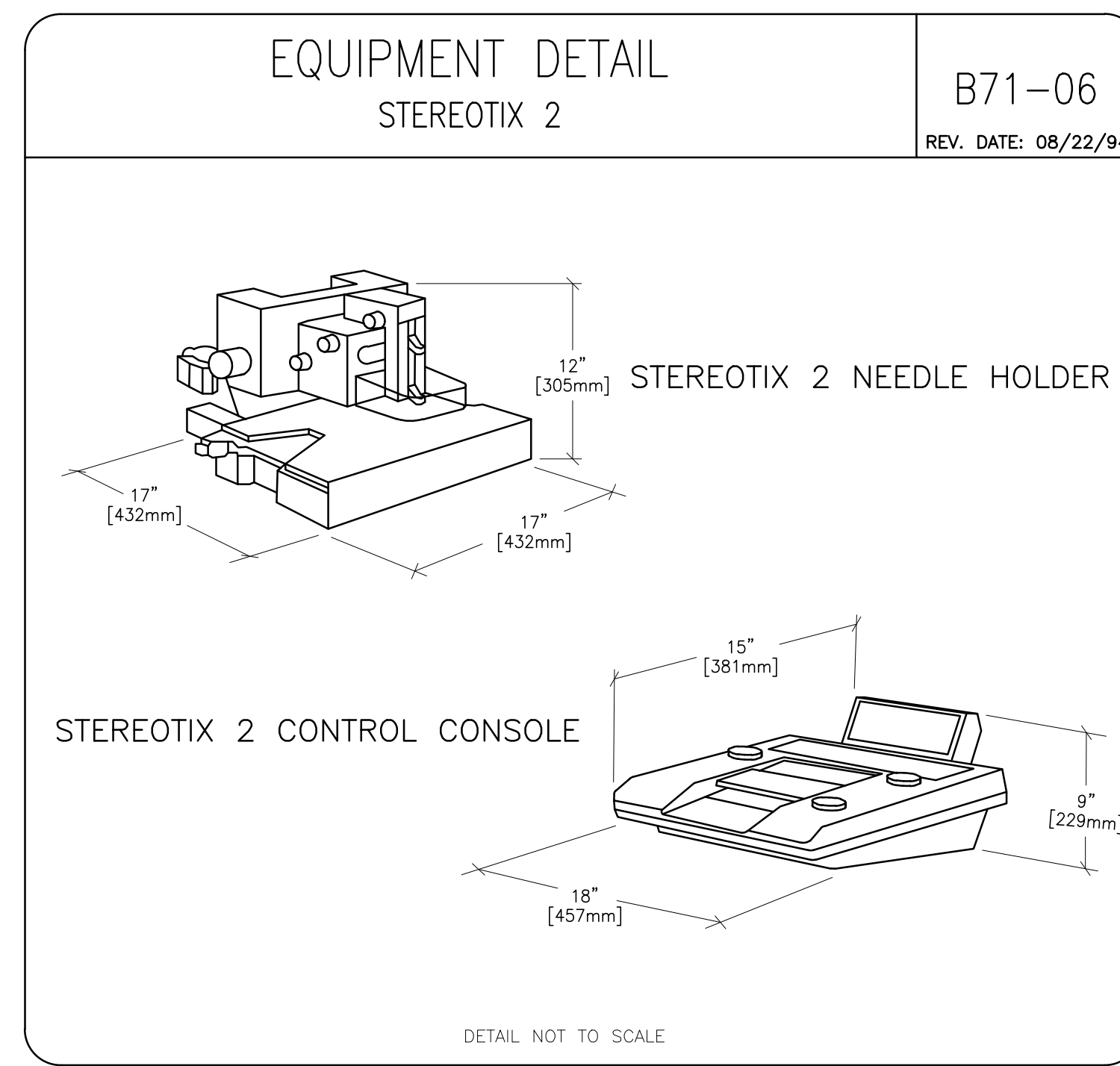
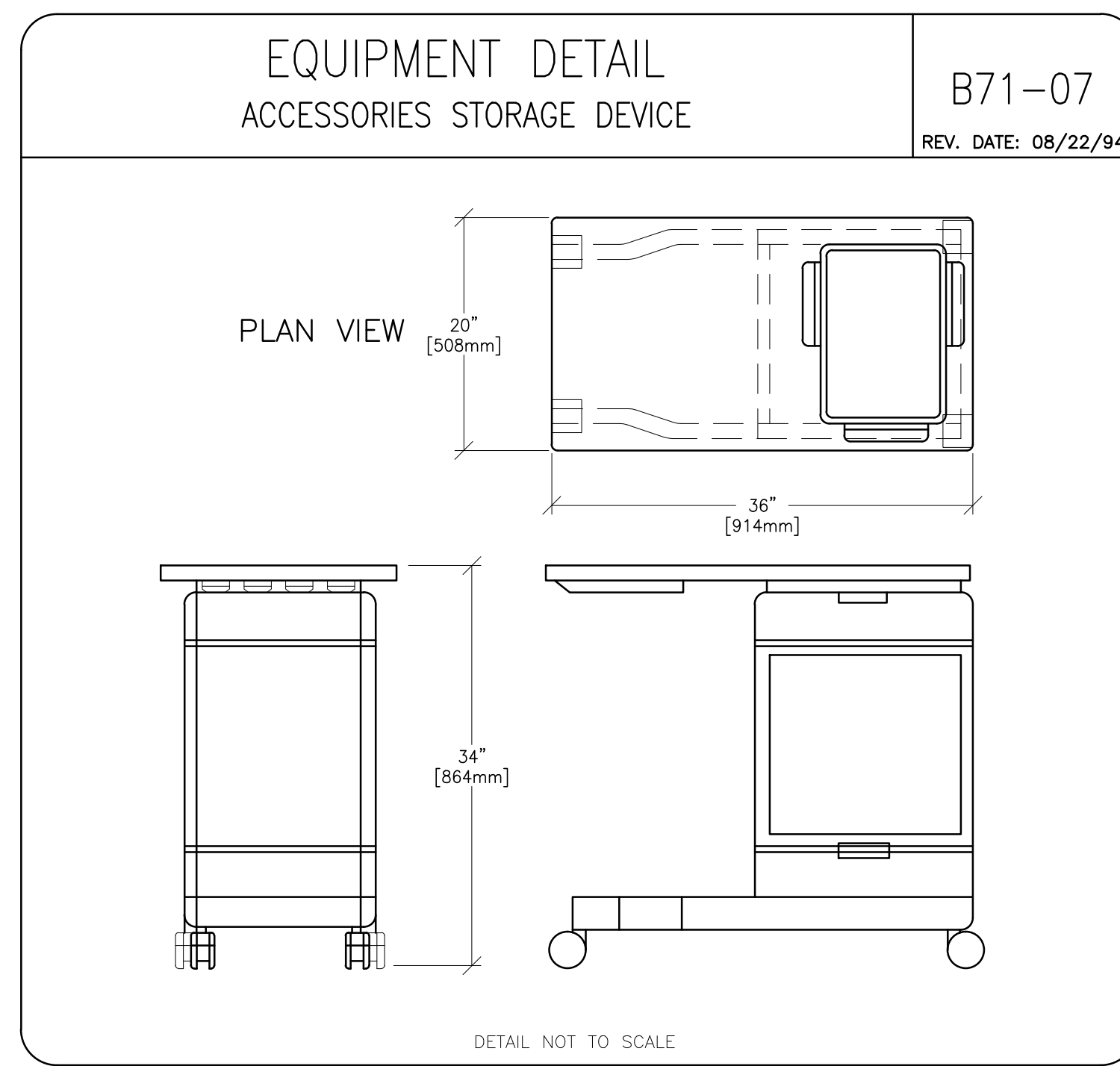
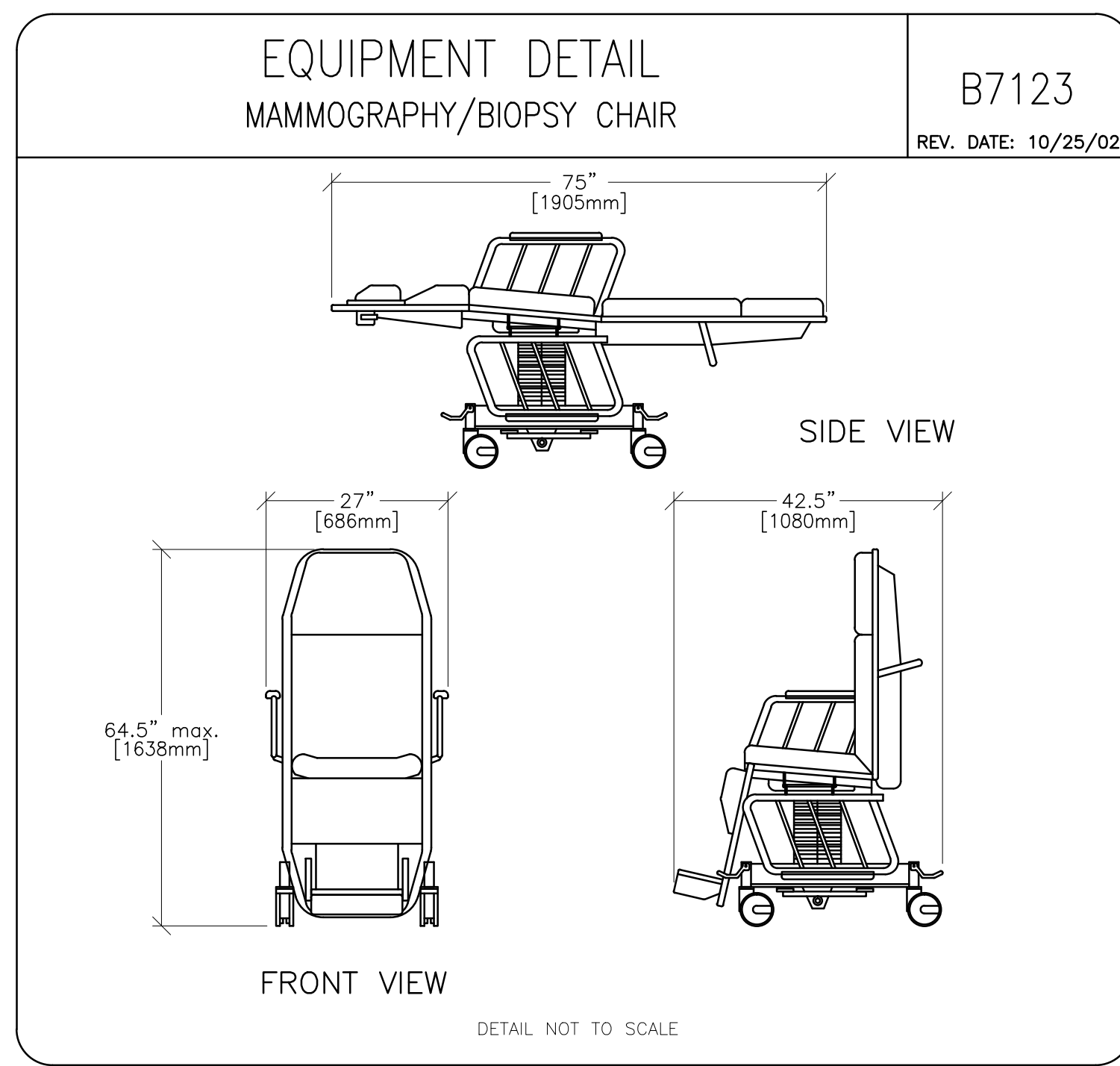
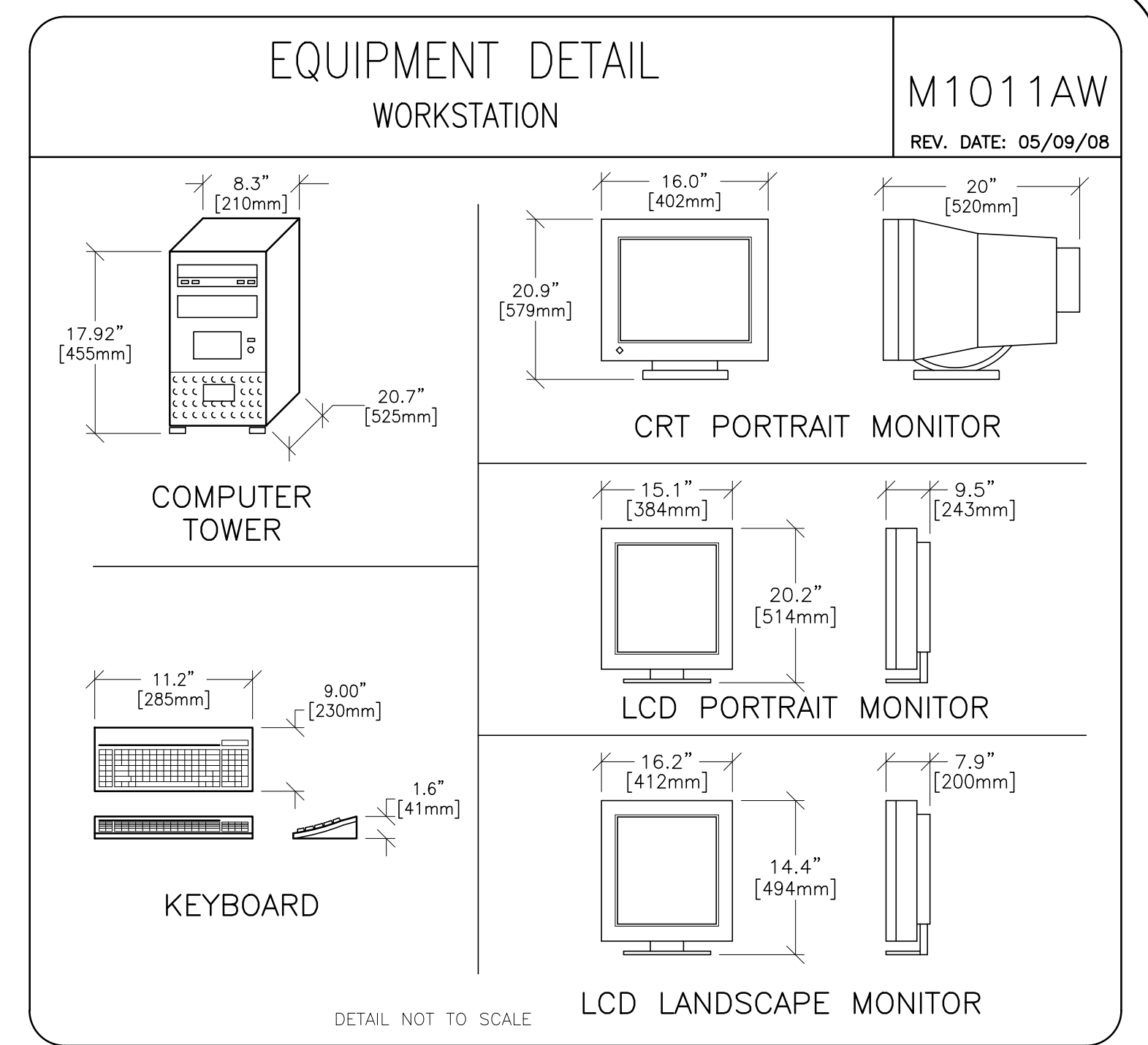
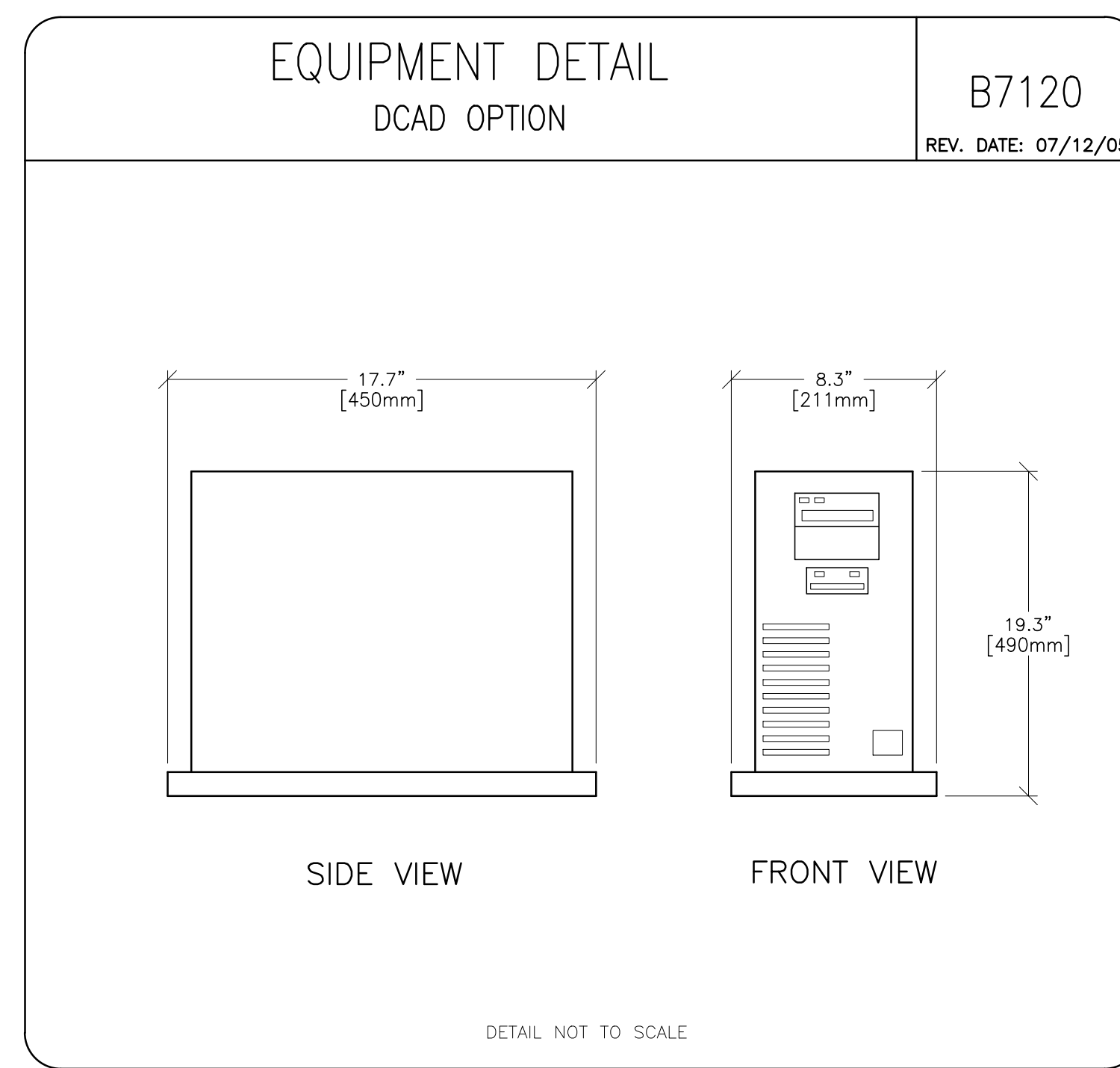
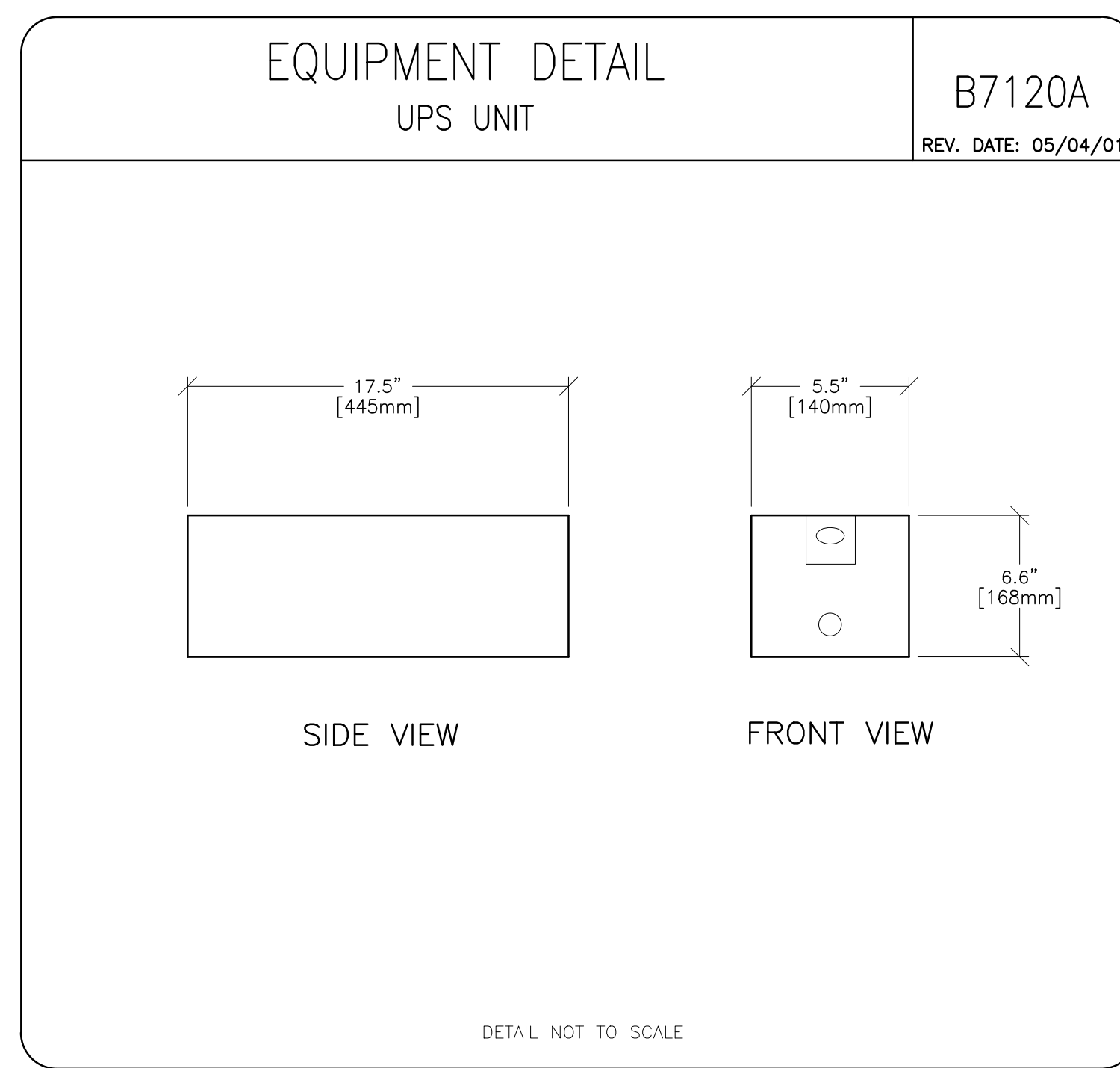
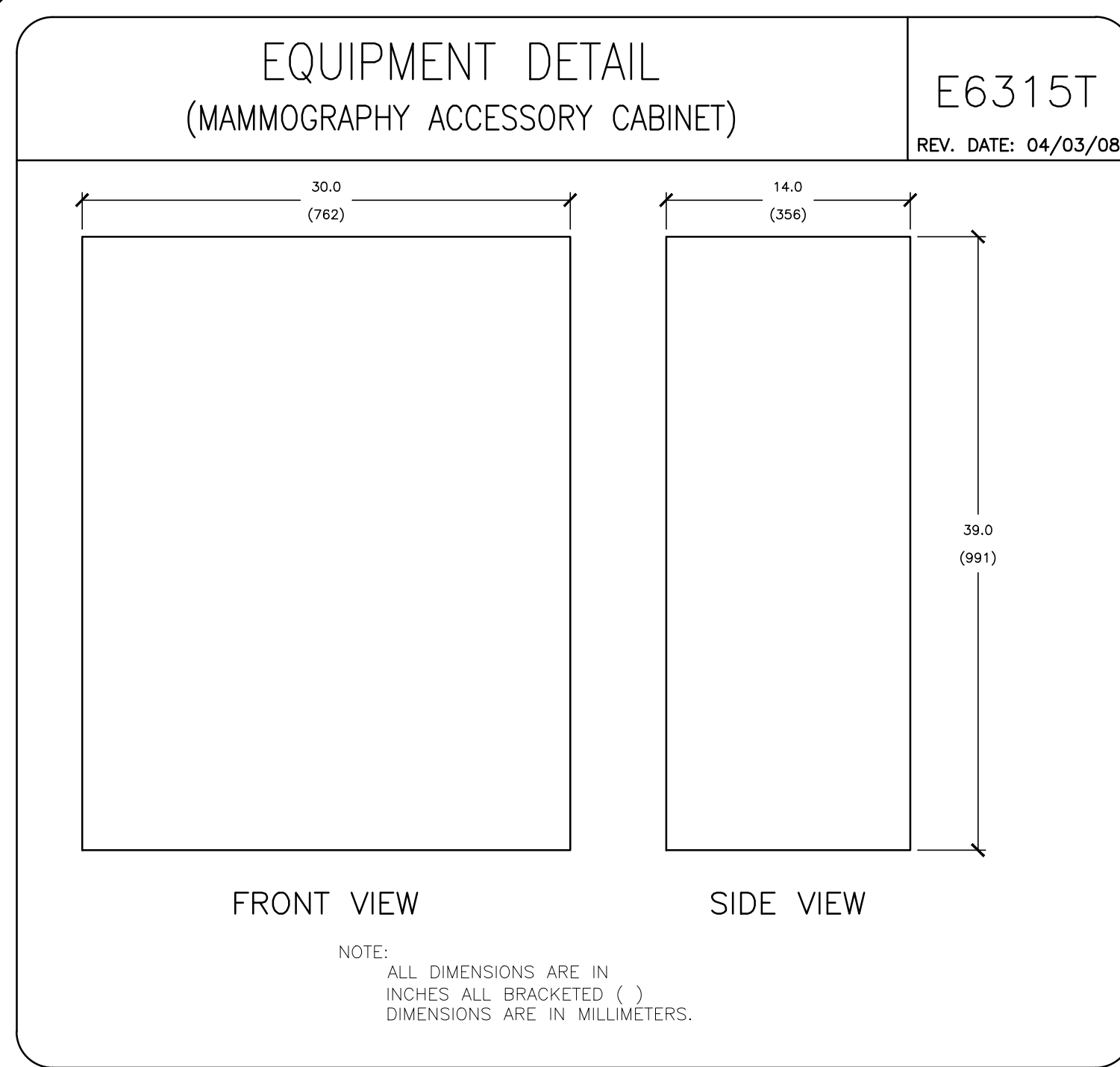
PROJECT	REVISION
9-24f	01
DATE:	03 Jun. 13
DRAWN BY:	KMR
CHECKED BY:	CPC

REVISION HISTORY:

\_\_\_\_\_  
\_\_\_\_\_  
\_\_\_\_\_  
\_\_\_\_\_

SHEET

E3



**GE Healthcare**  
 IS Services Design Center  
 Milwaukee, Wisconsin

SHEET TITLE: **EQUIPMENT DETAILS**  
 MODALITY TYPE: **SENOGRAPHE 2000**

THIS PLAN IS SUBMITTED TO SUGGEST LOCATION OF GE HEALTHCARE EQUIPMENT AND ASSOCIATED ELECTRICAL WIRING DETAILS AND ROOM ARRANGEMENTS. IN PREPARING THIS PLAN, EVERY EFFORT HAS BEEN MADE TO CONFORM DETAILS TO THE MANUFACTURER'S DIMENSIONS AND TO THE USER'S REQUIREMENTS. GE HEALTHCARE ACCEPTS NO LIABILITY FOR ANY DAMAGES RESULTING FROM THE ACTUAL CONSTRUCTION OF THE EQUIPMENT. THE COMPANY CANNOT ACCEPT RESPONSIBILITY FOR ANY DAMAGES RESULTING THEREFROM.

PROJECT TITLE:  
**GEHC DESIGN CENTER**  
 BROOKFIELD, WISCONSIN

PROJECT: **9-24f**      REVISION: **01**

DATE: **03.Jun.13**  
 DRAWN BY: **KMR**  
 CHECKED BY: **CPC**

REVISION HISTORY:

SHEET **D1**

This drawing is based on Sketch No.: 9-24f