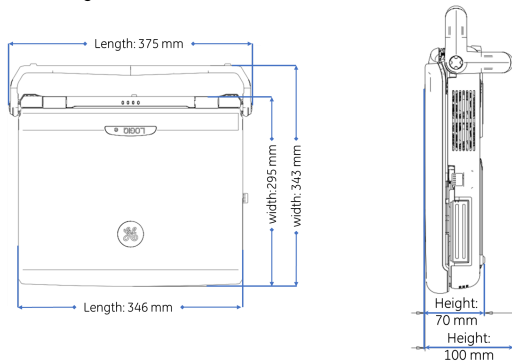


# LOGIQ e

## Physical Dimensions and Weight :

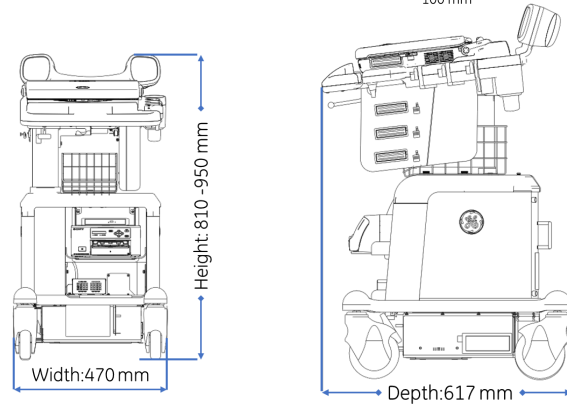
Please Note: The picture may vary according to order configuration.

### LOGIQ e ;



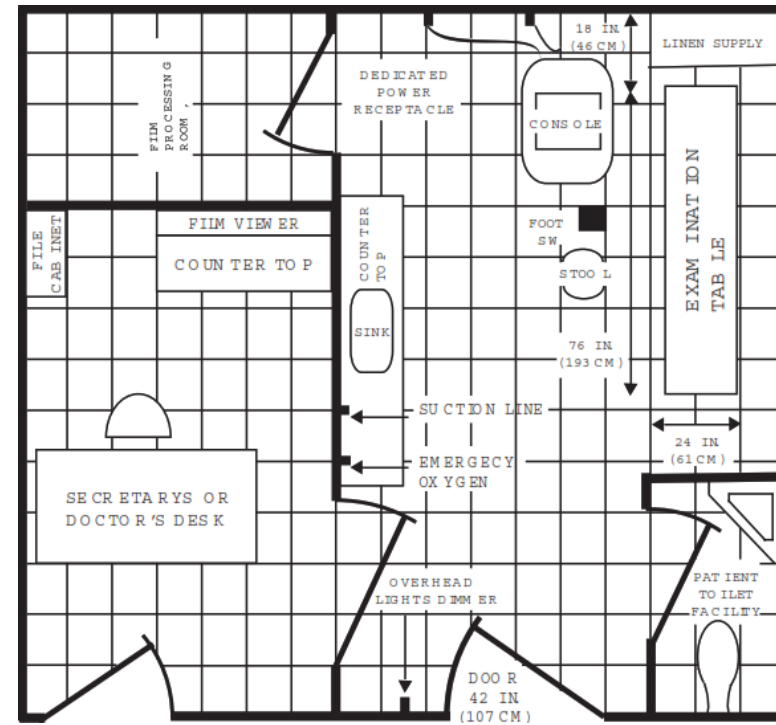
5.2 kg  
11.5 lbs.

### Docking Cart :

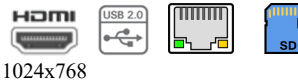


53 kg  
116.8 lbs.

## Recommended Ultrasound Room Layout 4.27 x 5.18 m (14 x 17 foot)



## External Inputs and Outputs :



## Environmental Requirements

Operating Temperature	10 to 40 C (50 to 104 F)
Operating Humidity	30 to 75 % rH, non-condensing , Pressure : 700 -1060 hPa
Heat Dissipation	3800 BTU/hour + 300 Btu for each person. Without lights, other equipment etc.
Storage Temperature	-5 to 50 C (23 to 122 F) ,
Storage Humidity	10 % - 90 % rH, non-condensing , Pressure : 700 -1060 hPa
Lighting	Combination lighting system (dim/bright) is recommended. <b>Keep in mind that lighting controls and dimmers can be a source of EMI which could degrade image quality.</b>

## Electrical Specifications

Voltage	LOGIQ e R8 : 100-240 VAC ±10% 50/60 Hz Docking Cart: 100-240 VAC ±10% 50/60 Hz
Power Consumption	LOGIQ e R8 : Max 180 VA Docking Cart : More than or equal to 750 VA
Site Power Outlets	A dedicated AC power outlet must be within reach of the unit without extension cords
Power outage may occur	Requires a dedicated single branch circuit. To avoid circuit overload and possible loss of critical care equipment, make sure you DO NOT have any other equipment operating on the same circuit.
Acoustic Noise output	Less than 55 dB(A)

Please Note: For more information please refer to the product's service & user manuals.