



GE Healthcare
Project Management

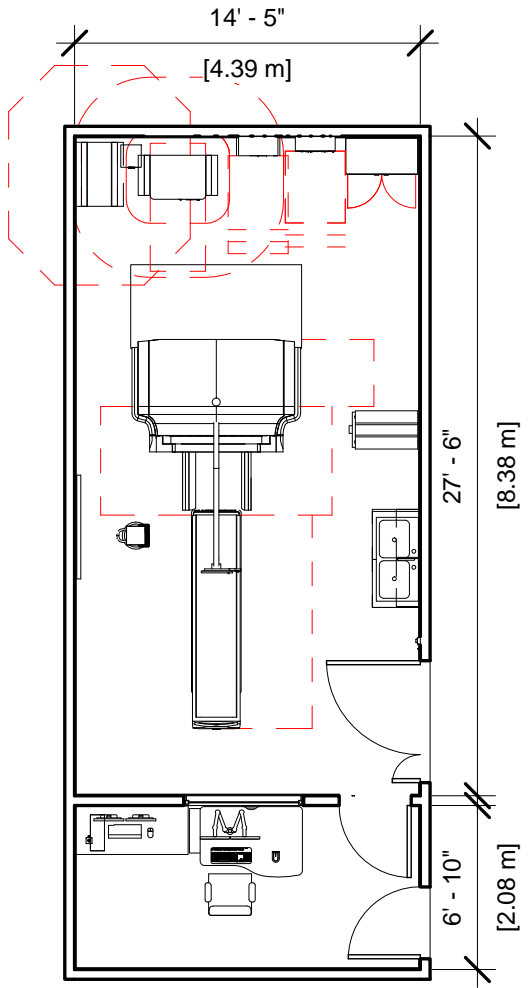
GE Healthcare has made reasonable efforts to ensure this BIM file conforms to requirements of the applicable pre-installation manual. This BIM file was produced to assist with site planning and is not intended for construction or final building modeling. GE Healthcare is not responsible for any damages resulting from use of such file for construction or final building modeling purposes. Compliance with all applicable local, state, and federal laws and regulations is the responsibility of the customer or its designated architects and engineers. Please keep in mind the information in this BIM file is dynamic and is subject to change without notice. It is the responsibility of the customer or its designated architect(s) and engineer(s) to ensure they have the latest equipment or product information.

DISCOVERY NMCT670 - RENDERING

Project number	7-76
Date	19.JULY.17
Drawn by	GENPACT
Checked by	

A-1

Scale 12" = 1'-0"



Specialty Equipment Schedule

Description	Weight (lbs)	BTU
CONTROL ROOM		
FREEDOM WORKSPACE LARGE TABLE	147	8191
ESTOP PUSHBUTTON	0	0
XELERIS WORK STATION	55	255
EXAM ROOM		
STORAGE CABINET	99	0
R-WAVE RECORDER	6	0
OPERATORS CONSOLE	194	0
DISCOVERY NM/CT 670 GANTRY	9930	18771
UPS SYSTEM	350	3399
POWER DISTRIBUTION UNIT	771	5119
POWER INPUT DISTRIBUTION BOX	22	0
MAIN DISCONNECT CONTROL	90	0
COLLIMATOR CART	1058	0
TABLE	1521	0



**GE Healthcare
Project Management**

GE Healthcare has made reasonable efforts to ensure this BIM file conforms to requirements of the applicable pre-installation manual. This BIM file was produced to assist with site planning and is not intended for construction or final building modeling. GE Healthcare is not responsible for any damages resulting from use of such file for construction or final building modeling purposes. Compliance with all applicable local, state, and federal laws and regulations is the responsibility of the customer or its designated architects and engineers. Please keep in mind the information in this BIM file is dynamic and is subject to change without notice. It is the responsibility of the customer or its designated architect(s) and engineer(s) to ensure they have the latest equipment or product information.

DISCOVERY NMCT 670 - PLAN & SCHEDULE

Project number	7-76
Date	19.JULY.17
Drawn by	GENPACT
Checked by	

A-2

Scale 1/8" = 1'-0"

Hold the Left Click for Rotating around
Use the Scroll for Zooming in and out



7-76-Discovery NMCT 670



GE Healthcare

[Click for Site Planning Support](#)