

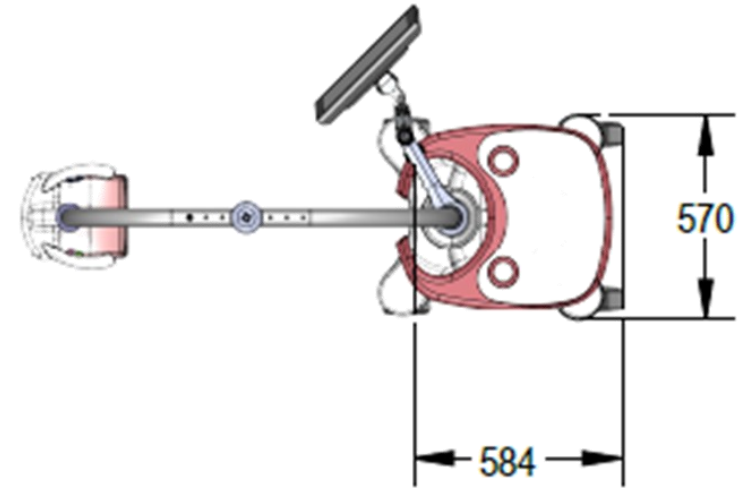
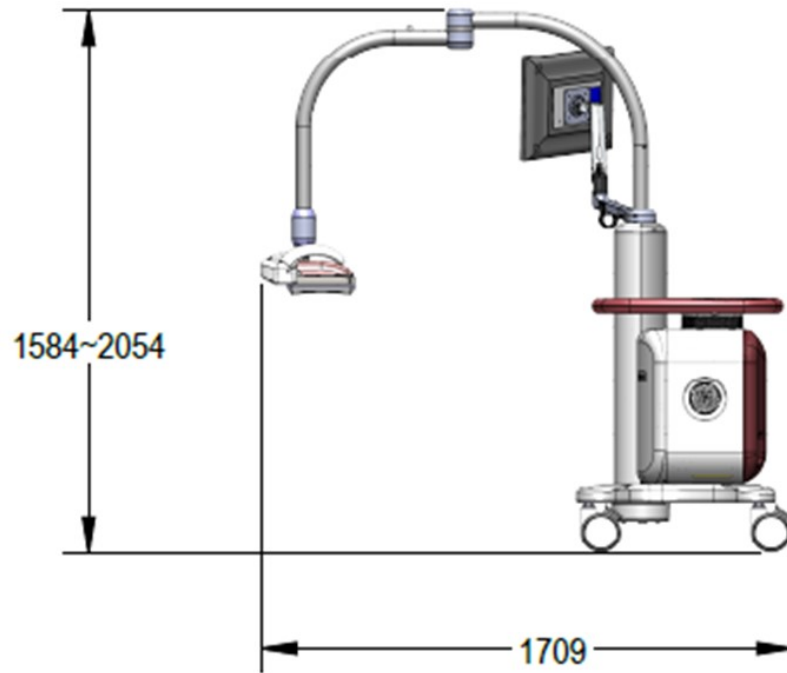


Invenia ABUS2.0

Automated Breast Ultrasound System

Physical Dimensions and Weight :

Please Note: The picture may vary according to order configuration.



Site Preparation

Site Survey Planner :

To help the customer with planning activities, fill out the Site Survey Planner. You can download this from [MyWorkShop, DOC1864913](#).

Please Note : Please check next page for the floor plane.

Electrical Specifications

Voltage	100 –240 VAC +- %10 / 10 A / 50, 60 Hz (+-2%)
Power Consumption	Max 2080 W
Site Power Outlets	A dedicated AC power outlet must be within reach of the unit without extension cords
Power outage may occur	Requires a dedicated single branch circuit. To avoid circuit overload and possible loss of critical care equipment, make sure you DO NOT have any other equipment operating on the same circuit.

Environmental Requirements

Operating Temperature	5 to 35 C (41 to 95 F)
Operating Humidity	30 to 75 % rH, non-condensing
Heat Dissipation	3800 BTU/hour, + 300 Btu for each person.
Storage Temperature	-10 to 60 C (14 to 140 F)
Storage Humidity	10–85 % rH, non-condensing
Lighting	Combination lighting system (dim/bright) is recommended. Keep in mind that lighting controls and dimmers can be a source of EMI which could degrade image quality.

Please Note: For more information please refer to the product's service & user manuals.



Invenia ABUS

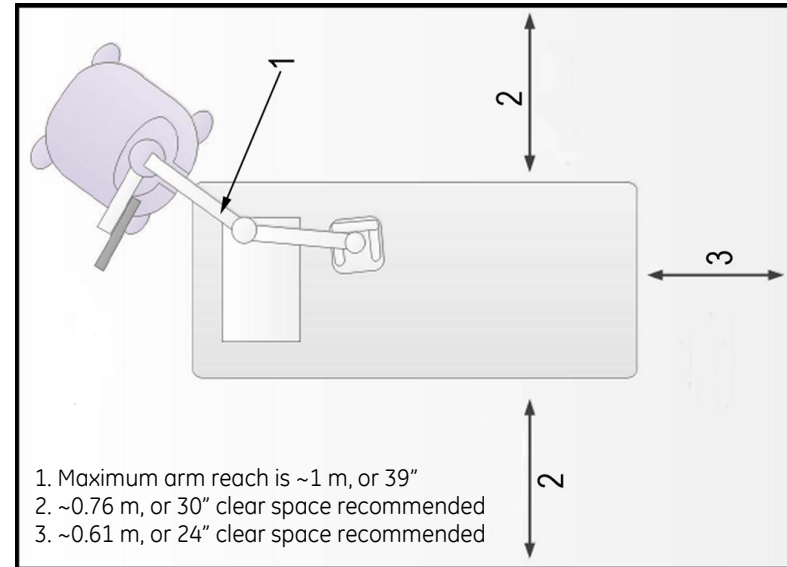
Automated Breast Ultrasound System

The Invenia ABUS Scan Station can be positioned at the head of the table (Position A), or at an angle (Position B). Position A is the preferred layout because it allows the hinge on the Display Arm to function smoothly. Position B is acceptable, but significantly reduces the Display Arm range of motion.

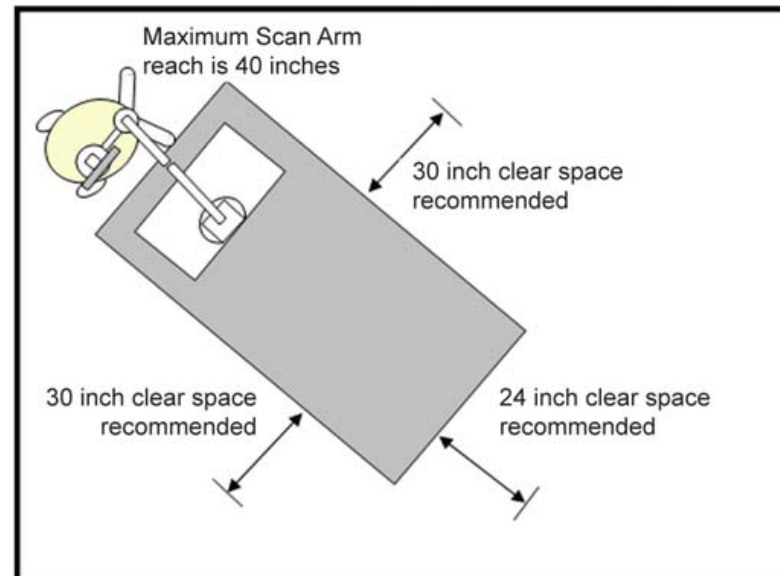
Example layout in the room



Scan Station Room Layout



Position A – Desired Footprint



Position B – Desired Footprint

Site Preparation