

Drawing Index

These sheets are a document set and should not be separated. Electrical information and references are contained on all sheets.

SITE READINESS	C1
EQUIPMENT LAYOUT (Equipment locations, heat loads, component weights, environmental specs)	A1
STRUCTURAL LAYOUT (Structural support/mounting locations for floor/wall/ceiling, wall support elevations)	S1
STRUCTURAL DETAILS (Floor and Ceiling loading information)	S2
ELECTRICAL LAYOUT (Contractor supplied wiring, interconnect methods, junction point locations and descriptions)	E1
ELECTRICAL SPECIFICATIONS (Maximum wiring run lengths, interconnect diagram, system power specifications)	E2
ELECTRICAL DETAILS	E3
EQUIPMENT DETAILS	D1

These equipment installation drawings indicate the placement and interconnection of the listed equipment components. These drawings are not construction or site preparation drawings. Customer remains ultimately responsible for preparing the site to accommodate the installation and operation of such equipment in compliance with GE Healthcare's written specifications and all applicable federal, state, and/or local requirements.

* REQUIRED REFERENCE *

Senographe 700/800
Preinstallation Manual
2148333-100

A mandatory component of this drawing set is the GE Healthcare Preinstallation manual. Failure to reference the preinstallation manual will result in incomplete documentation required for site design and preparation.

Preinstallation documents for GE Healthcare products can be accessed on the web at:

<http://www.gehealthcare.com/company/docs/siteplanning.html>

GE Healthcare



Women's Health Site Planning



imagination at work

Customer Site Readiness Requirements

- Any deviation from these drawings must be communicated in writing to and reviewed by your local GE Healthcare Installation Project Manager prior to making changes.
- Make arrangements for any rigging, special handling, or facility modifications that must be made to deliver the equipment to the installation site. If desired, your local GE Healthcare Installation Project Manager can supply a reference list of rigging contractors.
- New construction requires the following: 1. Secure area for equipment, 2. Power for drills and other test equipment, 3. Capability for image analysis, 4. Restrooms.
- Provide for refuse removal and disposal (e.g. crates, cartons, packing)
- Contact a radiation physicist or consultant to specify radiation containment requirements.

GE Equipment Delivery Requirements

Items 1 through 8 on the GE Healthcare Site Readiness Checklist are REQUIRED to facilitate equipment delivery to the installation site. Equipment will not be delivered if these requirements are not satisfied.

GE Healthcare Site Readiness Checklist					
GEHC Global Order # : _____		Customer: _____			
GEHC On-site Representative : _____		MI Supplier: _____			
Name of customer reviewed with : _____		Lead Installer: _____			
GEHC PMI : _____		Phone Number: _____			
Target Site Prep Completion Date: _____		Helper: _____			
The customer is responsible for proper site preparation and site readiness regardless of any GEHC inspections/assessments.					
Inspection Date	Storage: Is item ready?	Predict (Pre-ship) Is this item ready?	Verify (Delivery): Is item ready?	Validate (Mech Install): Is item ready?	Comments
Item #	GEHC Minimum Requirements				If "N", please enter in comments or action plan
1	Equipment installation drawings must match actual room size and must meet clearance requirements. Deviations that meet installation requirements may be red-lined. If red-lining is allowed by local code. Seismic requirements are identified on construction drawings.				
2	Delivery route to installation or storage area meets requirements and has been discussed and scheduled with the customer. Ensure floor protection is discussed, requirements identified, and will be available at time of delivery and installation.				
3	Rooms that will contain equipment, including storage areas, are dust free. Room security to prevent unauthorized access and theft has been discussed with customer. The customer is aware of these security issues, implications and responsibility.				
4	In room HVAC ductwork and units (in room) must be mechanically installed and dust free. Installation rooms appear to meet environmental conditions (see Further Definitions) and observed issues have been communicated to the customer. If being stored, storage area must meet PIM storage criteria.				
5	Ceiling grid is installed, Unistrut is located per the installation drawings, and permanent lighting is installed and operational.				
6	Floor is clean and prepared for final floor covering. Customer has verified floor leveling meets the equipment installation drawings and PIM specs and no visible defects are observed. Gantry and table baseplate are installed prior to delivery (if applicable)				
7	Access to a working phone at the facility for emergency use, including MR magnet delivery.				
8	All walls primed (final coat not needed on Day 1), and counter tops that will support equipment must be installed. No dust-producing cabinetry work in installation areas.				
9	Mechanical supplier has been provided with a set of equipment installation drawings for reference. For California, permitted construction drawings or PMI-specified installation drawings are required.				
10	Conduit/electrical cable ducting/dividers/ access flooring installed, with the exception of surface-mounted floor ducting. Wiring to the main disconnect panel is installed and compliant with equipment installation drawings or pre-installation manual.				

Issued Date: 7/9/07 Rev 11

GE Healthcare Technologies
 Installation Services Design Center
 Milwaukee, Wisconsin

SHEET TITLE: SITE READINESS
 MODALITY TYPE: SENOGRAPHE 700/800
THIS PLAN IS SUBMITTED TO SUGGEST LOCATION OF GE HEALTHCARE EQUIPMENT AND ASSOCIATED APPARATUS, ELECTRICAL WIRING DETAILS AND ROOM ARRANGEMENTS. TO FACILITATE EQUIPMENT DELIVERY TO THE INSTALLATION SITE, CUSTOMER SHALL BE RESPONSIBLE FOR PROVIDING ALL NECESSARY ACCESS AND CLEARANCE FOR EQUIPMENT DELIVERY. THE COMPANY CANNOT ACCEPT RESPONSIBILITY FOR ANY DAMAGES RESULTING THEREFROM.

PROJECT TITLE:
**TYPICAL FINAL
 INSTALLATION DRAWING**

PROJECT	REVISION
9-18F	00
DATE:	6-16-08
DRAWN BY:	CPC
CHECKED BY:	CPC

REVISION HISTORY:

SHEET
C1

GE EQUIPMENT LISTING

EQUIPMENT ON ORDER FROM GE HEALTHCARE, INSTALLED BY GE HEALTHCARE, PER : NEITHER A QUOTE OR GON WAS ISSUED AT THE DATE OF THESE DRAWINGS

NOTE: LOCAL CONDITIONS MAY DICTATE THAT ITEMS IDENTIFIED IN THIS CATEGORY BE INSTALLED BY OTHERS.

EQUIPMENT CROSS REFERENCE CHART
 P = PREAPPROVAL
 C = CALCULATIONS/PENDING APPROVAL
 S = SPECIFICATIONS ONLY

ITEM NO.	QUANTITY ORDERED	REFER TO SHEET "D"	ITEM DESCRIPTION (* = EXISTING/REINSTALL)	WEIGHT	HEAT OUTPUT (PER HOUR)	DETAIL NO.	STRC PLAN	ELEC PLAN
1			SENOGRAPHE 700/800T MAMMOGRAPHY ENTRY WITH BASIC SHIELD AND CONSOLE	665 lbs	4952 btu	B7110A	B7110B	GT C

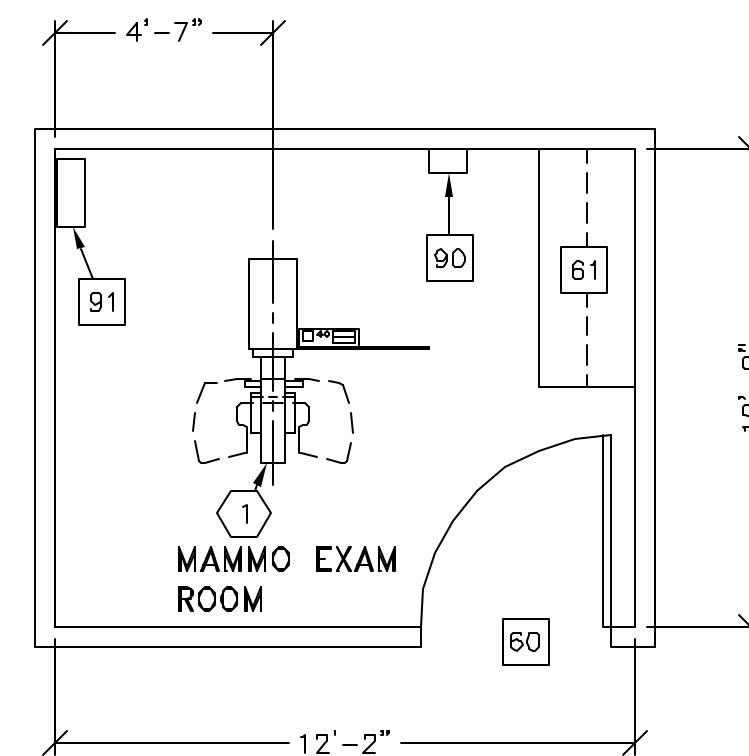
THE FOLLOWING ITEMS, WHICH HAVE BEEN ORDERED FROM GE HEALTHCARE, ARE TO BE INSTALLED BY THE CUSTOMER OR HIS CONTRACTOR.

SCALE: 1/4" = 1'-0"

EQUIPMENT LAYOUT

RECOMMENDED CEILING HEIGHT = 8'-0"

This equipment layout indicates the placement and interconnection of the indicated equipment components. There may be federal, state, and/or local requirements that could impact the placement of these components. It remains the Customer's responsibility for ensuring the site and final equipment placement complies with all applicable federal, state, and/or local requirements.



ANCILLARY ITEMS

CUSTOMER/CONTRACTOR SUPPLIED AND INSTALLED ITEMS

ITEM NO.	ITEM DESCRIPTION (* INDICATES EXISTING)
60	MINIMUM DOOR OPENING FOR EQUIPMENT DELIVERY IS 24 IN. W x 77 IN. H (610mm x 1956mm), CONTINGENT ON A 60 IN. (1524mm) CORRIDOR WIDTH
61	COUNTER TOP WITH BASE AND WALL CABINETS

THE FOLLOWING ITEMS ARE AVAILABLE FROM GE HEALTHCARE TECHNOLOGIES. CONTACT YOUR LOCAL GE HEALTHCARE SERVICE REPRESENTATIVE FOR PRICING AND AVAILABILITY.

90	MAIN DISCONNECT CONTROL, WALL MOUNTED, GEMS CAT. NO. E4502EE, 63 lbs., SEE DETAIL R4030E
91	EDM TOWER FOR SEND 700/800T

GENERAL SPECIFICATIONS

- THE REQUIRED CEILING HEIGHT INDICATED ON THESE PLANS IS TO ENSURE EQUIPMENT FUNCTION IS NOT INHIBITED. CONSULT WITH YOUR LOCAL GEHC INSTALLATION SPECIALIST REGARDING ACCEPTABILITY OF OTHER CEILING HEIGHTS.
- CHECK ALL DOOR OPENINGS AND HALLWAYS FROM DELIVERY LOCATION TO WHERE EQUIPMENT IS TO BE INSTALLED TO ENSURE THE ROUTE PHYSICALLY AND STRUCTURALLY WILL ACCOMMODATE THE EQUIPMENT AS SHIPPED.
- RADIATION PROTECTION REQUIREMENTS ARE NOT INDICATED ON THIS PLAN. WHERE NEEDED PER NATIONAL OR LOCAL CODE THEY SHALL BE SPECIFIED BY A QUALIFIED RADIOLOGICAL PHYSICIST.
- THE DEVELOPMENT OF THE EQUIPMENT LAYOUT, ROOM DIMENSIONS, MECHANICAL AND ELECTRICAL SUGGESTIONS IS PREDICATED UPON THE BEST INFORMATION OBTAINABLE FROM THE SITE, COUPLED WITH THE CUSTOMER'S KNOWN DESIRES. ARCHITECTURAL OR ELECTRICAL CHANGES INCLUDING RELOCATION OF EQUIPMENTS ILLUSTRATED ON THIS DRAWING IS ALLOWED ONLY WITH NOTIFICATION, IN WRITING, AND REVIEW BY GEHC SERVICE DEPARTMENT. EQUIPMENT OPERATION, SERVICEABILITY, AND RESTRICTING CABLE LENGTHS, ETC., MAKE THIS ESSENTIAL FOR A PROPER INSTALLATION. GEHC RESERVES THE RIGHT TO MAKE ON THE JOB CHANGES BECAUSE OF CUSTOMER REQUIREMENTS AND/OR OBSTACLES IN CONSTRUCTION, ETC..
- ALL WORK TO BE IN COMPLIANCE WITH NATIONAL AND LOCAL BUILDING SAFETY CODES.
- DIMENSIONS ARE TO FINISHED SURFACES OF ROOM

SITE ENVIRONMENT SPECIFICATIONS

- AMBIENT OPERATING TEMPERATURE: 55°F (13°C) TO 75°F (24°C), MAXIMUM ALLOWABLE TEMPERATURE CHANGE OF 15°F (9°C)/HOUR.
- HUMIDITY: 30 TO 75 PERCENT NON-CONDENSING, MAXIMUM ALLOWABLE CHANGE OF 10 PERCENT/HOUR.
- ALTITUDE: NOT TO EXCEED 9500 FT. ABOVE SEA LEVEL.
- THE ENVIRONMENT FOR THE SENOGAPHE MUST BE CONTROLLED SO THE ABOVE RESTRICTIONS ARE NOT EXCEEDED.

MAGNETIC INTERFERENCE SPECIFICATIONS

- MAMMOGRAPHY EQUIPMENT MUST BE LOCATED IN AMBIENT STATIC MAGNETIC FIELDS OF LESS THAN 10 GAUSS TO GUARANTEE SPECIFIED PERFORMANCE.

GE Healthcare Technologies
 Installation Services Design Center
 Milwaukee, Wisconsin

SHEET TITLE: EQUIPMENT LAYOUT
 MODALITY TYPE: SENOGAPHE 700/800T
 THIS PLAN IS SUBMITTED TO SUGGEST LOCATION OF GE HEALTHCARE EQUIPMENT AND ASSOCIATED APPARATUS, ELECTRICAL WIRING DETAILS AND ROOM ARRANGEMENTS. PARTIAL EQUIPMENTS ARE SHOWN FOR REFERENCE ONLY. THIS DRAWING IS FOR ACTUAL CONSTRUCTION PURPOSES. HOWEVER, AND THE COMPANY CANNOT ACCEPT RESPONSIBILITY FOR ANY DAMAGES RESULTING THEREFROM.

PROJECT TITLE:
**TYPICAL FINAL
 INSTALLATION DRAWING**

PROJECT	REVISION
9-18F	00
DATE:	6-16-08
DRAWN BY:	CPC
CHECKED BY:	CPC

REVISION HISTORY:

SHEET
A1

TYPICAL WALL SUPPORT ELEVATIONS

SCALE: 1/4" = 1'-0"

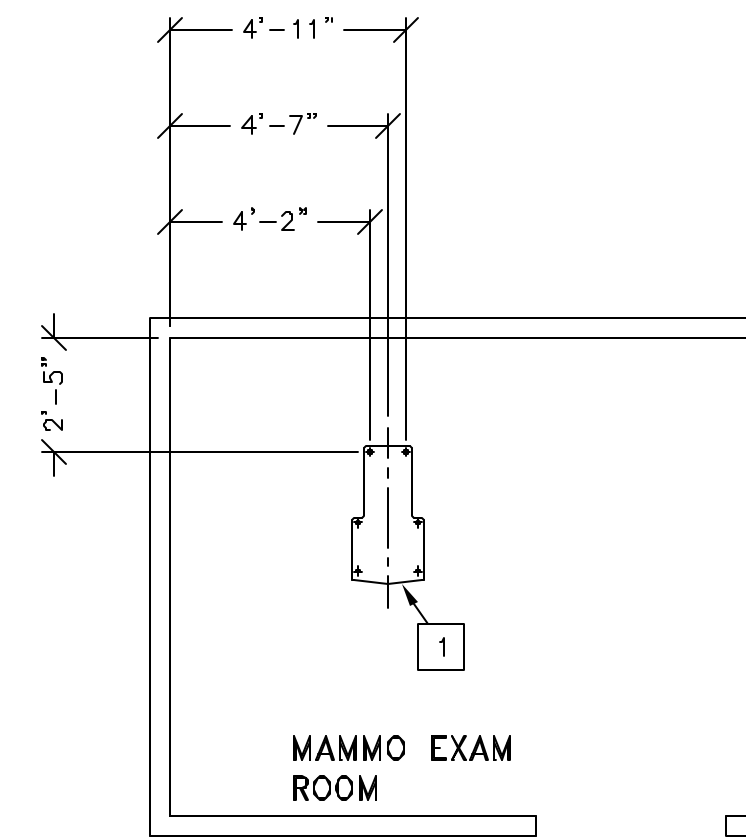
STRUCTURAL LAYOUT

RECOMMENDED CEILING HEIGHT = 8'-0"

STRUCTURAL SUPPORT METHODS

CUSTOMER/CONTRACTOR SUPPLIED AND INSTALLED ITEMS

ITEM NO.	ITEM DESCRIPTION (* INDICATES EXISTING)
<input type="checkbox"/>	
<input checked="" type="checkbox"/>	<p>SENDOGRAPHE GANTRY BASEPLATE AREA</p> <p>SENDOGRAPHE DMR Seismic Zone ANCHORING HARDWARE</p> <p><GANTRY> ANCHORS = Hilti KB3 - 1/2 x 5.5 in. (4 ea.)</p> <p><GENERATOR> ANCHORS = Hilti KB3 - 3/8 x 3.75 in. (4 ea.)</p> <p><GENERATOR> BRACKETS = 3 x 3 x 3 in. Corner Brackets (4 ea.)</p> <p><RAD SHIELD> ANCHORS = Hilti KB3 - 3/8 x 3.75 in. (3 ea.)</p> <p>ALL ANCHORS TO INCLUDE 1 FLATWASHER</p> <p>ALL BOLTS TO INCLUDE 2 FLATWASHERS, 1 LOCKWASHER AND 1 NUT.</p>



STRUCTURAL NOTES

- METHODS OF SUPPORT FOR THE STEELWORK THAT WILL PERMIT ATTACHMENT TO STRUCTURAL STEEL OR THROUGH BOLTS IN CONCRETE CONSTRUCTION SHOULD BE FAVORED. DO NOT USE CONCRETE OR MASONRY ANCHORS IN DIRECT TENSION.
- ALL UNITS THAT ARE WALL MOUNTED OR WALL SUPPORTED ARE TO BE PROVIDED WITH SUPPORTS WHERE NECESSARY. WALL SUPPORTS ARE TO BE SUPPLIED AND INSTALLED BY THE CUSTOMER OR HIS CONTRACTORS. SEE PLAN AND DETAIL SHEETS FOR SUGGESTED LOCATIONS AND MOUNTING HOLE LOCATIONS.
- ALL CEILING MOUNTED FIXTURES, AIR VENTS, SPRINKLERS, ETC. TO BE FLUSH MOUNTED, OR SHALL NOT EXTEND MORE THAN 6,35mm (1/4") BELOW THE FINISHED CEILING.
- FLOOR SLABS ON WHICH EQUIPMENT IS TO BE INSTALLED MUST BE LEVEL TO 3,17mm (1/8") IN 3050mm (10'-0").
- DIMENSIONS ARE TO FINISHED SURFACES OF ROOM.
- CUSTOMERS CONTRACTOR MUST PROVIDE ALL PENETRATIONS IN POST TENSION FLOORS.
- CUSTOMERS CONTRACTOR MUST PROVIDE AND INSTALL ANY NON-STANDARD ANCHORING DOCUMENTS FOR STANDARD ANCHORING METHODS ARE INCLUDED WITH GE EQUIPMENT DRAWINGS FOR GEOGRAPHIC AREAS THAT REQUIRE SUCH DOCUMENTATION.
- CUSTOMERS CONTRACTOR MUST PROVIDE AND INSTALL HARDWARE FOR "THROUGH THE FLOOR" ANCHORING AND/OR ANY BRACING UNDER ACCESS FLOORS. THIS CONTRACTOR MUST ALSO PROVIDE FLOOR DRILLING THAT CANNOT BE COMPLETED BECAUSE OF AN OBSTRUCTION ENCOUNTERED WHILE DRILLING BY THE GE INSTALLER SUCH AS REBAR ETC.

SHEET TITLE: STRUCTURAL LAYOUT
 MODALITY TYPE: SENDOGRAPHE 700/800T

THIS PLAN IS SUBMITTED TO SURGEST LOCATION OF GE HEALTHCARE EQUIPMENT AND ASSOCIATED APPARATUS, ELECTRICAL WIRING DETAILS AND ROOM ARRANGEMENTS. THE CUSTOMER'S CONTRACTOR SHALL BE RESPONSIBLE FOR VERIFYING THE LOCATION OF ALL PENETRATIONS AND PROVIDING THE NECESSARY HARDWARE FOR THE INSTALLATION OF THE EQUIPMENT. THE COMPANY CANNOT ACCEPT RESPONSIBILITY FOR ANY DAMAGES RESULTING THEREFROM.

PROJECT TITLE:
 TYPICAL FINAL
 INSTALLATION DRAWING

PROJECT	REVISION
9-18F	00
DATE: 6-16-08	
DRAWN BY: CPC	
CHECKED BY: CPC	

REVISION HISTORY:

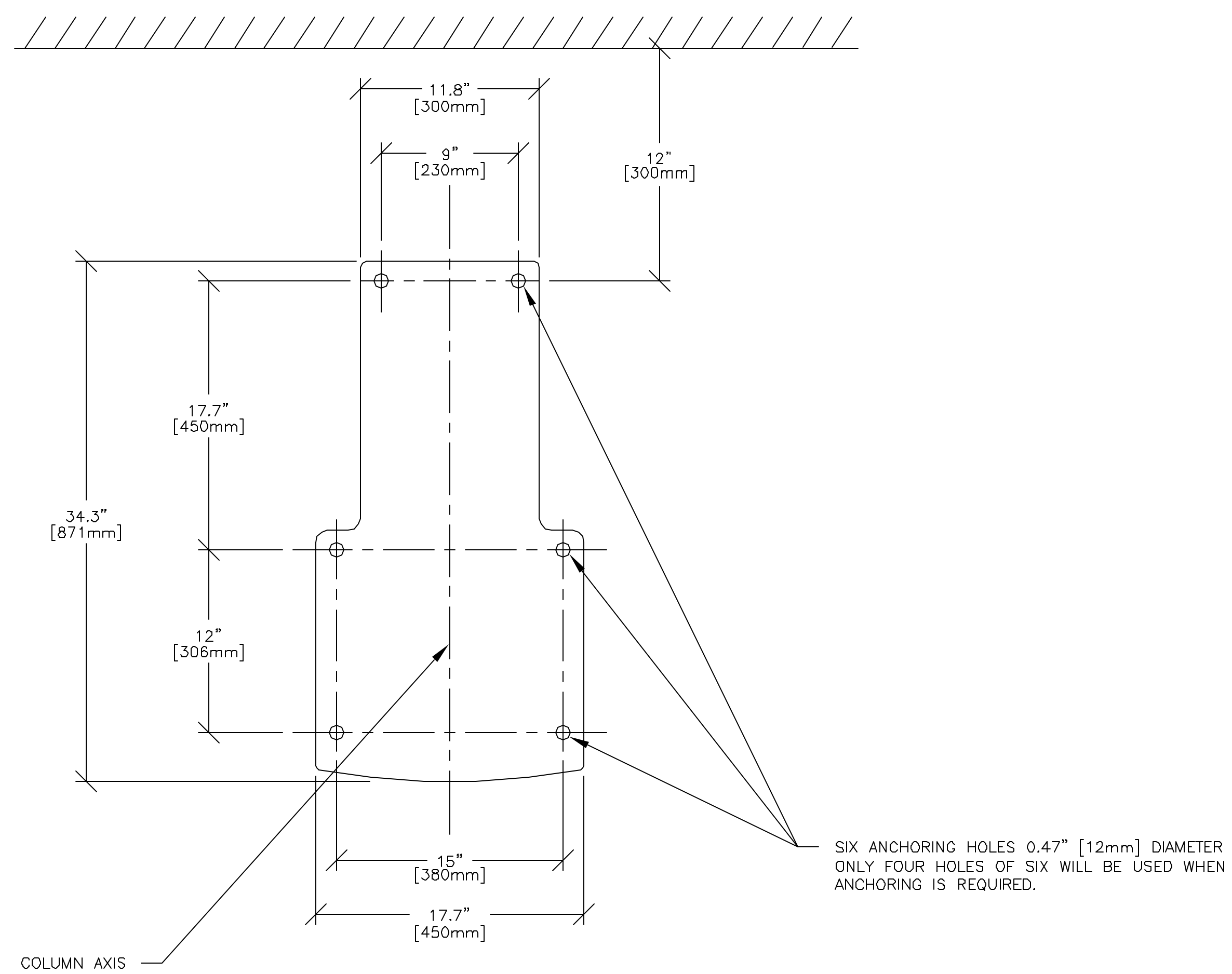
SHEET
 S1

GE Healthcare Technologies
 Installation Services Design Center
 Milwaukee, Wisconsin

FLOOR MOUNTING DETAIL: SENOGRAPHE 700T/800T BASEPLATE

B7110B

REV. DATE: 06/24/96



SHEET TITLE: STRUCTURAL DETAILS
MODALITY TYPE: SENOGRAPHE 700/800T

THIS PLAN IS SUBMITTED TO SUGGEST LOCATION OF GE HEALTHCARE EQUIPMENT AND ASSOCIATED APPARATUS, ELECTRICAL WIRING DETAILS AND ROOM ARRANGEMENTS. THE USER SHALL BE RESPONSIBLE FOR VERIFYING THE LOCATION OF THE EQUIPMENT TO THE ACTUAL CONSTRUCTION PURPOSES. HOWEVER, AND THE COMPANY CANNOT ACCEPT RESPONSIBILITY FOR ANY DAMAGES RESULTING THEREFROM.

PROJECT TITLE:
TYPICAL FINAL
INSTALLATION DRAWING

PROJECT	REVISION
9-18F	00
DATE:	6-16-08
DRAWN BY:	CPC
CHECKED BY:	CPC

REVISION HISTORY:

SHEET
S2

SCALE: 1/4" = 1'-0"

ELECTRICAL PLAN

RECOMMENDED CEILING HEIGHT = 8'-0"

FEEDER TABLE REV. DATE: 09/10/02

- * CALCULATIONS BASED UPON NOMINAL VOLTAGE, WIRE SIZE IN AWG.
- * RECOMMENDED FEEDER SIZES FROM DISTRIBUTION TRANSFORMER TO THE POWER CABINET
- * NEUTRAL MUST BE TERMINATED INSIDE THE MAIN DISCONNECT PANEL AND NOT AT ANY GC CABINET
- * THE GROUNDING CONDUCTOR () WILL BE OF SAME SIZE AS THE FEEDER WIRES WITH A 1/0 MINIMUM. THIS GROUND WILL RUN FROM THE EQUIPMENT BACK TO THE FACILITY POWER SOURCE/MAN GROUNDING POINT AND ALWAYS TRAVEL IN THE SAME CONDUIT WITH THE FEEDERS AND NEUTRAL.
- * IF THE GENERAL ELECTRIC EQUIPMENT IS BEING FED BY A DELTA SECONDARY, IT IS RECOMMENDED THAT THE B PHASE ON THE SECONDARY BE CONNECTED TO GROUND TO PREVENT DAMAGE TO THE SYSTEM.
- * FOR A FULL SYSTEM UPS, REFER TO ELECTRICAL DETAILS FOR UPS FEEDER WIRES.

NOTE 1: ALL WIRE IMPEDANCES MUST BE 0.2 OHMS OR LESS.

MAXIMUM RUN LENGTH IN FEET	POWER SUPPLY VOLTAGE				
	180-220 200	187-229 208	198-242 220	207-253 230	216-264 240
100	2 NO.8 1 NO.8S	2 NO.8 1 NO.8S	2 NO.8 1 NO.8S	2 NO.8 1 NO.8S	2 NO.10 1 NO.10S
200	2 NO.4 1 NO.4S	2 NO.4 1 NO.4S	2 NO.4 1 NO.4S	2 NO.6 1 NO.6S	2 NO.6 1 NO.6S
300	2 NO.2 1 NO.2S	2 NO.3 1 NO.3S	2 NO.3 1 NO.3S	2 NO.4 1 NO.4S	2 NO.4 1 NO.4S
400	2 NO.1 1 NO.1S	2 NO.1 1 NO.1S	2 NO.2 1 NO.2S	2 NO.2 1 NO.2S	2 NO.3 1 NO.3S

ELECTRICAL OUTLET LEGEND

CUSTOMER/CONTRACTOR SUPPLIED AND INSTALLED ITEMS. HEIGHT ABOVE FLOOR DETERMINED BY LOCAL CODES UNLESS OTHERWISE SPECIFIED.

- ⊕ DUPLEX HOSPITAL GRADE, DEDICATED WALL OUTLET 120-V, SINGLE PHASE POWER
- △ DEDICATED TELEPHONE LINE(S) (SEE ELECTRICAL DETAIL ELEC-1)

JUNCTION POINT NOTES

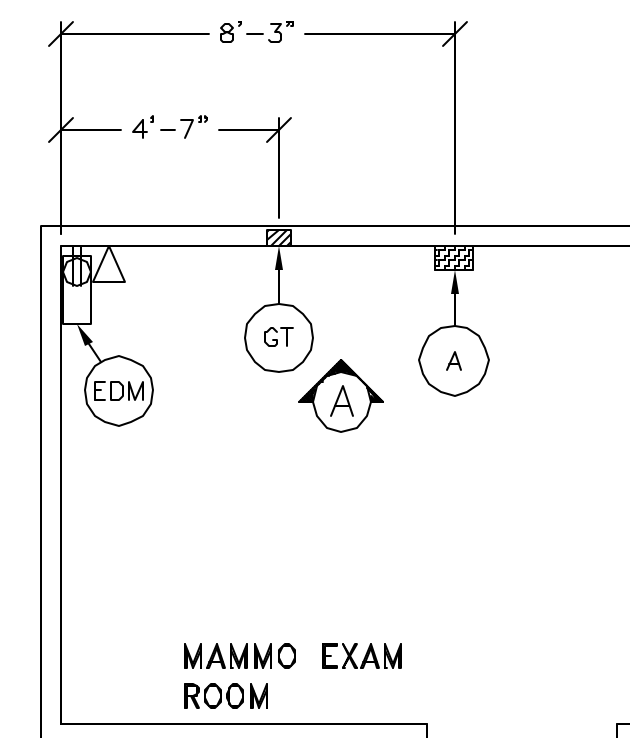
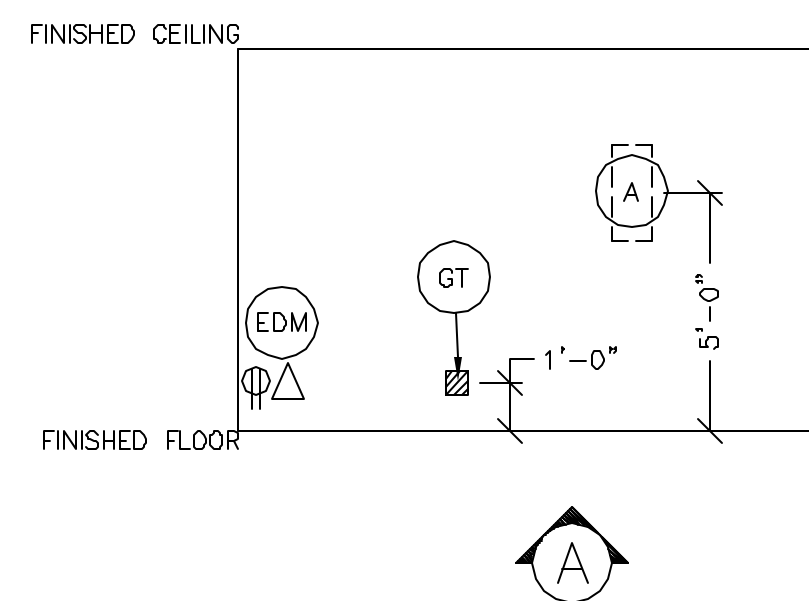
- * ALL JUNCTION BOXES, CONDUIT, DUCT, DUCT DIVIDERS, SWITCHES, CIRCUIT BREAKERS, ETC., ARE TO BE SUPPLIED AND INSTALLED BY CUSTOMER'S ELECTRICAL CONTRACTOR.
- * CONDUIT AND DUCT RUNS SHALL HAVE SWEEP RADIUS BENDS
- * CONDUITS AND DUCT ABOVE CEILING OR BELOW FINISHED FLOOR MUST BE INSTALLED AS NEAR TO CEILING OR FLOOR AS POSSIBLE TO REDUCE RUN LENGTH.
- * CEILING MOUNTED JUNCTION BOXES ILLUSTRATED ON THIS PLAN MUST BE INSTALLED FLUSH WITH FINISHED CEILING.
- * ALL DUCTWORK MUST MEET THE FOLLOWING REQUIREMENTS:
 1. DUCTWORK SHALL BE METAL WITH DIVIDERS AND HAVE REMOVABLE, ACCESSIBLE COVERS.
 2. DUCTWORK SHALL BE CERTIFIED/RATED FOR ELECTRICAL POWER PURPOSES.
 3. DUCTWORK SHALL BE ELECTRICALLY AND MECHANICALLY BONDED TOGETHER IN AN APPROVED MANNER.
 4. PVC AS A SUBSTITUTE MUST BE USED IN ACCORDANCE WITH ALL LOCAL AND NATIONAL CODES.
- * ALL OPENINGS IN ACCESS FLOORING ARE TO BE CUT OUT AND FINISHED OFF WITH GROMMET MATERIAL BY THE CUSTOMER'S CONTRACTOR.
- * GENERAL CONTRACTOR TO INSERT PULL CORDS FOR ALL CABLE RUN CONDUITS BETWEEN THE EQUIPMENT ROOM AND THE OPERATOR'S CONTROL ROOM.
- * 10 FOOT PIGTAILS AT ALL JUNCTION POINTS. NO ALUMINUM OR SOLID WIRES.
- * ALL WIRING MUST BE THHN OR TFFN STRANDED COPPER THERMOPLASTIC 600 VOLT OR EQUIVALENT UNLESS OTHERWISE STATED.
- * GROUNDING IS CRITICAL TO EQUIPMENT FUNCTION AND PATIENT SAFETY. SITE MUST CONFORM TO WIRING SPECIFICATIONS SHOWN ON THIS PLAN.

CONDUIT RUNS FOR MAMMOGRAPHY SYSTEM (BY CONTRACTOR)

REV DATE: 01/01/08

A	TO XG	ONE 1" CND.
A	TO POWER	ONE CONDUIT AS REQ'D

NOTE: SEE E2 PAGE FOR MAXIMUM RUN LENGTHS



JUNCTION POINT DESCRIPTIONS

POINT	DESCRIPTION	QTY.	THE FOLLOWING MATERIALS ARE TO BE SUPPLIED AND INSTALLED BY THE CUSTOMER'S ELECTRICAL CONTRACTOR	
			HARDWARE	DETAIL NO., SHT. E3
A	MAIN DISCONNECT AVAILABLE FROM GEHC CALL 800-558-5102 OR LOCAL GE INSTALLATION PROJECT MANAGER	1	30 AMP FUSED DISCONNECT AND MAGNETIC CONTACTOR, GEMS CAT. NO. E450BEE 'A' PUSHBUTTON AND COVER INCLUDED.	
EDM	EQUIPMENT DIAGNOSTIC MODULE	1	EXTERNALLY CONNECTED	
GT	SEND 700/800T GANTRY	1	6 X 6 X 4 IN. BOX 3/4 IN. STRAIGHT CONNECTOR 1 6 FT. LENGTH OF 3/4 IN. FLEXIBLE METAL CONDUIT 1 COVERPLATE	ELEC-71

CONTRACTOR SUPPLIED AND INSTALLED WIRING
ELECTRICAL CONTRACTOR SHALL RING OUT AND TAG ALL WIRES AT BOTH ENDS.

WIRE RUN, FROM - TO	QUANTITY, WIRE SIZE/COLOR
808-V > A	2-BLACK, 1-WHITE, 1-GREEN (REFER TO FEEDER TABLE FOR SIZE)

GE Healthcare Technologies
Installation Services Design Center
Milwaukee, Wisconsin

SHEET TITLE: ELECTRICAL LAYOUT
MODALITY TYPE: SENOGAPHE 700/800T

THIS PLAN IS SUBMITTED TO SURVEY LOCATION OF GE HEALTHCARE EQUIPMENT AND ASSOCIATED APPARATUS, ELECTRICAL WIRING DETAILS AND ROOM ARRANGEMENTS. THE CONTRACTOR SHALL VERIFY THE LOCATION OF ALL EQUIPMENT AND ROOMS TO BE INSTALLED. THE CONTRACTOR SHALL BE RESPONSIBLE FOR OBTAINING ALL NECESSARY PERMITS AND APPROVALS. THE CONTRACTOR SHALL BE RESPONSIBLE FOR OBTAINING ALL NECESSARY PERMITS AND APPROVALS. THE CONTRACTOR SHALL BE RESPONSIBLE FOR OBTAINING ALL NECESSARY PERMITS AND APPROVALS.

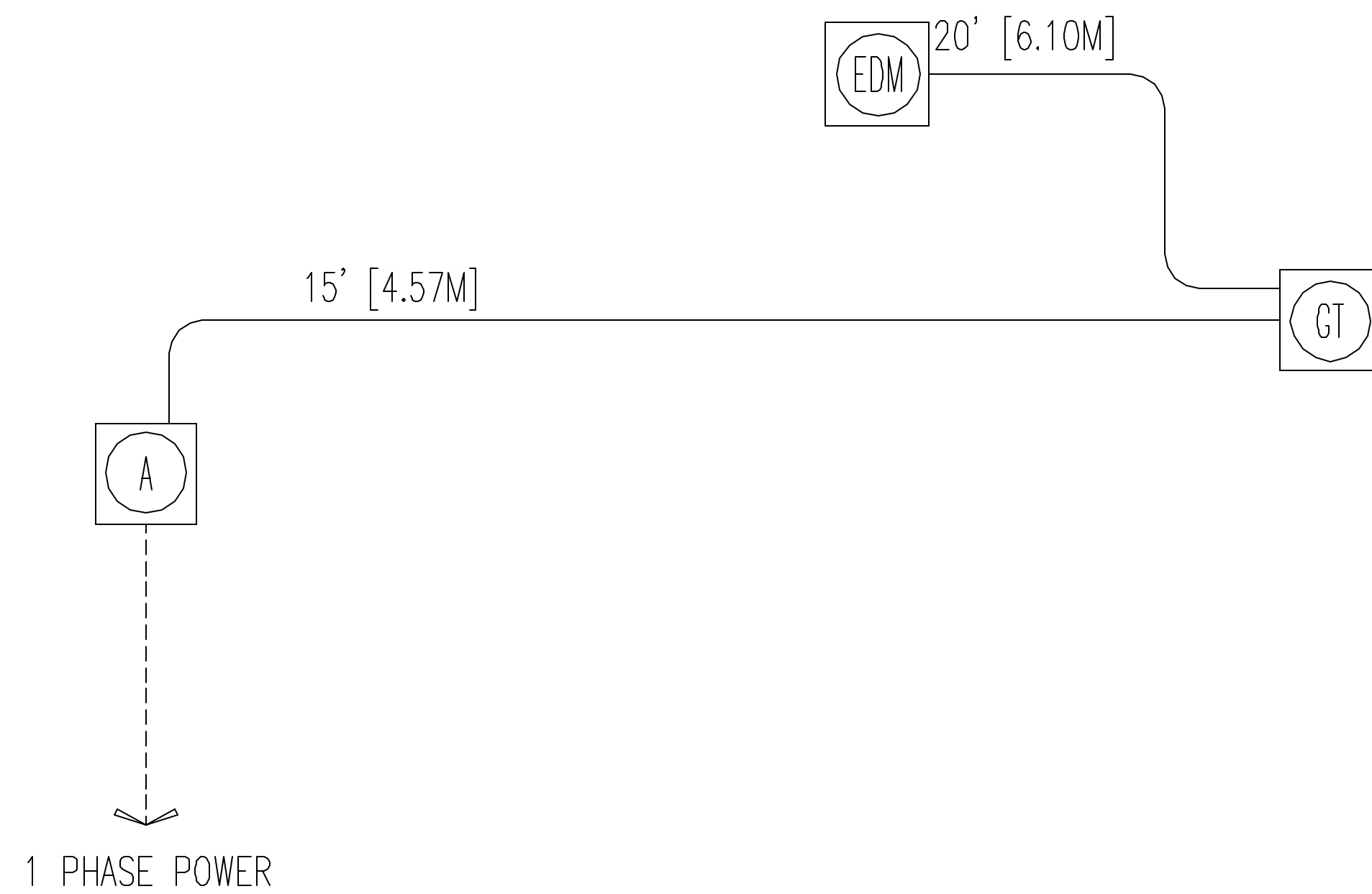
PROJECT TITLE:
**TYPICAL FINAL
INSTALLATION DRAWING**

PROJECT	REVISION
9-18F	00
DATE:	6-16-08
DRAWN BY:	CPC
CHECKED BY:	CPC

REVISION HISTORY:

SHEET
E1

INTERCONNECT DIAGRAM



POWER SPECIFICATIONS

REV. DATE: 01/15/03

SENOGRAPHE 700T/800T

VOLTAGE PRIMARY SOURCE IS REQUIRED FOR ALL INSTALLATIONS.
 RANGE OF LINE VOLTAGES :
 NOMINAL LINE VOLTAGE OF 200 TO 240 1 PHASE, 50 OR 60 Hz.

MAXIMUM DAILY VOLTAGE VARIATION MUST FALL WITHIN ONE OF THE RANGES IN TABLE A.

TABLE A ALLOWABLE INPUT VOLTAGES / CURRENT DEMAND

NOMINAL VOLTAGE	NORMAL RANGE ±10 PERCENT	CURRENT (AMPS)	MINIMUM STANDARD OVERCURRENT PROTECTION
		UP TO 6 SECONDS CONTINUOUS	
200	180 - 220	34	35-A
208	187 - 229	32	35-A
220	198 - 242	31	30-A
230	207 - 253	29	30-A
240	216 - 264	28	30-A

MAXIMUM MOMENTARY LINE CURRENTS INDICATED AT MINIMUM LINE VOLTAGE.

POWER DEMAND

INSTANTANEOUS MAX. POWER DEMAND = 6 KVA. FOR UP TO 6 SECONDS

TABLE B MAXIMUM MOMENTARY POWER DEMAND.

DEMAND	SENOGRAPHE 700T/800T
kVa	6
POWER FACTOR AT	0.95
mA	320
kVp	150

ELECTRICAL NOTES

- NOTE 1: ALL WIRES SPECIFIED SHALL BE STRANDED, FLEXIBLE, THERMO-PLASTIC, COLOR CODED, COPPER ONLY, CUT 10 FOOT LONG AT OUTLET BOXES, DUCT TERMINATION POINTS OR STUBBED CONDUIT ENDS, UNLESS OTHERWISE SPECIFIED. ALL CONDUCTORS, POWER, SIGNAL AND GROUND, MUST BE RUN IN CONDUIT OR DUCT SYSTEM. ELECTRICAL CONTRACTOR SHALL RING OUT AND TAG ALL WIRES AT BOTH ENDS. WIRE RUNS MUST BE CONTINUOUS COPPER AND FREE FROM SPLICES.
- NOTE 2: WIRE SIZES GIVEN ARE FOR USE OF EQUIPMENT. LARGER SIZES MAY BE REQUIRED BY LOCAL CODES.
- NOTE 3: IT IS RECOMMENDED THAT ALL WIRES BE COLOR CODED, AS REQUIRED IN ACCORDANCE WITH NATIONAL AND LOCAL ELECTRICAL CODES.
- NOTE 4: CONDUIT SIZES SHALL BE VERIFIED BY THE ARCHITECT, ELECTRICAL ENGINEER OR CONTRACTOR, IN ACCORDANCE WITH LOCAL OR NATIONAL CODES.
- NOTE 5: CONVENIENCE OUTLETS ARE NOT ILLUSTRATED. THEIR NUMBER AND LOCATION ARE TO BE SPECIFIED BY OTHERS. LOCATE AT LEAST ONE CONVENIENCE OUTLET CLOSE TO THE SYSTEM CONTROL, THE POWER DISTRIBUTION UNIT AND ONE ON EACH WALL OF THE PROCEDURE ROOM. USE HOSPITAL APPROVED OUTLET OR EQUIVALENT.
- NOTE 6: GENERAL ROOM ILLUMINATION IS NOT ILLUSTRATED. CAUTION SHOULD BE TAKEN TO AVOID EXCESSIVE HEAT FROM OVERHEAD SPOTLIGHTS. DAMAGE CAN OCCUR TO CEILING MOUNTING COMPONENTS AND WIRING IF HIGH WATTAGE BULBS ARE USED. RECOMMEND LOW WATTAGE BULBS NO HIGHER THAN 75 WATTS AND USE DIMMER CONTROLS (EXCEPT MR). DO NOT MOUNT LIGHTS DIRECTLY ABOVE AREAS WHERE CEILING MOUNTED ACCESSORIES WILL BE PARKED.
- NOTE 7: ROUTING OF CABLE DUCTWORK, CONDUITS ETC., OTHER THAN SHOWN ON THIS DRAWING MAY RESULT IN THE NEED FOR GREATER THAN STANDARD CABLE LENGTHS (REFER TO THE INTERCONNECTION DIAGRAM FOR MAXIMUM USABLE LENGTHS POINT TO POINT).
- NOTE 8: CONDUIT TURNS TO HAVE LARGE, SWEEPING BENDS WITH MINIMUM RADIUS IN ACCORDANCE WITH NATIONAL AND LOCAL ELECTRICAL CODES.
- NOTE 9: A SPECIAL GROUNDING SYSTEM IS REQUIRED IN ALL PROCEDURE ROOMS BY SOME NATIONAL AND LOCAL CODES. IT IS RECOMMENDED IN AREAS WHERE PATIENTS MIGHT BE EXAMINED OR TREATED UNDER PRESENT, FUTURE, OR EMERGENCY CONDITIONS. CONSULT THE GOVERNING ELECTRICAL CODE AND CONFER WITH APPROPRIATE CUSTOMER ADMINISTRATIVE PERSONNEL TO DETERMINE THE AREAS REQUIRING THIS TYPE OF GROUNDING SYSTEM.
- NOTE 10: THE MAXIMUM POINT TO POINT DISTANCES ILLUSTRATED ON THIS DRAWING MUST NOT BE EXCEEDED.
- NOTE 11: PHYSICAL CONNECTION OF PRIMARY POWER TO GE EQUIPMENT IS TO BE MADE BY CUSTOMERS ELECTRICAL CONTRACTOR WITH THE SUPERVISION OF A GE REPRESENTATIVE. THE GE REPRESENTATIVE WOULD BE REQUIRED TO IDENTIFY THE PHYSICAL CONNECTION LOCATION, AND INSURE PROPER HANDLING OF GE EQUIPMENT.

DIAGRAM KEY

- CUSTOMER/CONTRACTOR SUPPLIED WIRING. ROUTE IN ADEQUATE CONDUIT OR RACEWAY.
- _____ GE FURNISHED CABLE RUNS. ROUTE IN EMPTY CONDUIT OR RACEWAY.
- 59' [18M] MAXIMUM RUN LENGTH BETWEEN JUNCTION POINTS.
Feet [Meters]

GE Healthcare Technologies
 Installation Services Design Center
 Milwaukee, Wisconsin

SHEET TITLE: ELECTRICAL SPECIFICATIONS
 MODALITY TYPE: SENOGAPHE 700/800T
 THIS PLAN IS SUBMITTED TO SURGEST LOCATION OF GE HEALTHCARE EQUIPMENT AND ASSOCIATED APPARATUS, ELECTRICAL WIRING DETAILS AND ROOM ARRANGEMENTS. GE HEALTHCARE TECHNOLOGIES, INC. IS NOT RESPONSIBLE FOR THE ACCURACY OF THE INFORMATION PROVIDED HEREIN. THE USER OF THIS DRAWING SHALL BE RESPONSIBLE FOR VERIFYING THE INFORMATION AND FOR OBTAINING ALL NECESSARY PERMITS AND APPROVALS. GE HEALTHCARE TECHNOLOGIES, INC. ACCEPTS NO LIABILITY FOR ANY DAMAGES RESULTING THEREFROM.

PROJECT TITLE:
**TYPICAL FINAL
 INSTALLATION DRAWING**

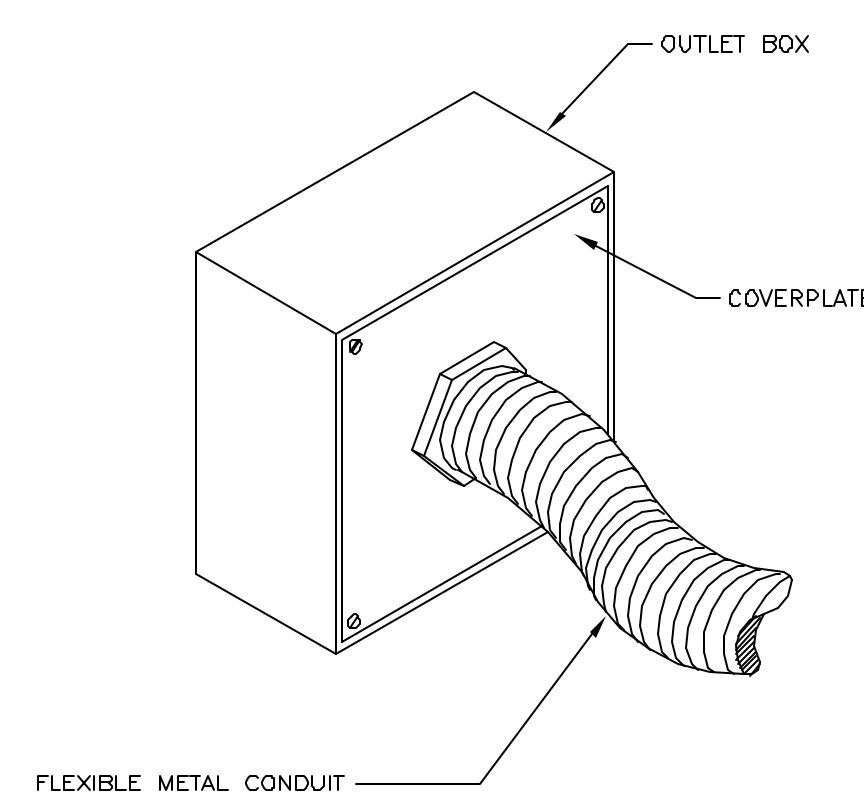
PROJECT	REVISION
9-18F	00
DATE:	6-16-08
DRAWN BY:	CPC
CHECKED BY:	CPC

REVISION HISTORY:

SHEET
E2

ELECTRICAL DETAIL
BOX WITH COVERPLATE (TYPICAL)

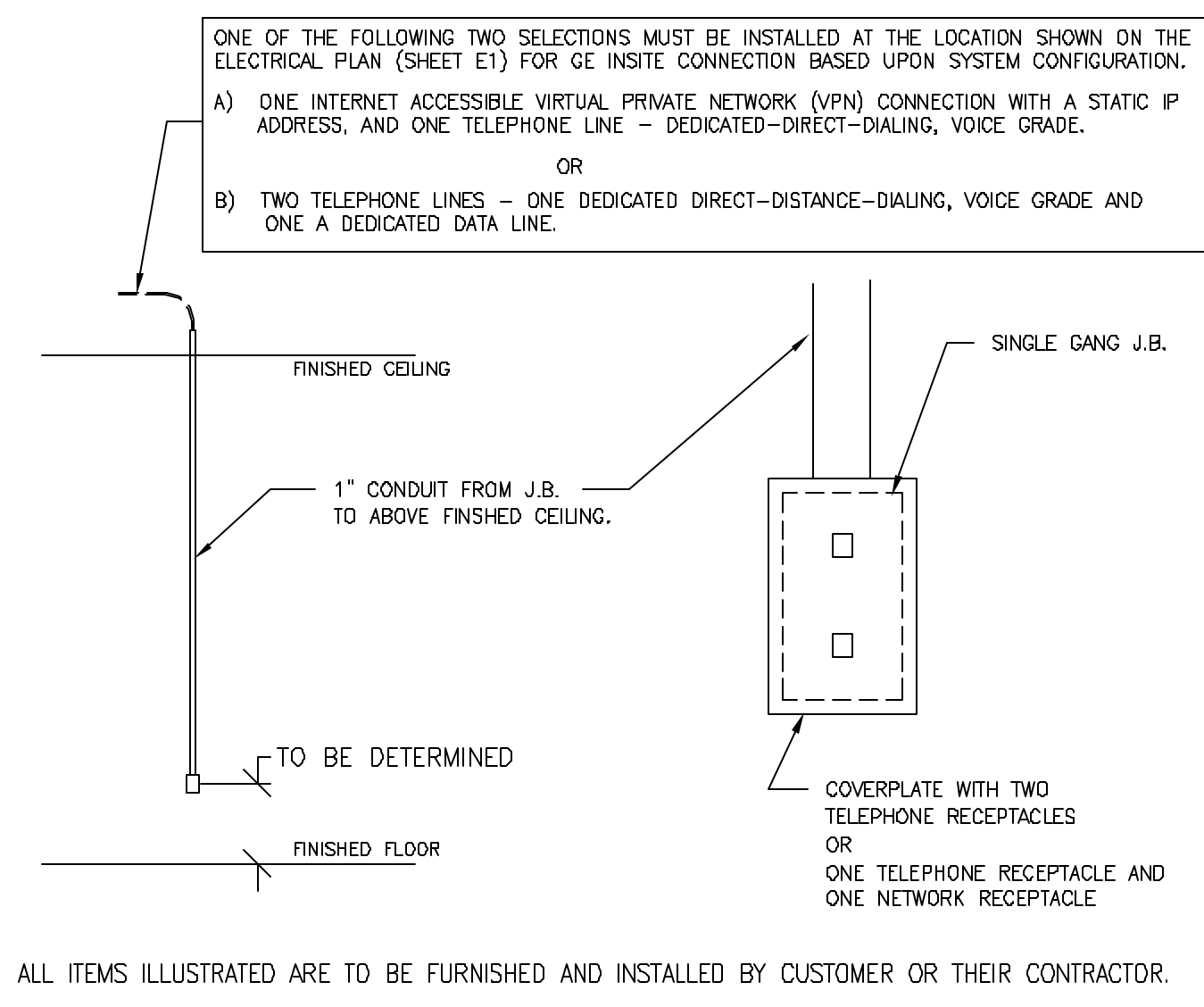
ELEC-71
REV. DATE: 06/04/96



DETAIL NOT TO SCALE

ELECTRICAL DETAIL
INSITE CONNECTION (TYPICAL)

ELEC-1
REV. DATE: 04/24/02



SHEET TITLE: ELECTRICAL DETAILS
MODALITY TYPE: SENOGAPHE 700/800T

THIS PLAN IS SUBMITTED TO SUGGEST LOCATION OF GE HEALTHCARE EQUIPMENT AND ASSOCIATED APPARATUS, ELECTRICAL WIRING DETAILS AND ROOM ARRANGEMENTS. THE COMPANY MAKES NO WARRANTY AS TO THE ACCURACY OF THE INFORMATION PROVIDED TO THE COMPANY. THE COMPANY SHALL NOT BE RESPONSIBLE FOR THE ACTUAL CONSTRUCTION PURPOSES, HOWEVER, AND THE COMPANY CANNOT ACCEPT RESPONSIBILITY FOR ANY DAMAGES RESULTING THEREFROM.

PROJECT TITLE:
TYPICAL FINAL
INSTALLATION DRAWING

PROJECT	REVISION
9-18F	00
DATE:	6-16-08
DRAWN BY:	CPC
CHECKED BY:	CPC

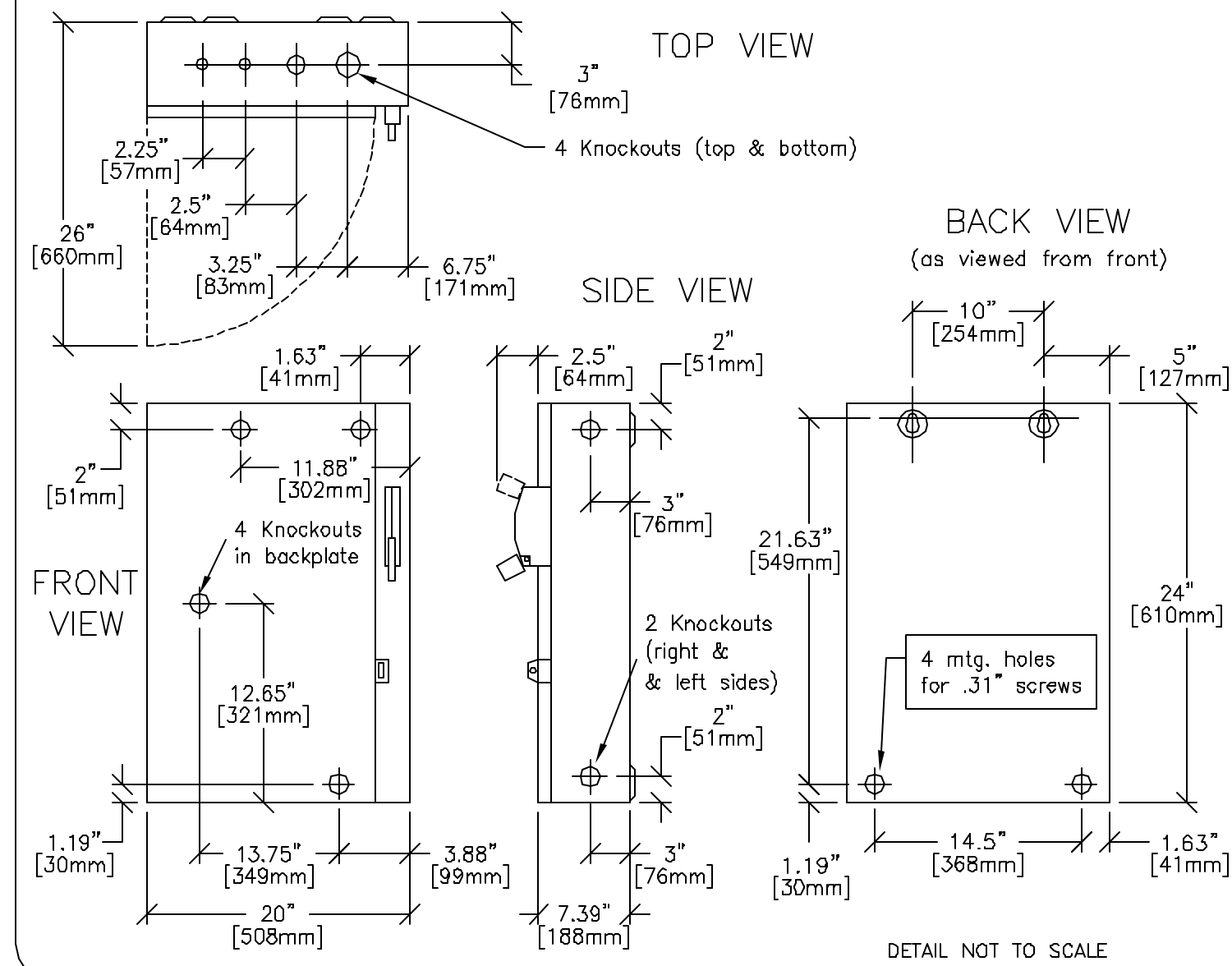
REVISION HISTORY:

SHEET
E3

GE Healthcare Technologies
Installation Services Design Center
Milwaukee, Wisconsin

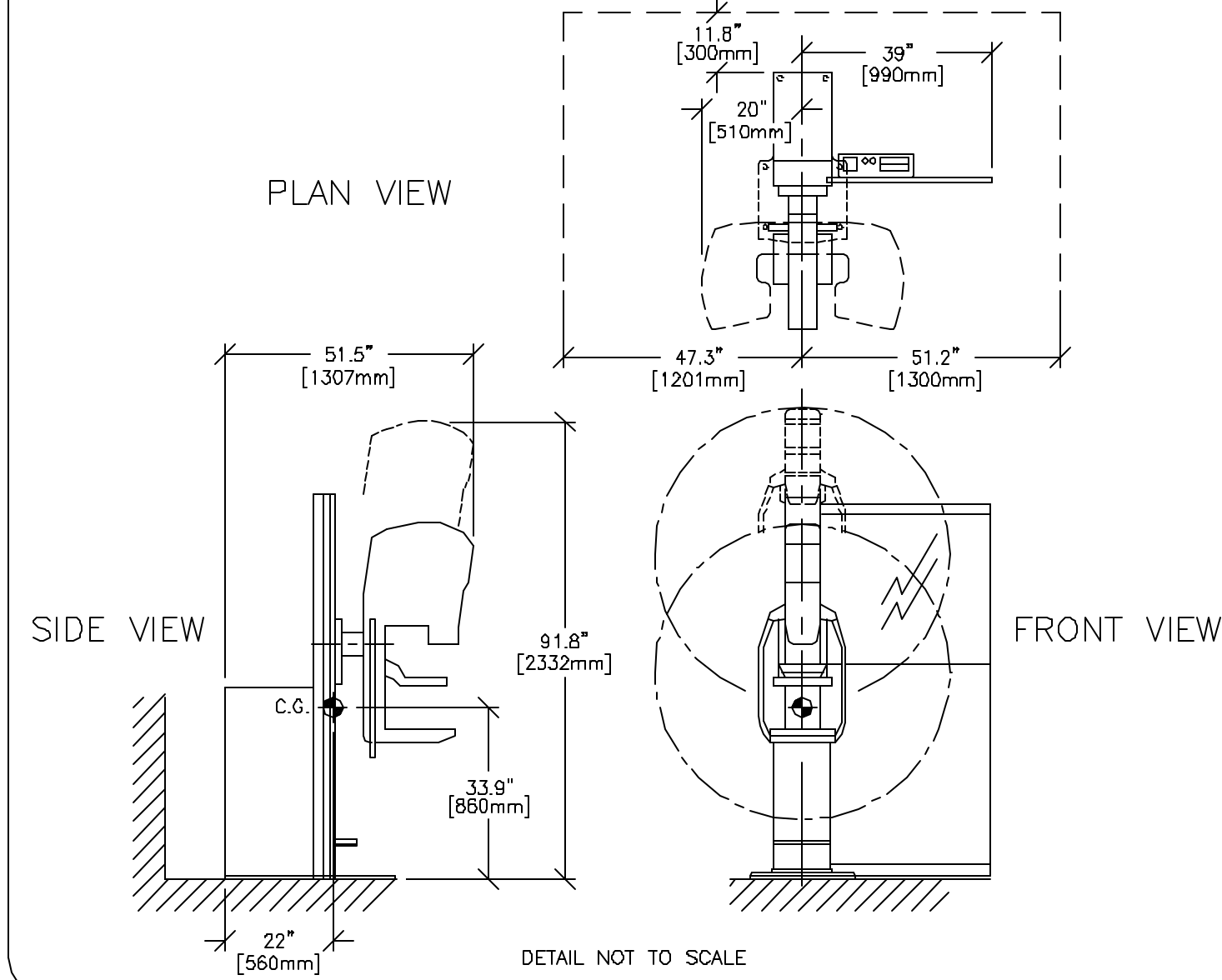
EQUIPMENT DETAIL
MAIN DISCONNECT PANEL, CAT. NO. R4502EE

R4502EE
REV. DATE: 10/11/00



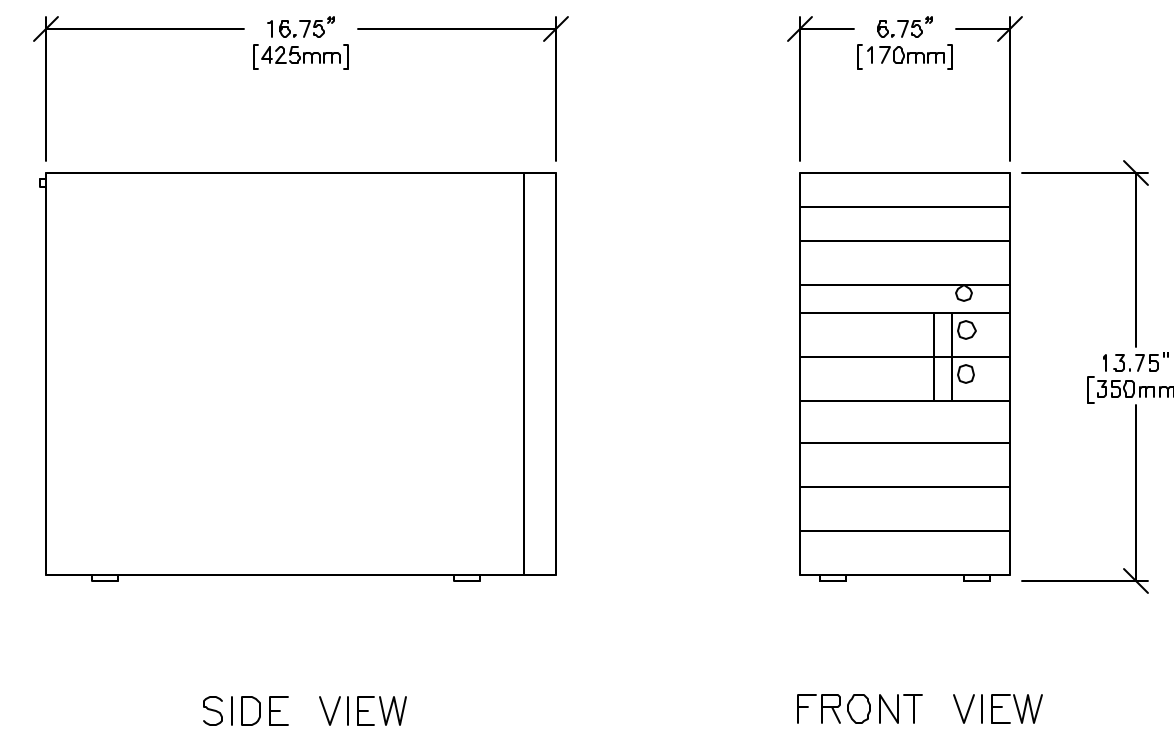
EQUIPMENT DETAIL
SENOGRAPHE 700T/800T COLUMN & ELECTRONICS
WITH RADIOGRAPHIC SHIELD

B71-10A
REV. 01: 08/01/97



EQUIPMENT DETAIL
INSITE EDM

B71-13
REV. DATE: 06/27/96



SHEET TITLE: EQUIPMENT DETAILS
MODALITY TYPE: SENOGAPHE 700/800T

THIS PLAN IS SUBMITTED TO SUGGEST LOCATION OF GE HEALTHCARE EQUIPMENT AND ASSOCIATED APPARATUS, ELECTRICAL WIRING DETAILS AND ROOM ARRANGEMENTS. IT IS NOT TO BE USED FOR CONSTRUCTION OF THE FACILITY UNLESS IT IS SPECIFICALLY APPROVED BY THE ARCHITECT. THE COMPANY ASSUMES NO LIABILITY FOR ANY DAMAGES RESULTING FROM THE USE OF THIS DRAWING FOR ANY PURPOSES, HOWEVER, AND THE COMPANY CANNOT ACCEPT RESPONSIBILITY FOR ANY DAMAGES RESULTING THEREFROM.

PROJECT TITLE:
TYPICAL FINAL
INSTALLATION DRAWING

PROJECT	REVISION
9-18F	00
DATE:	6-16-08
DRAWN BY:	CPC
CHECKED BY:	CPC

REVISION HISTORY:

SHEET
D1

GE Healthcare Technologies
Installation Services Design Center
Milwaukee, Wisconsin