



GE Healthcare
Project Management

GE Healthcare has made reasonable efforts to ensure this BIM file conforms to requirements of the applicable pre-installation manual. This BIM file was produced to assist with site planning and is not intended for construction or final building modeling. GE Healthcare is not responsible for any damages resulting from use of such file for construction or final building modeling purposes. Compliance with all applicable local, state, and federal laws and regulations is the responsibility of the customer or its designated architects and engineers. Please keep in mind the information in this BIM file is dynamic and is subject to change without notice. It is the responsibility of the customer or its designated architect(s) and engineer(s) to ensure they have the latest equipment or product information.

DISCOVERY NMCT 570 - Rendering

Project number	7-72
Date	23.JAN.17
Drawn by	GENPACT
Checked by	

A-1a

Scale 12" = 1'-0"



GE Healthcare
Project Management

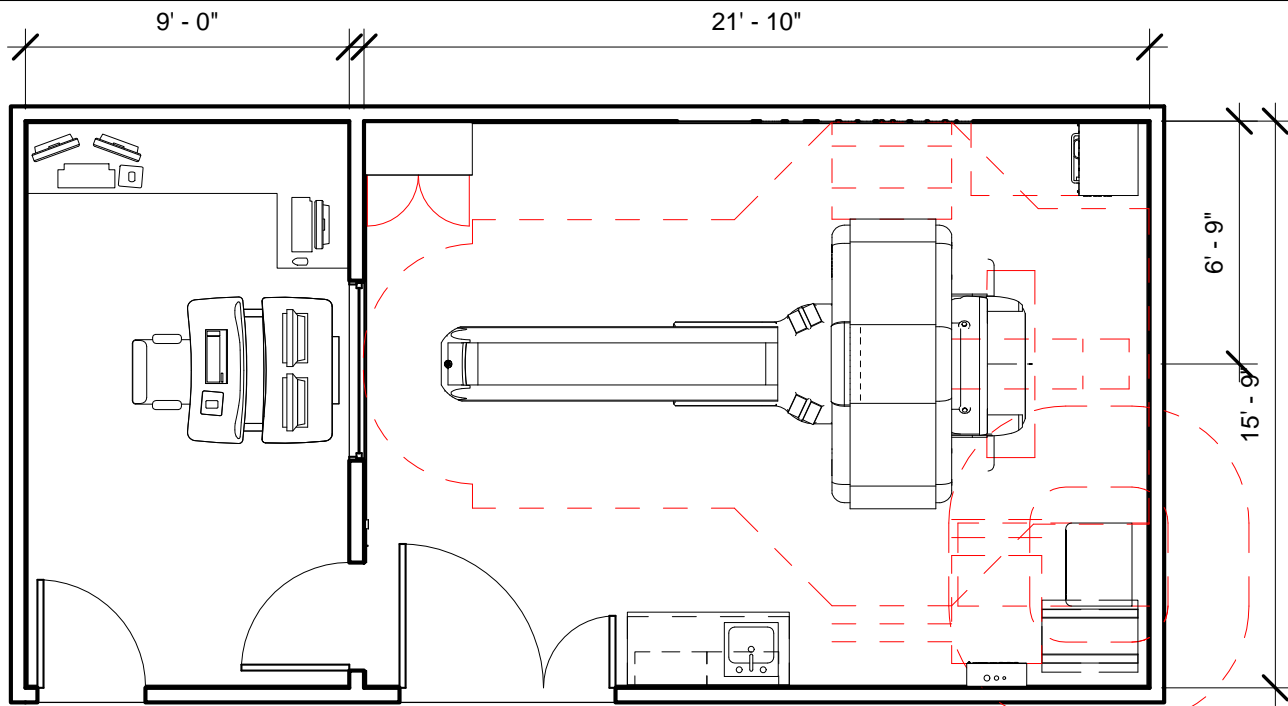
GE Healthcare has made reasonable efforts to ensure this BIM file conforms to requirements of the applicable pre-installation manual. This BIM file was produced to assist with site planning and is not intended for construction or final building modeling. GE Healthcare is not responsible for any damages resulting from use of such file for construction or final building modeling purposes. Compliance with all applicable local, state, and federal laws and regulations is the responsibility of the customer or its designated architects and engineers. Please keep in mind the information in this BIM file is dynamic and is subject to change without notice. It is the responsibility of the customer or its designated architect(s) and engineer(s) to ensure they have the latest equipment or product information.

DISCOVERY NMCT 570 - RENDERING

Project number	7-72
Date	23.JAN.17
Drawn by	GENPACT
Checked by	

A-1b

Scale 12" = 1'-0"



Equipment Schedule

Description	Weight lbs	BTU
OPERATORS CONSOLE	493	6000
STORAGE CABINET	99	0
CT TABLE	1250	703
XELERIS WORKSTATION	55	255
OPERATORS CONSOLE DESK MOUNTED	99	273
POWER DISTRIBUTION UNIT	815	3412
UPS	619	5122
MAIN DISCONNECT	125	0
GANTRY CT & NUC	5477	46180
INTEGRATED POWER SUPPLY	171	204



GE Healthcare
Project Management

GE Healthcare has made reasonable efforts to ensure this BIM file conforms to requirements of the applicable pre-installation manual. This BIM file was produced to assist with site planning and is not intended for construction or final building modeling. GE Healthcare is not responsible for any damages resulting from use of such file for construction or final building modeling purposes. Compliance with all applicable local, state, and federal laws and regulations is the responsibility of the customer or its designated architects and engineers. Please keep in mind the information in this BIM file is dynamic and is subject to change without notice. It is the responsibility of the customer or its designated architect(s) and engineer(s) to ensure they have the latest equipment or product information.

DISCOVERY NMCT 570 - PLAN

Project number	7-72
Date	23.JAN.17
Drawn by	GENPACT
Checked by	

A-2

Scale 3/16" = 1'-0"

Hold the Left Click for Rotating around
Use the Scroll for Zooming in and out



DISCOVERY NMCT 570



GE Healthcare

[Click for Site Planning Support](#)