



**GE Healthcare
Project Management**

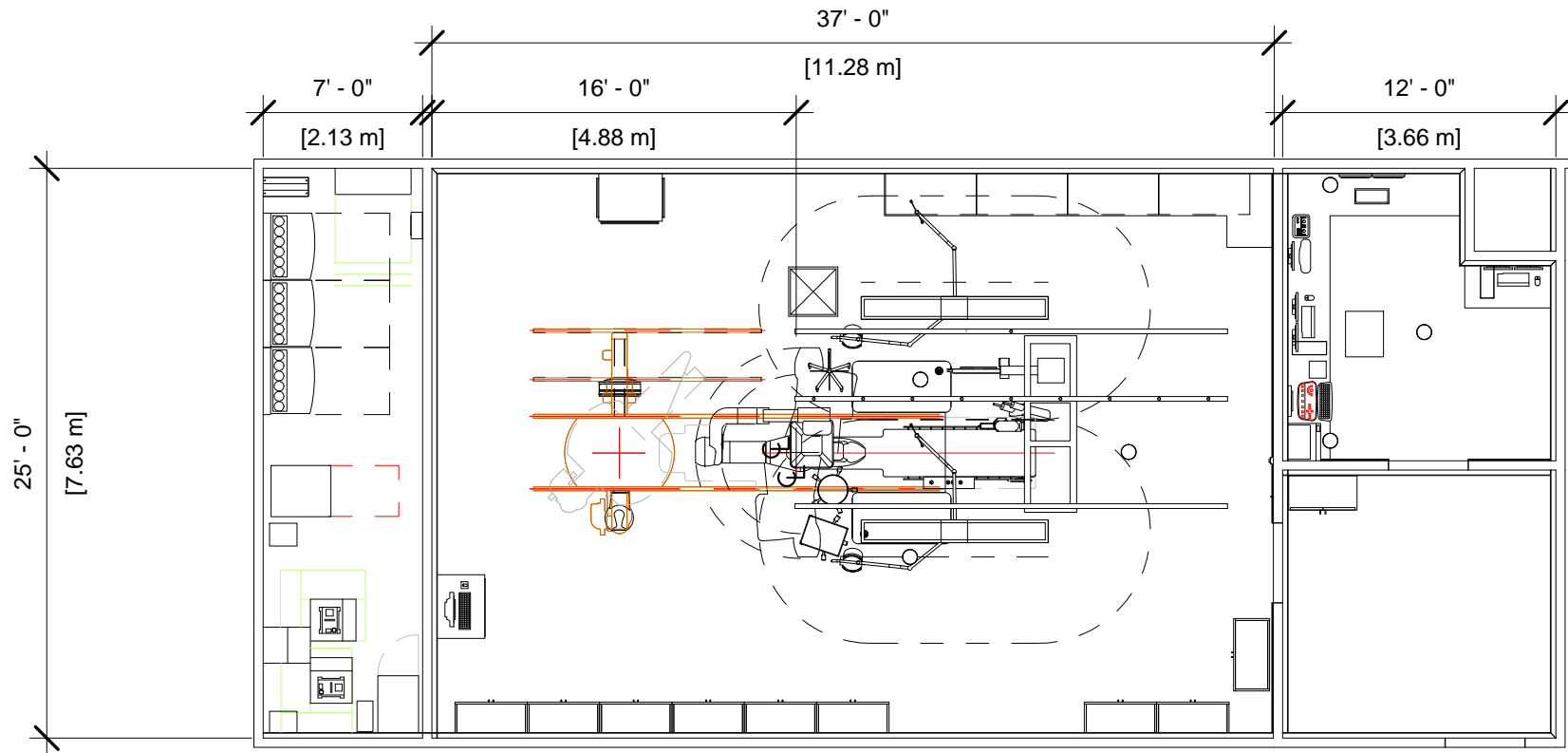
GE Healthcare has made reasonable efforts to ensure this BIM file conforms to requirements of the applicable pre-installation manual. This BIM file was produced to assist with site planning and is not intended for construction or final building modeling. GE Healthcare is not responsible for any damages resulting from use of such file for construction or final building modeling purposes. Compliance with all applicable local, state, and federal laws and regulations is the responsibility of the customer or its designated architects and engineers. Please keep in mind the information in this BIM file is dynamic and is subject to change without notice. It is the responsibility of the customer or its designated architect(s) and engineer(s) to ensure they have the latest equipment or product information.

INNOVA IGS 620/630 - RENDERING

Project number	4-72
Date	06.DEC.16
Drawn by	GENPACT
Checked by	-

A-1

Scale 12" = 1'-0"



**GE Healthcare
Project Management**

GE Healthcare has made reasonable efforts to ensure this BIM file conforms to requirements of the applicable pre-installation manual. This BIM file was produced to assist with site planning and is not intended for construction or final building modeling. GE Healthcare is not responsible for any damages resulting from use of such file for construction or final building modeling purposes. Compliance with all applicable local, state, and federal laws and regulations is the responsibility of the customer or its designated architects and engineers. Please keep in mind the information in this BIM file is dynamic and is subject to change without notice. It is the responsibility of the customer or its designated architect(s) and engineer(s) to ensure they have the latest equipment or product information.

INNOVA IGS 620/630 - PLAN

Project number	4-72
Date	06.DEC.16
Drawn by	GENPACT
Checked by	Checker

A-2

Scale 1/8" = 1'-0"

Specialty Equipment Schedule

Description	Weight (lbs)	BTU
Control Room		
18 in. MONITOR ON WALL SUPPORT	26	204
18 in. MONITOR ON WALL SUPPORT	26	204
IVUS VOLCANO S5i CONSOLE, INCLUDES FLAT PANEL MONITOR AND KEYBOARD (DESK MOUNTED)	68	1631
MAC LAB	566	2935
COLOR PRINTER	0	1054
COLOR PRINTER	0	1054
VATALINQ CONSOLE		
VATALINQ MICROPHONE		
REMOTE CONTROL FOR INJECTOR	4	0
AW WORKSTATION	81	1201
AW WORKSTATION	81	1201
AW WORKSTATION	81	1201
Operators Console	22.00 lbs	546
Equipment Room		
3 KVA UPS CABINET	81	546
AP DETECTOR CHILLER	33	709
AP DETECTOR CHILLER	33	709
INNOVA MAIN DISCONNECT, REFERENCE JUNCTION POINT 'A' ON SHEET E1 FOR DETAILED DESCRIPTION.	899	2215
INJECTOR ELECTRONICS	37	320
150-AMP LOCAL SERVICE DISCONNECT FOR LOCK-OUT TAG-OUT CAPABILITY. (MAY BE A FUSED DISCONNECT, CIRCUIT BREAKER OR SAFETY SWITCH.)	0	0
20 KVA UPS CABINET	1170	4061

Specialty Equipment Schedule

Description	Weight (lbs)	BTU
ATLAS CABINET C1F	888	4413
ATLAS CABINET C1L	703	2945
ATLAS CABINET C2	621	4570
COOLIX 4100 WATER CHILLER	264	18725
LARGE DISPLAY MONITOR CABINET	253	3412
3 KVA UPS CABINET (IGS)	99	546
COOLIX 4100 AUTOTRANSFORMER	66	238
COOLIX 4100 AUTOTRANSFORMER	66	238
COOLIX 4100 WATER CHILLER	264	18725
Exam Room		
COUNTERBALANCED EYE AND THYROID SHIELD WITH R96 LAMP	143	0
LATERAL POSITIONER BRIDGE MOUNT ASSEMBLY MOUNTED FROM CEILING SUPPORTS	1421	4126
NURSE WORSTATION	46	692
COUNTERBALANCED EYE AND THYROID SHIELD WITH R96 LAMP	143	0
INJECTOR HEAD ON TABLE RAIL	15	0
INNOVA POSITIONER (REFERENCE TABLE BASE-PLATE DETAIL FOR FLOOR MOUNTING INFORMATION)	1653	2416
OMEGA IV/V TABLE WITH ROTATING TOP	1300	614
FOUR LCD MONITOR SUSPENSION	485	1157
Storage Room		
STORAGE CABINET	0	0



**GE Healthcare
Project Management**

GE Healthcare has made reasonable efforts to ensure this BIM file conforms to requirements of the applicable pre-installation manual. This BIM file was produced to assist with site planning and is not intended for construction or final building modeling. GE Healthcare is not responsible for any damages resulting from use of such file for construction or final building modeling purposes. Compliance with all applicable local, state, and federal laws and regulations is the responsibility of the customer or its designated architects and engineers. Please keep in mind the information in this BIM file is dynamic and is subject to change without notice. It is the responsibility of the customer or its designated architect(s) and engineer(s) to ensure they have the latest equipment or product information.

INNOVA IGS 620/630 - SCHEDULE

Project number	4-72
Date	06.DEC.16
Drawn by	GENPACT
Checked by	

A-3

Scale

Hold the Left Click for Rotating around
Use the Scroll for Zooming in and out



Bi-Plane Innova IGS 630



GE Healthcare

Click for Site Planning Support