

DISCLAIMER

GENERAL SPECIFICATIONS

- GE is not responsible for the installation of developers and associated equipment, lighting, cassette trays and protective screens or derivatives not mentioned in the order.
- The final study contains recommendations for the location of GE equipment and associated devices, electrical wiring and room arrangements. When preparing the study, every effort has been made to consider every aspect of the actual equipment expected to be installed.
- The layout of the equipment offered by GE, the dimensions given for the premises, the details provided for the pre-installation work and electrical power supply are given according to the information noted during on-site study and the wishes expressed by the customer.
- The room dimensions used to create the equipment layout may originate from a previous layout and may not be accurate as they may not have been verified on site. GE cannot take any responsibility for errors due to lack of information.
- Dimensions apply to finished surfaces of the room.
- Actual configuration may differ from options presented in some typical views or tables.
- If this set of final drawings has been approved by the customer, any subsequent modification of the site must be subject to further investigation by GE about the feasibility of installing the equipment. Any reservations must be noted.
- The equipment layout indicates the placement and interconnection of the indicated equipment components. There may be local requirements that could impact the placement of these components. It remains the customer's responsibility to ensure that the site and final equipment placement complies with all applicable local requirements.
- All work required to install GE equipment must be carried out in compliance with the building regulations and the safety standards of legal force in the country concerned.
- These drawings are not to be used for actual construction purposes. The company cannot take responsibility for any damage resulting therefrom.

CUSTOMER RESPONSIBILITIES

- It is the responsibility of the customer to prepare the site in accordance with the specifications stated in the final study. A detailed site readiness checklist is provided by GE. It is the responsibility of the customer to ensure all requirements are fulfilled and that the site conforms to all specifications defined in the checklist and final study. The GE Project Manager of Installation (PMI) will work in cooperation with the customer to follow up and ensure that actions in the checklist are complete, and if necessary, will aid in the rescheduling of the delivery and installation date.
- Prior to installation, a structural engineer of record must ensure that the floor and ceiling is designed in such a way that the loads of the installed system can be securely borne and transferred. The layout of additional structural elements, dimensioning and the selection of appropriate installation methods are the sole responsibility of the structural engineer. Execution of load bearing structures supporting equipment on the ceiling, floor or walls are the customer's responsibility.

RADIO-PROTECTION

- Suitable radiological protection must be determined by a qualified radiological physicist in conformation with local regulations. GE does not take responsibility for the specification or provision of radio-protection.

THE UNDERSIGNED, HEREBY CERTIFIES THAT I HAVE READ AND APPROVED THE PLANS IN THIS DOCUMENT.		
DATE	NAME	SIGNATURE

CUSTOMER SITE READINESS REQUIREMENTS

REQUIRED MANUALS FOR SYSTEM PRE-INSTALLATION

Description	Document Number*
Product specific Pre-installation Manual	Refer to cover page
*documents can be accessed in multiple languages at https://www.gehealthcare.com/support/manuals	

- A mandatory component of this drawing set is the GE HealthCare Pre-installation manual. Failure to reference the Pre-installation manual will result in incomplete documentation required for site design and preparation.
- The items on the GE HealthCare Site Readiness Checklists listed below are REQUIRED to facilitate equipment delivery to the site. Equipment will not be delivered if these requirements are not satisfied.

REQUIRED SITE-READINESS CHECKLISTS FOR SYSTEM PRE-INSTALLATION

Modality	Document Number*
Computerized Tomography	DOC2949059
Radiology, Radiology and Fluoroscopy, Mammography, Bone Mass Densitometry	DOC2949063
All modality Customer/Contractor Worksheet	DOC2949068
*documents can be accessed in multiple languages at https://www.gehealthcare.com/support/manuals	

- Any deviation from these drawings must be communicated in writing to and reviewed by your local GE HealthCare installation project manager prior to making changes.
- Make arrangements for any rigging, special handling, or facility modifications that must be made to deliver the equipment to the installation site. If desired, your local GE HealthCare installation project manager can supply a reference list of rigging contractors.
- New construction requires the following;
 1. Secure area for equipment,
 2. Power for drills and other test equipment,
 3. Restrooms.
- Provide for refuse removal and disposal (e.g. crates, cartons, packing)
- For CT systems it is required to minimize vibrations within the scan room. It is the customer's responsibility to contract a vibration consultant/engineer to implement site design modifications to meet the GE vibration specification. Refer to the system Pre-installation manual for vibration specifications.

ENVIRONMENTAL SPECIFICATIONS

MAGNETIC INTERFERENCE

To guarantee specified imaging performance:

X-ray tubes and control console equipment must be located in ambient static field of less than 10 gauss.

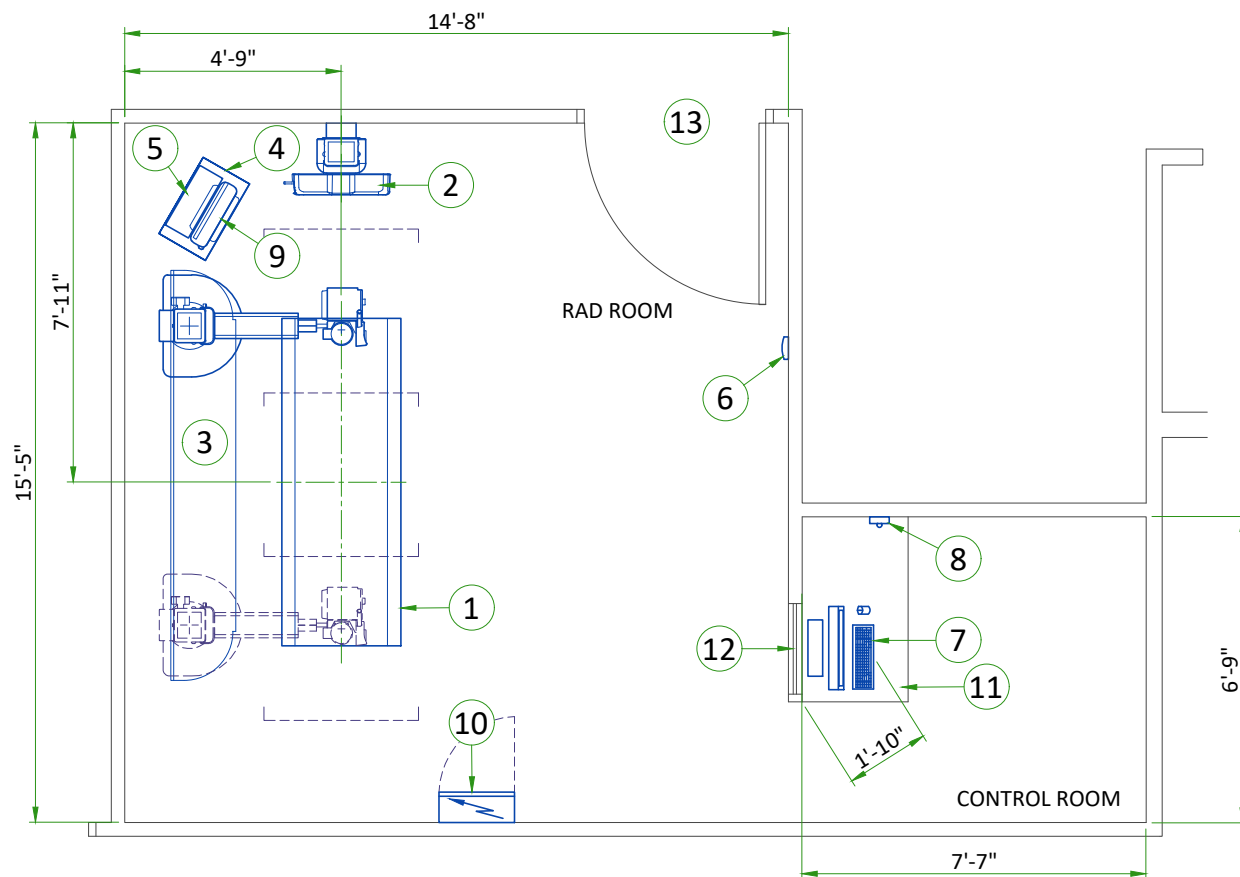
Digital flat panel must be located in ambient static magnetic fields of less than 1 gauss.

To guarantee data integrity:

System electronics must be located in ambient static magnetic fields of less than 10 gauss.

To obtain specified geometric linearity:

Operators console equipment must be located in ambient static magnetic fields of less than 10 gauss.



LEGEND

A	GE SUPPLIED	D	AVAILABLE FROM GE
B	GE SUPPLIED/CONTRACTOR INSTALLED	E	EQUIPMENT EXISTING IN ROOM
C	CUSTOMER/CONTRACTOR SUPPLIED AND INSTALLED	*	ITEM TO BE REINSTALLED FROM ANOTHER SITE

BY	ITEM	DESCRIPTION	MAX HEAT OUTPUT (BTU/h)	WEIGHT (lbs)	MAX HEAT OUTPUT (W)	WEIGHT (kg)
A	1	ELEVATING TABLE	425	617	124.6	280
A	2	WALL STAND	425	320	124.6	145
A	3	TUBE STAND	876	761	256.6	345
A	4	GENERATOR	546	209	160	95
A	5	INTERFACE BOX	-	24	-	11
A	6	ACCESS POINT	-	2	-	1
A	7	CS7 CONSOLE	-	37	-	17
A	8	PC AUTO ON OFF	-	1	-	0.6
A	9	BATTERY CHARGER/DOCKING STATION	-	13	-	6
B	10	MAIN DISCONNECT PANEL (MDP)	-	150	-	68
C	11	COUNTER TOP FOR EQUIPMENT- PROVIDE GROMMETED OPENINGS AS REQUIRED TO ROUTE CABLES				
C	12	CONTROL WALL TO CEILING WITH LEAD GLASS VIEWING WINDOW				
C	13	MINIMUM OPENING FOR EQUIPMENT DELIVERY IS 900 mm x 2030 mm [35.4 in x 80 in], CONTINGENT ON A 2438 mm [96 in] CORRIDOR WIDTH				

THE FOLLOWING SHOTS ARE NOT AVAILABLE IN THIS LAYOUT

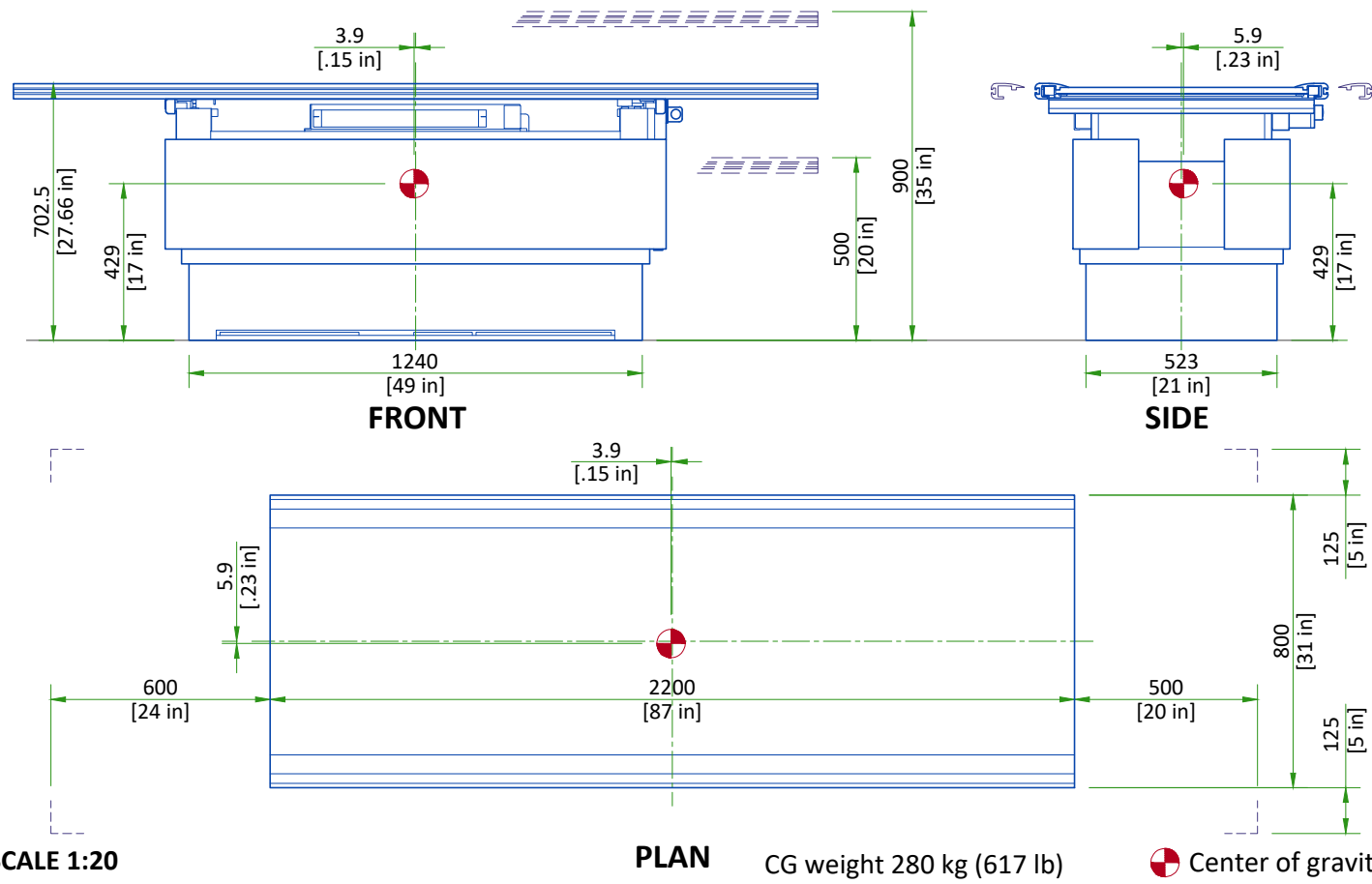
180° OFF-TABLE IMAGING

Exam room height

Finished floor to slab height	TBD
Finished ceiling height	rec. 9'-6"

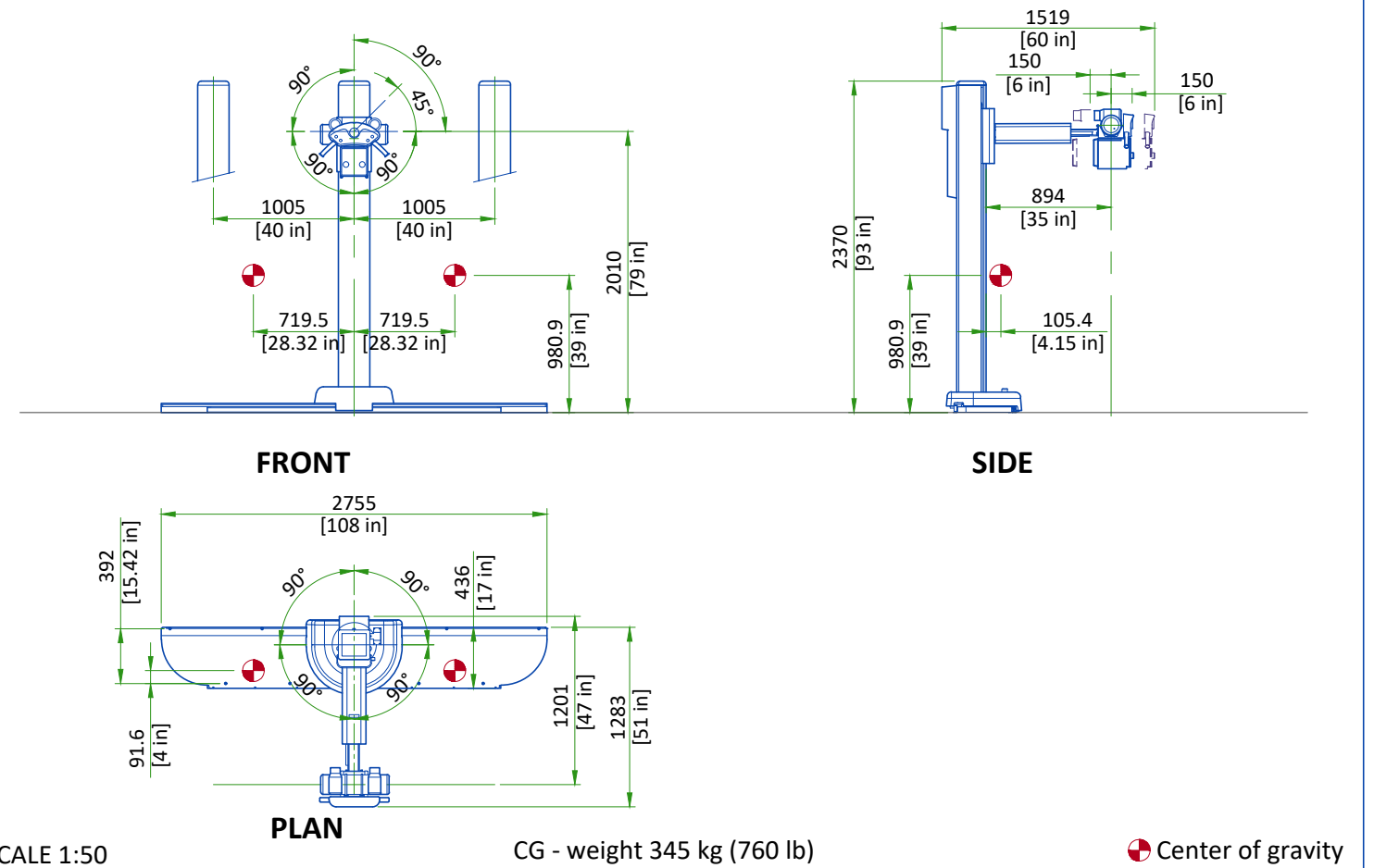
For Accessory Sales: (866) 281-7545 Options 1, 2, 1, 2 or mail to: gehaccessorysales@ge.com

ELEVATING TABLE



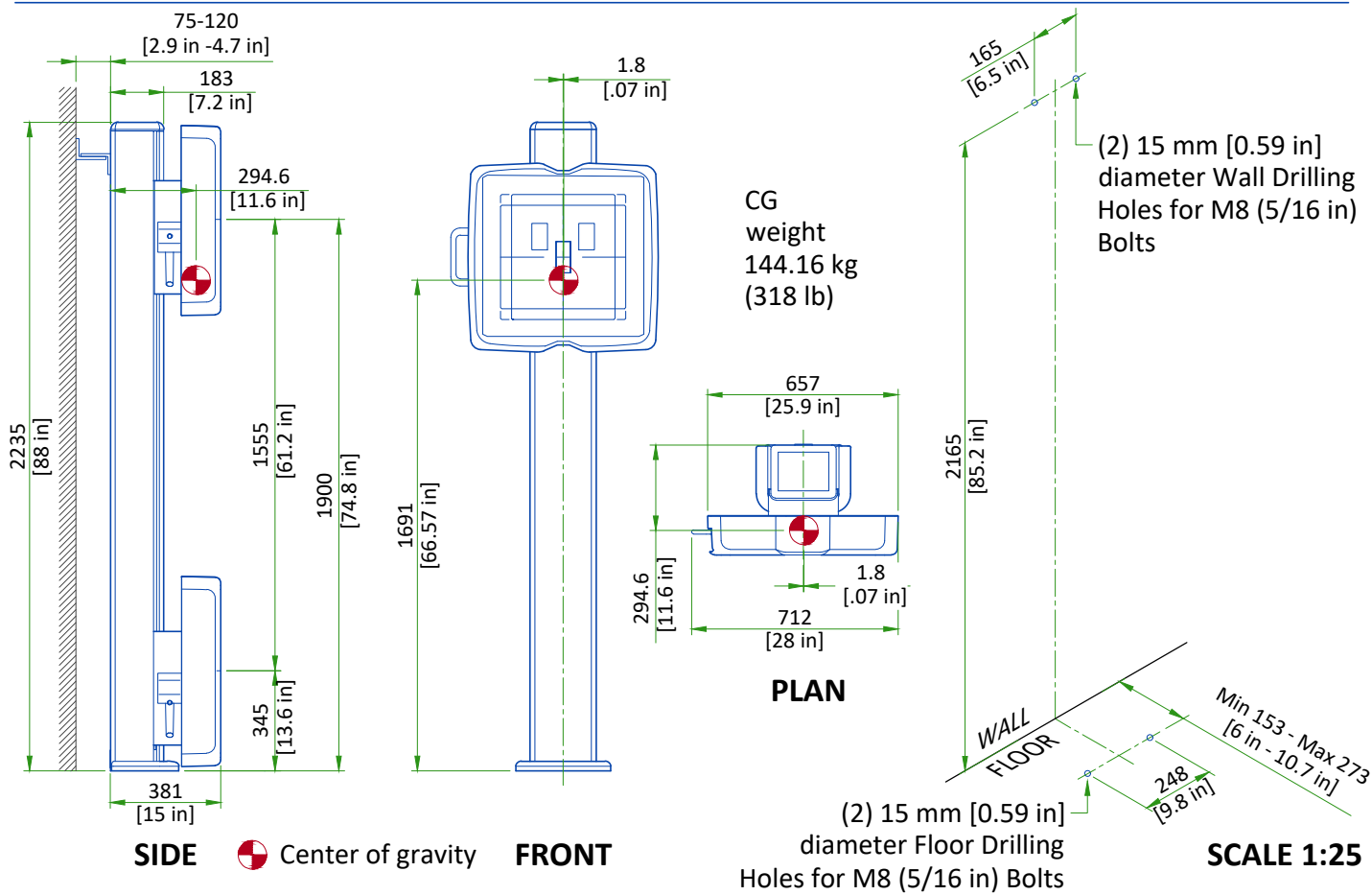
SCALE 1:20

AT/ET TUBE STAND



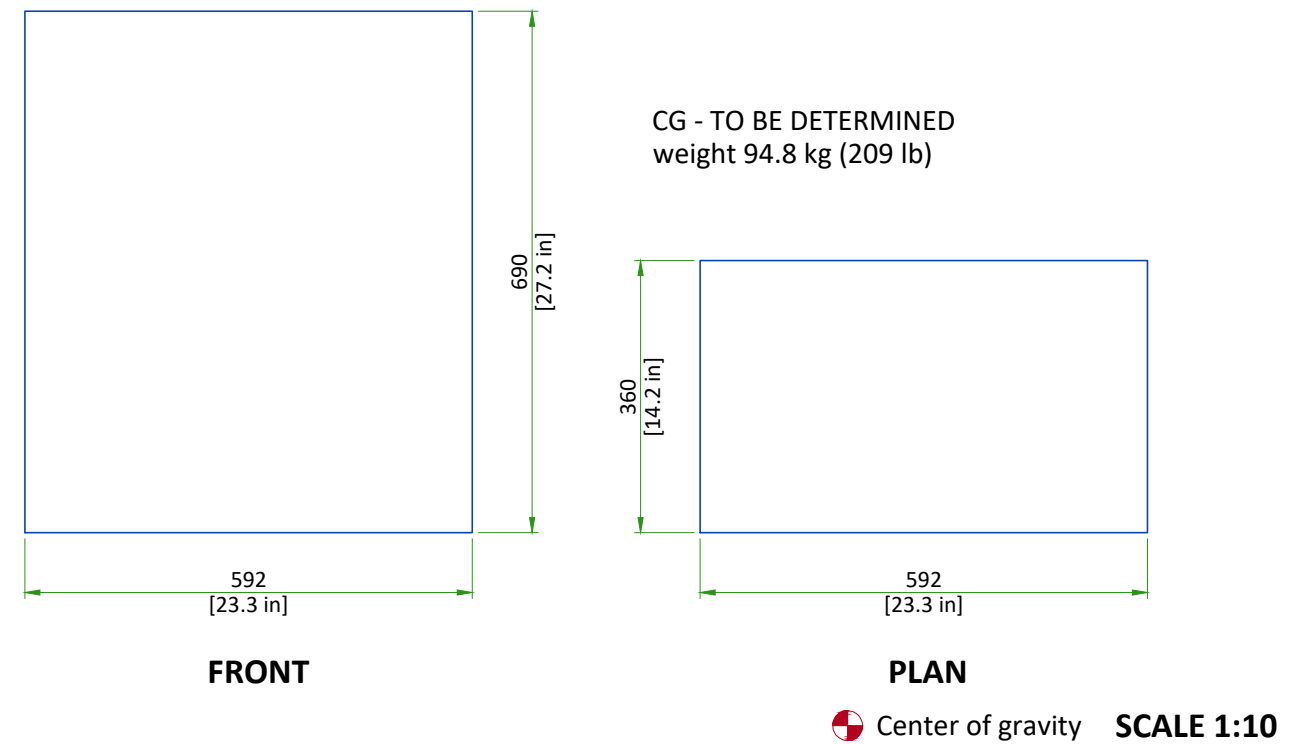
SCALE 1:50

WALL STAND



SCALE 1:25

GENERATOR



SCALE 1:10

DELIVERY

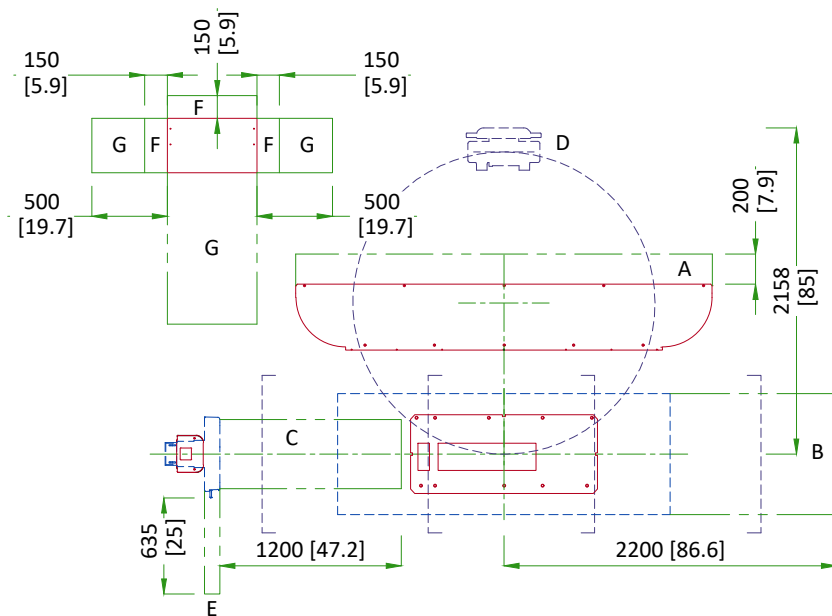
THE CUSTOMER/CONTRACTOR SHOULD:

- Provide an area adjacent to the installation site for delivery and unloading of the GE equipment.
- Ensure that the dimensions of all doors, corridors, ceiling heights are sufficient to accommodate the movement of GE equipment from the delivery area into the definitive installation room.
- Ensure that access routes for equipment will accommodate the weights of the equipment and any transportation, lifting and rigging equipment.
- Ensure that all necessary arrangements for stopping and unloading on public or private property not belonging to the customer have been made.

AT/ET SHIPPING DIMENSIONS AND WEIGHTS

	TUBE STAND COLUMN WITH COLLIMATOR, X-RAY TUBE, HV CABLES AND TABLE TOP	TUBE STAND BASE	ELEVATING TABLE	STANDARD WALL STAND	GENERATOR WITH PC INTERFACE BOX AND CABLES
LENGTH cm (in.)	2420 mm (95.3 in)	2820 mm (111 in)	1540 mm (60.6 in)	2280 mm (89.7 in)	1070 mm (42.1 in)
WIDTH cm (in.)	870 mm (34.3 in)	670 mm (26.4 in)	840 mm (33.1 in)	850 mm (33.4 in)	620 mm (24.4 in)
HEIGHT cm (in.)	1050 mm (41.3 in)	350 mm (13.8 in)	960 mm (37.8 in)	500 mm (19.6 in)	740 mm (29.1 in)
WEIGHT kg (lbs)	414 kg (912 lb)	104 kg (229 lb)	376 kg (828 lb)	208 kg (458 lb)	140 kg (308 lb)

EXAM ROOM CLEARANCE AREAS



- A: **INSTALL AREA:**
Minimum space required to utilize the tube stand dollies
- B: **SERVICE AREA:**
Minimum area to allow you to draw the table top out to open a service area for detector housing
- C: **AREA** to ensure the SID 1m below table top
- D: **OPERATION AREA:**
Used when tube column rotates 180°. Does not include tech work space.
- E: **OPERATION AREA:**
Used when opening the wall bucky.
- F: **OPERATION AREA:**
Ventilation required 150 mm [5.9"].
- G: **SERVICE AREA:**
Service area required when generator is anchored in seismic zones.

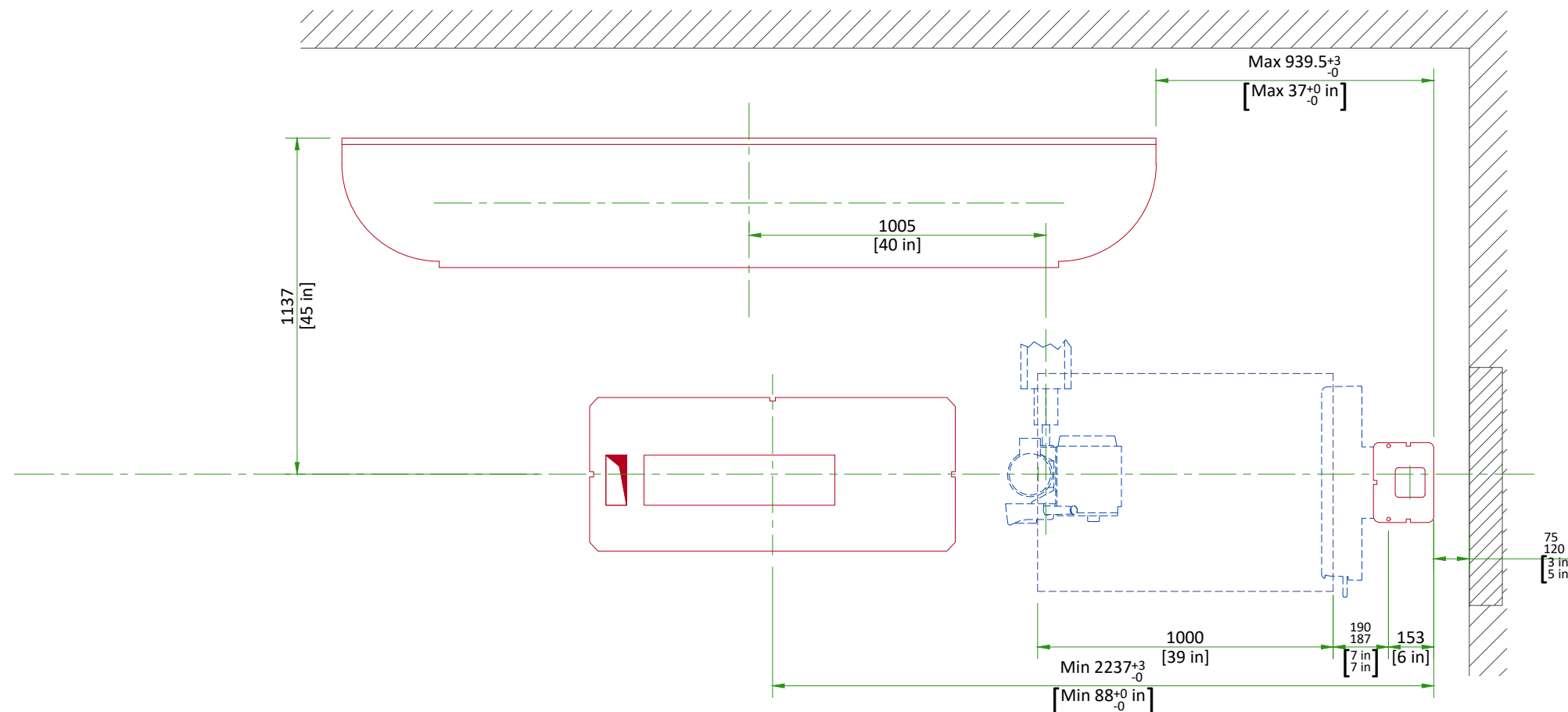
Note: if the WS is on the right side, area B will be on the left side

SCALE 1:50

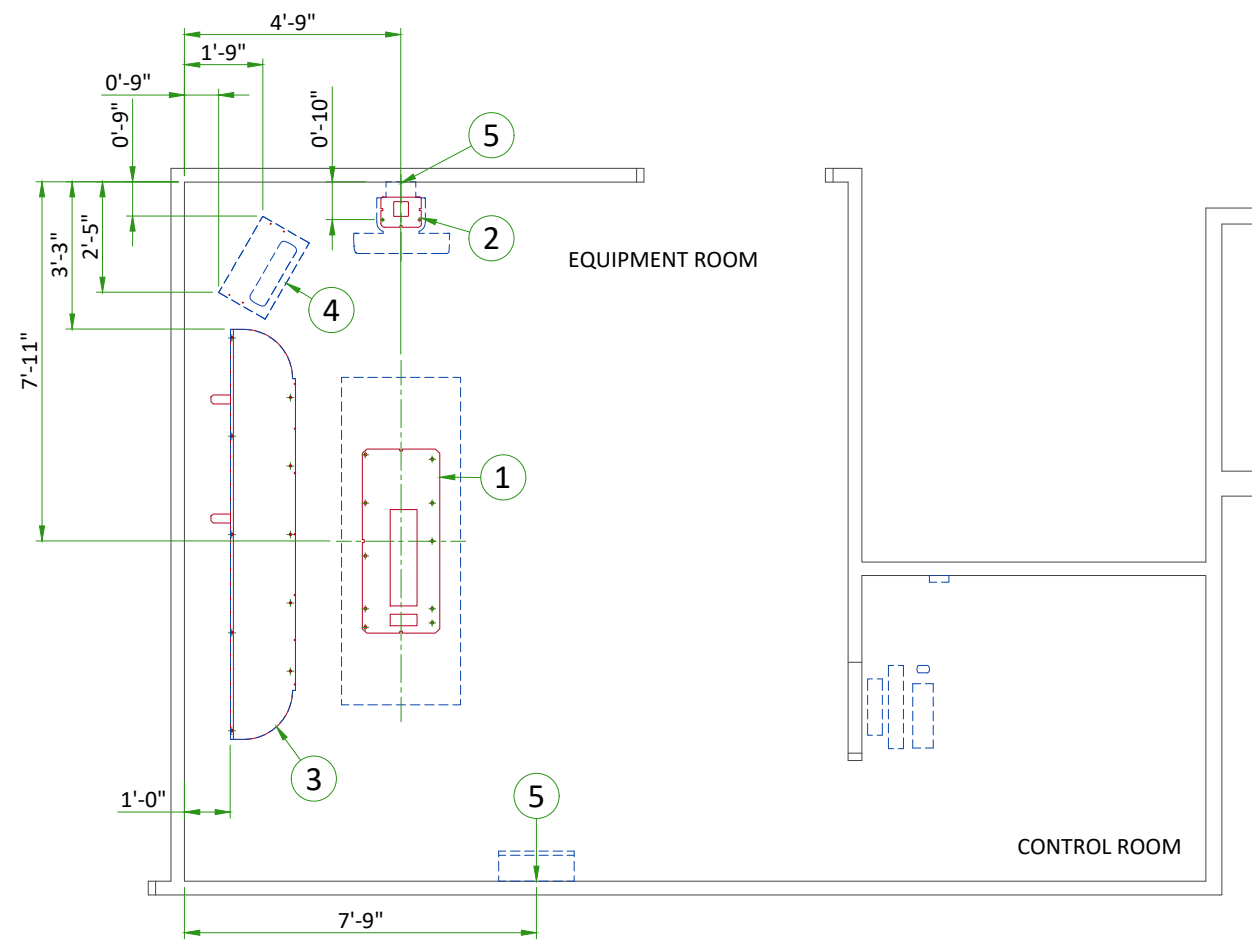
STRUCTURAL NOTES

- Methods of support for the steelwork that will permit attachment to structural steel or through bolts in concrete construction should be favored. Do not use concrete or masonry anchors in direct tension.
- All units that are wall mounted or wall supported are to be provided with supports where necessary. Wall supports are to be supplied and installed by the customer or his contractors. See plan for suggested locations.
- Control walls shall be constructed to minimum 2130mm (7'-0") high.
- Dimensions are to finished surfaces of room.
- Customers contractor must provide all penetrations in post tension floors.
- Customers contractor must provide and install any non-standard anchoring. Documents for standard anchoring methods are included with GE equipment drawings for geographic areas that require such documentation.
- Customers contractor must provide and install hardware for "through the floor" anchoring and/or any bracing under access floors. This contractor must also provide floor drilling that cannot be completed because of an obstruction encountered while drilling by the GE installer such as rebar etc.
- It is the customer's responsibility to perform any floor or wall penetrations that may be required. The customer is also responsible for ensuring that no subsurface utilities (e.g., electrical or any other form of wiring, conduits, piping, duct work or structural supports (i.e. post tension cables or rebar) will interfere or come in contact with subsurface penetration operations (e.g. drilling and installation of anchors/screws) performed during the installation process. To ensure worker safety, GE installers will perform surface penetration operations only after the customer's validation and completion of the "GE surface penetration permit".
- Different anchor types are used to install the components of the system. Refer to Structural Requirements Section(s) of the Pre-Installation Manual for each anchor requirement.
- Refer to the Structural Requirements Section for the required minimum embedment.
- The ground surface must be flat and leveled, maximum tolerance for leveling is ± 1.5 mm per 1 m (0.2 in per 10 ft). If the tolerances are not met by using the spacers provided, a grout pad shipped with the system is to be used by the contractor to meet this specification. The maximum pad thickness is 6.3 mm (0.25 in).

WALL STAND LOCATION DIMENSIONS

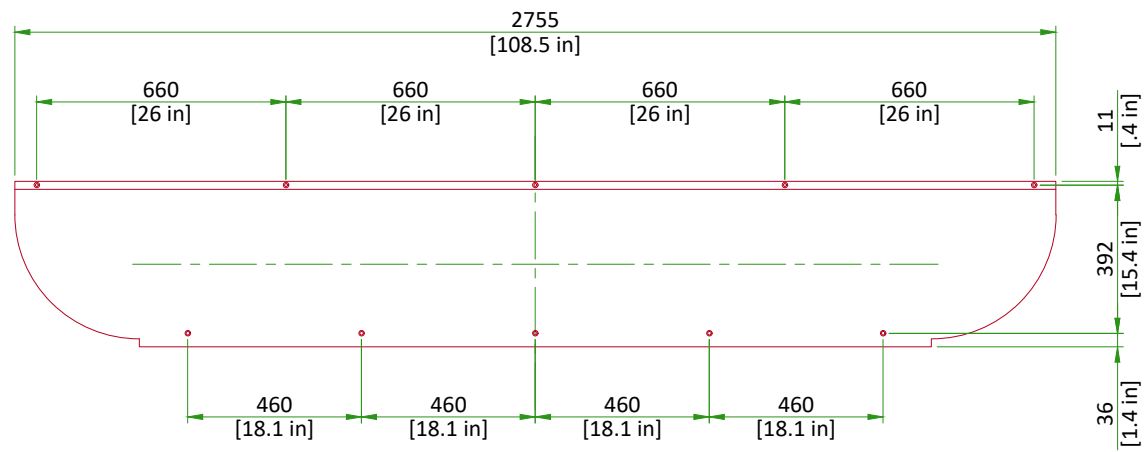


The typical equipment positions shown ensure the 1000 mm [40 in] SID below the table top. The tube stand install dolly clearances and surface horizontal wall duct on the back wall are taken into account. Site the system according to the dimensions on the Equipment Layout.



ITEM	DESCRIPTION
(GE SUPPLIED / CONTRACTOR INSTALLED)	
1	Table Anchoring
2	Wall Stand Floor Anchoring and Wall Support (refer to detail on page A3)
3	Tube Stand Anchoring
4	Generator Floor Contact Area
(CONTRACTOR SUPPLIED & INSTALLED)	
5	Support backing, locate as shown.

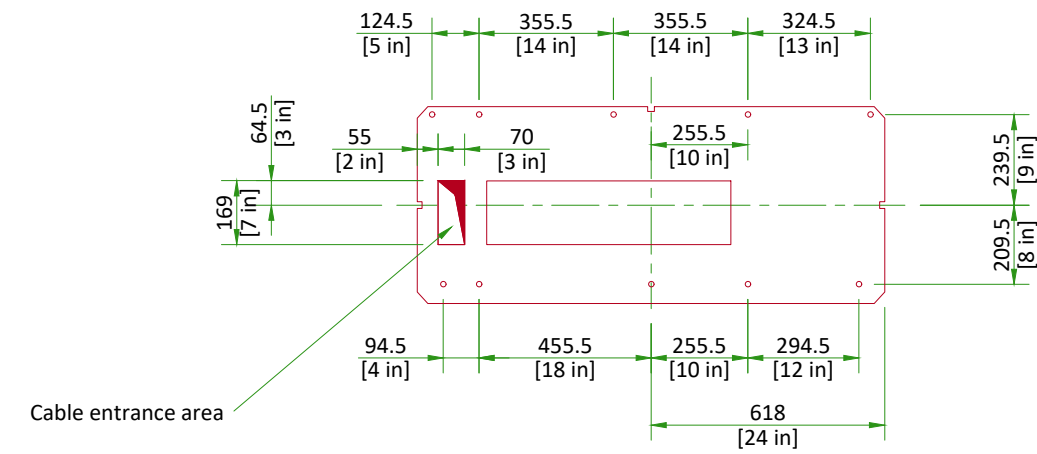
AT/ET TUBE STAND BASEPLATE



All anchor holes (total 10) are $\varnothing 12$ mm [$\varnothing 0.47$ in]
Older unit (pre-2019) anchor holes are $\varnothing 10$ mm [$\varnothing 0.39$ in]

Scale 1:20

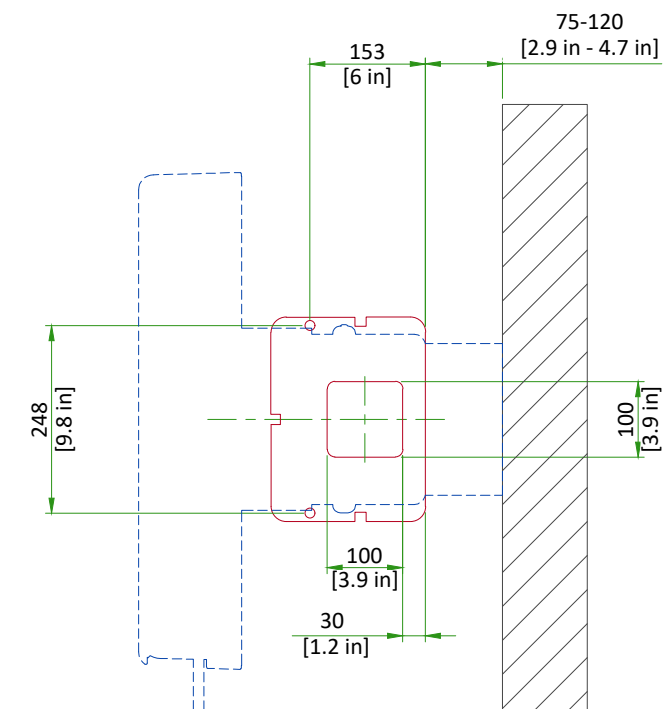
AT/ET TABLE BASEPLATE



All anchor holes (total 10) are $\varnothing 15$ mm [$\varnothing 0.59$ in]
Older unit (pre-2019) anchor holes are $\varnothing 10$ mm [$\varnothing 0.39$ in]

Scale 1:20

WALL STAND BASEPLATE



All anchor holes (2 on floor, 2 on wall) are $\varnothing 15$ mm [$\varnothing 0.59$ in]
Older unit (pre-2019) anchor holes are $\varnothing 10$ mm [$\varnothing 0.39$ in]

Scale 1:10

TEMPERATURE AND HUMIDITY SPECIFICATIONS

IN-USE CONDITIONS

	EXAM ROOM		CONTROL ROOM	
	Min	Max	Min	Max
Temperature	10°C (50°F)	40°C (104°F)	T.B.D.	T.B.D.
Relative humidity (1)	30% to 75%		T.B.D.	
Heat output	W	BTU/h	W (In Use)	BTU/h (In Use)
	523.6	1784.8	97.3	332.5

Exam room heat output assumes a working cycle of one [1] patient every two [2] minutes during one [1] hour.

The optional docking station can be sited in the exam room or the control room. It adds 70.3 W (240 BTU/h) to the heat load.

STORAGE CONDITIONS

Temperature	5°C to 60°C (41°F to 140°F)
Relative humidity (1)	20% to 90%

Material should not be stored for more than 90 days.

(1) non-condensing

AIR RENEWAL

According to local standards.

NOTE

In case of using air conditioning systems that have a risk of water leakage it is recommended not to install it above electric equipment or to take measures to protect the equipment from dropping water.

CONNECTIVITY REQUIREMENTS

Broadband Connections are necessary during the installation process and going forward to ensure full support from the Engineering Teams for the customers system. Maximum performance and availability for the customers system is maintained and closely monitored during the lifetime of the system. Proactive and reactive maintenance is available utilising the wide range of digital tools using the connectivity solutions listed below:

- Site-to-Site VPN/GE Solution
- Site-to-Site VPN/Customer Solution
- Connection through Dedicated Service Network
- Internet Access - connectivity for InSite 2.0

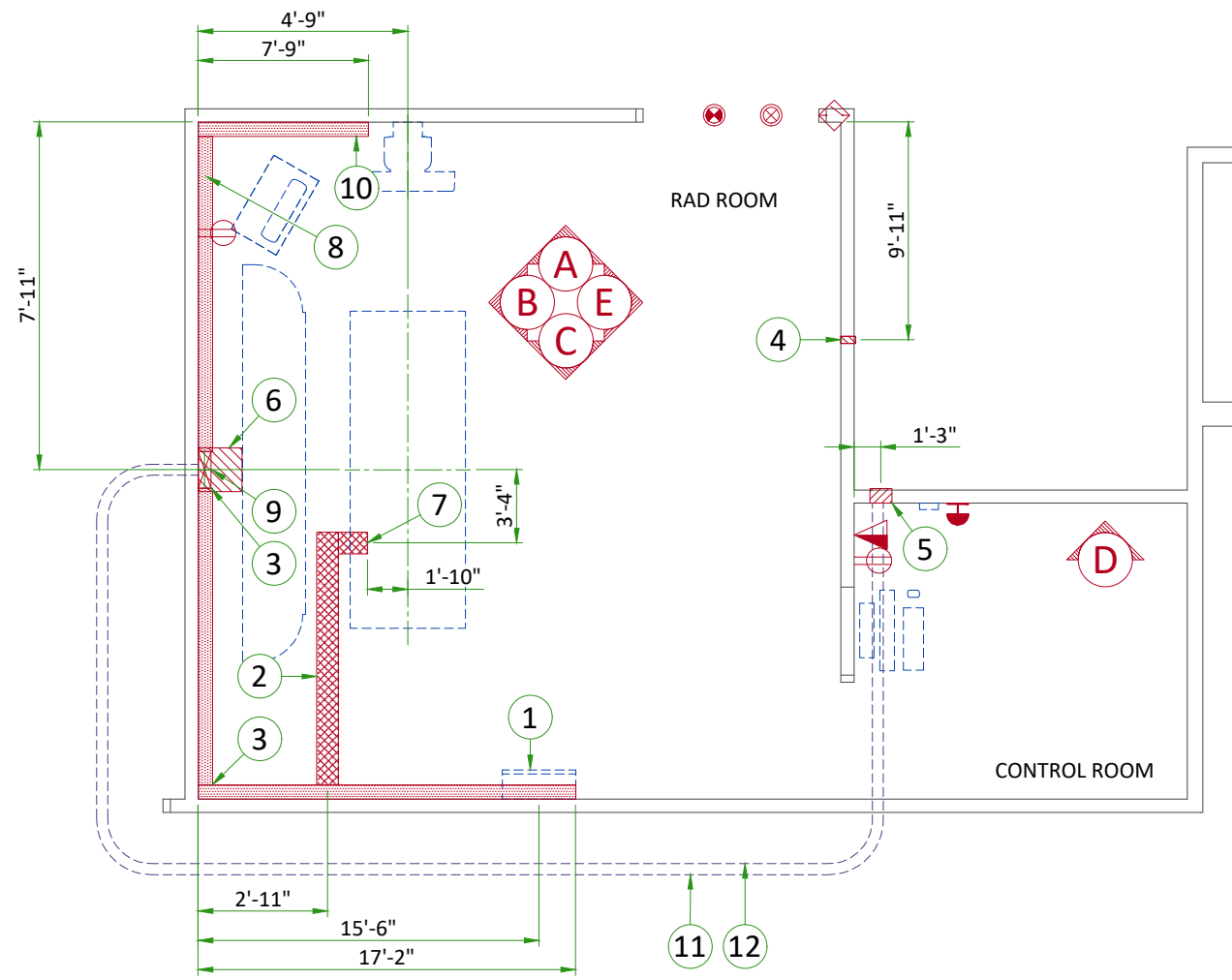
The requirements for these connectivity solutions are explained in the broadband solutions catalogue (separate document).

For all installations, make sure you have at least one (1) RJ45 dedicated to connect the new equipment on the LAN.

ELECTRICAL NOTES

1. All wires specified shall be copper stranded, flexible, thermo-plastic, color coded, cut 10 foot long at outlet boxes, duct termination points or stubbed conduit ends. All conductors, power, signal and ground, must be run in a conduit or duct system. Electrical contractor shall ring out and tag all wires at both ends. Wire runs must be continuous copper stranded and free from splices.
 - 1.1. Aluminum or solid wires are not allowed.
2. Wire sizes given are for use of equipment. Larger sizes may be required by local codes.
3. It is recommended that all wires be color coded, as required in accordance with national and local electrical codes.
4. Conduit sizes shall be verified by the architect, electrical engineer or contractor, in accordance with local or national codes.
5. Convenience outlets are not illustrated. Their number and location are to be specified by others. Locate at least one convenience outlet close to the system control, the power distribution unit and one on each wall of the procedure room. Use hospital approved outlet or equivalent.
6. General room illumination is not illustrated. Caution should be taken to avoid excessive heat from overhead spotlights. Damage can occur to ceiling mounting components and wiring if high wattage bulbs are used. Recommend low wattage bulbs no higher than 75 watts and use dimmer controls (except MR). Do not mount lights directly above areas where ceiling mounted accessories will be parked.
7. Routing of cable ductwork, conduits, etc., must run direct as possible otherwise may result in the need for greater than standard cable lengths (refer to the interconnection diagram for maximum usable lengths point to point).
8. Conduit turns to have large, sweeping bends with minimum radius in accordance with national and local electrical codes.
9. A special grounding system is required in all procedure rooms by some national and local codes. It is recommended in areas where patients might be examined or treated under present, future, or emergency conditions. Consult the governing electrical code and confer with appropriate customer administrative personnel to determine the areas requiring this type of grounding system.
10. The maximum point to point distances illustrated on this drawing must not be exceeded.
11. Physical connection of primary power to GE equipment is to be made by customers electrical contractor with the supervision of a GE representative. The GE representative would be required to identify the physical connection location, and insure proper handling of GE equipment.
12. GEHC conducts power audits to verify quality of power being delivered to the system. The customer's electrical contractor is required to be available to support this activity.

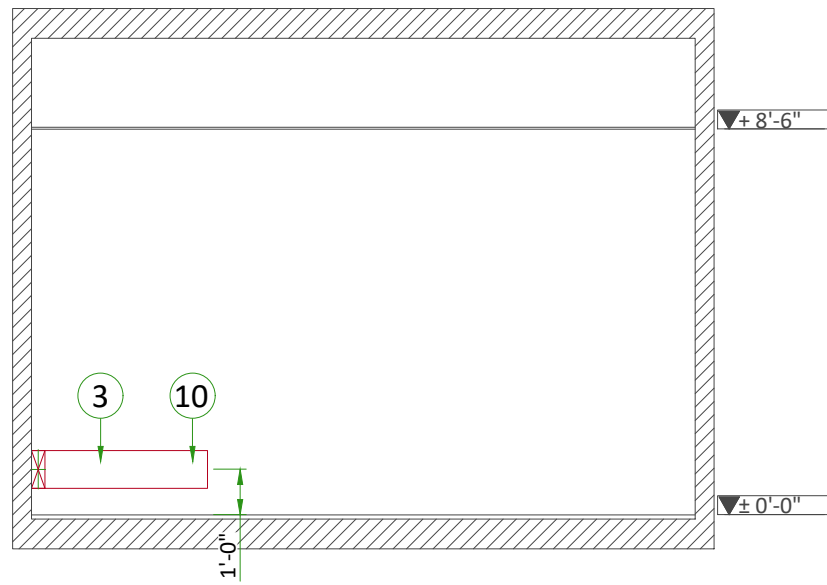
- All junction boxes, conduit, duct, duct dividers, switches, circuit breakers, cable tray, etc., are to be supplied and installed by customers electrical contractor.
- Conduit and duct runs shall have sweep radius bends
- Conduits and duct above ceiling or below finished floor must be installed as near to ceiling or floor as possible to reduce run length.
- Ceiling mounted junction boxes illustrated on this plan must be installed flush with finished ceiling.
- All ductwork must meet the following requirements:
 1. Ductwork shall be metal with dividers and have removable, accessible covers.
 2. Ductwork shall be certified/rated for electrical power purposes.
 3. Ductwork shall be electrically and mechanically bonded together in an approved manner.
 4. PVC as a substitute must be used in accordance with all local and national codes.
- All openings in raceway and access flooring are to be cut out and finished off with grommet material by the customers contractor.
- General contractor to insert pull cords for all cable run conduits between the equipment room and the operators control room.
- 10 foot pigtailed at all junction points.
- Grounding is critical to equipment function and patient safety. Site must conform to wiring specifications shown on this plan.



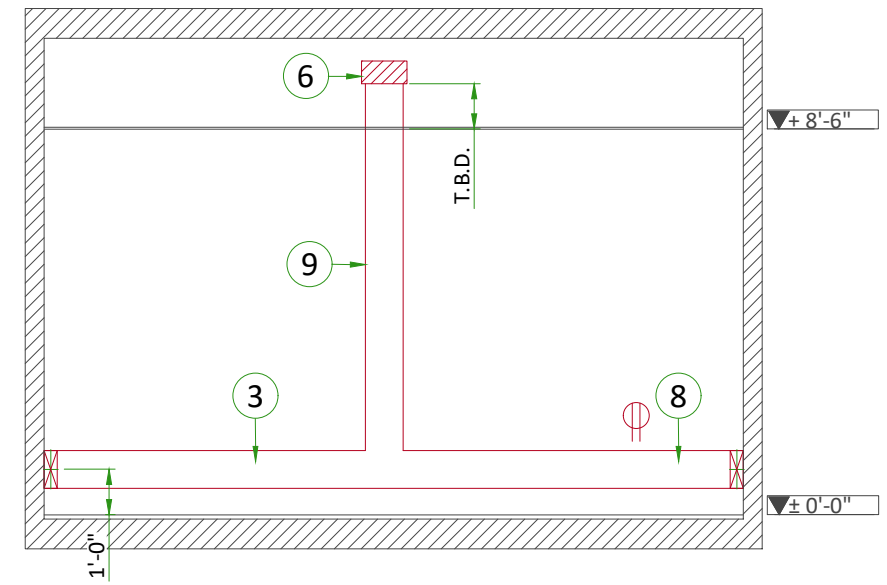
Item	Electrical Layout Item List
1	Main disconnect panel (MDP)
2	6" x 3 1/2" [250 x 100] surface floor duct with minimum 1 divider
3	10" x 3 1/2" [250 x 100] surface wall duct with minimum 2 dividers
4	Flush box, size per local code (Access Point)
5	6" x 6" x 4" [150 x 150 x 100] box (Console)
6	Box above ceiling, size per local code
7	Grommeted opening (Table)
8	Grommeted opening (Generator)
9	Grommeted opening (Tube stand)
10	Grommeted opening (Wall stand)
11	1" [25] conduit above ceiling
12	2 1/2" [64] conduit above ceiling

ITEM	QTY	Electrical Outlet Legend
Customer/contractor supplied and installed items unless otherwise specified. Height above floor determined by local codes unless otherwise specified.		
⊕		Duplex hospital grade, dedicated wall outlet 120-v, single phase power
▲		Network outlet
⬇		System emergency off (SEO), (recommended height 1.2m [48"] above floor)
⊗		X-Ray room warning light control panel
⊙		X-Ray ON lamp (L1) - 24V
◇		Door interlock switch (needed only if required by state/local codes)

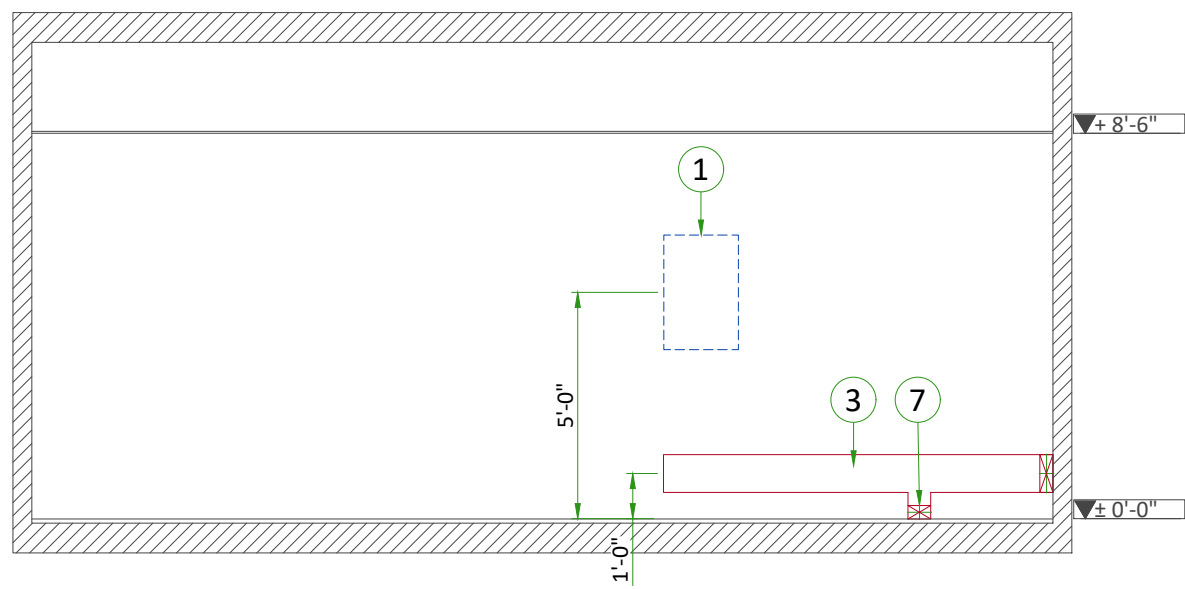
Additional Conduit Runs (Contractor Supplied and Installed)					
From (Bubble # / Item)	To (Bubble # / Item)	Qty	Size		
			In.	mm	
1 Main Disconnect Panel	Feeder	1	As Req'd	As Req'd	
1 Main Disconnect Panel	9 Generator	1	As Req'd	As Req'd	
	7 Table	1	1/2	16	
	System Emergency Off	1	1/2	16	
Warning Light Controller	Warning Light	1	1/2	13	
	9 Generator	1	1/2	13	
	120-V 1Ø Power	1	As Req'd	As Req'd	
Door Interlock Switch	9 Generator	1	1/2	16	
5 Aero DR interface unit	4 Access Point		1	25	



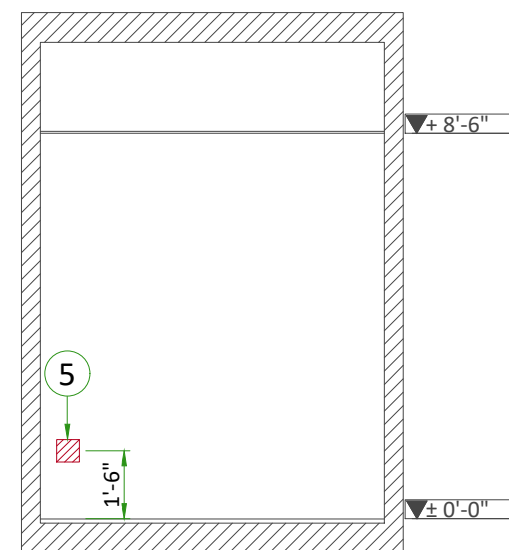
A



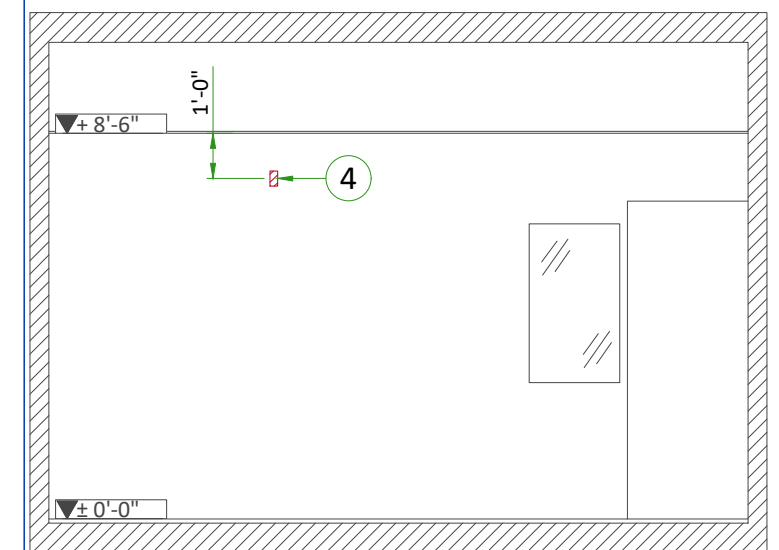
B



C



D



E

POWER REQUIREMENTS

Power Supply	1 Phase+G 208/230/240 ±10% / 3 Phase+G 380/400/415/440/480V ±10%
Distribution Transformer	Wye (recommended) or Delta
Frequencies	50 / 60 Hz
Minimum kVA Required	1 Phase and 3 Phase 50kW: 62.5kVA / 3 Phase 65kW: 80kVA / 3 Phase 80kW: 100kVA
Stand-by Consumption	500 W
Power Line	Maximum line regulation 5%

- Neutral must be terminated inside the main disconnect panel (MDP) and not at any GE cabinet.
- The section of the supply cable should be calculated in accordance with its length and the maximum permissible voltage drops. Refer to Feeder Table.

SUPPLY CHARACTERISTICS

- Power input must be separated from any others which may generate transients (elevators, air conditioning, radiology rooms equipped with high speed film changers...)
- All equipment (lighting, power outlets, etc...) installed with GE system components must be powered separately.

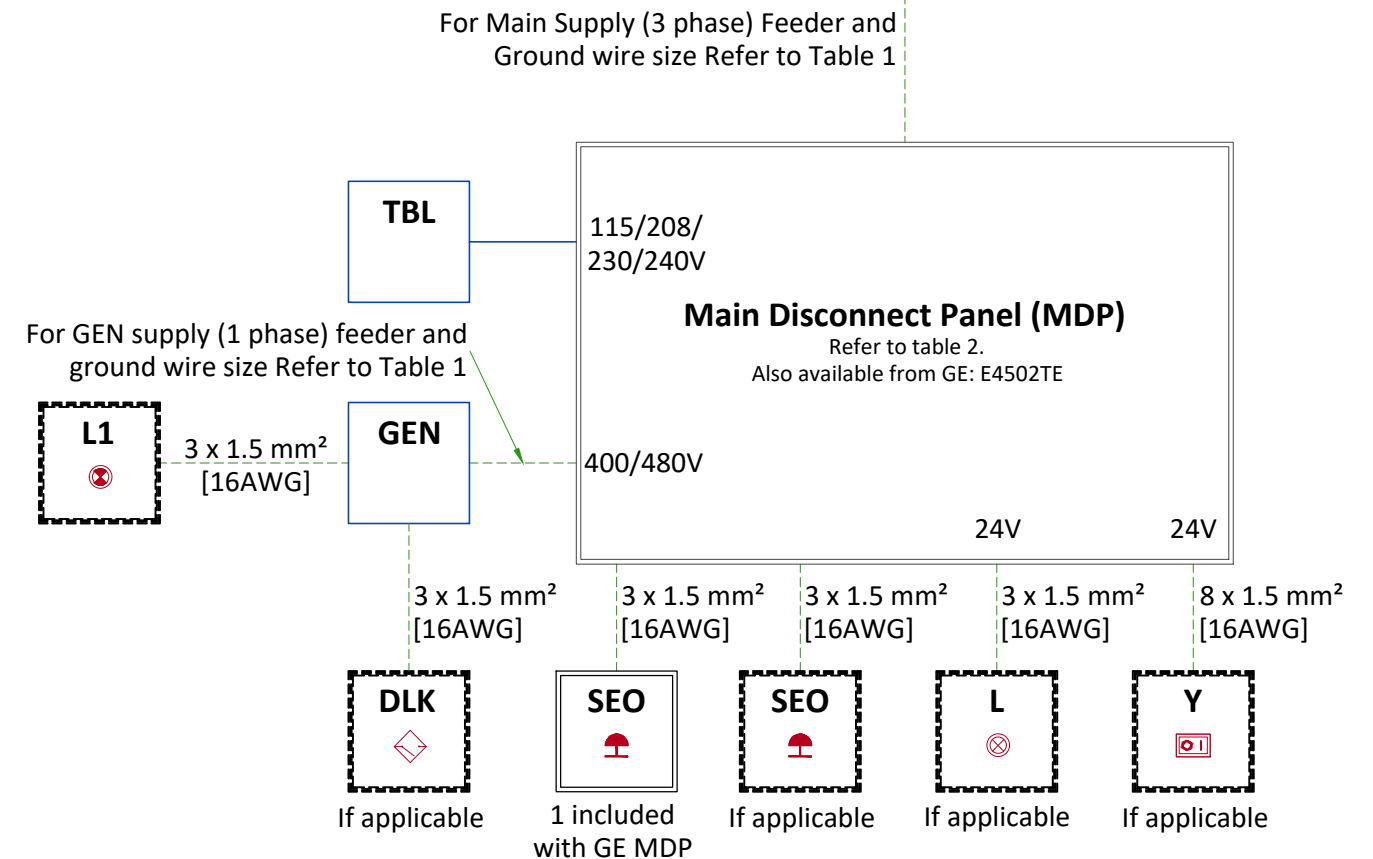
GROUND SYSTEM

- The grounding conductor will be of same size as the feeder. This ground will run from the MDP back to facility power source/main grounding point and always travel in the same conduit with the feeders and neutral.
- Grounding is critical to equipment function and patient safety. Site must conform to wiring specifications shown on this plan.

CABLES

- Power and cable installation must comply with the distribution diagram attached.
- All wiring must be THHN or TFFN stranded copper thermoplastic 600 volt or equivalent insulation. Aluminum or solid wires are not allowed. Cable color codes must comply with standards for electrical installation.
- General contractor to insert pull cords in all GE supplied cable run conduits. 1.5 m (5') pigtails at all junction points.

POWER DISTRIBUTION



LEGEND

- DLK** Door interlock switch
- GEN** Generator cabinet
- L** System ON light - 24V - Located near access doors
- L1** X-Ray ON light - Located near access doors
- SEO** Emergency OFF, near access doors
- TBL** Elevating table (this cable is not supplied, or used, with the ST fixed table)
- Y** System remote-control locked when power OFF, "ON" and "OFF" impulse buttons with indicator lamps red=on / green=off

- Cable SUPPLIED BY CUSTOMER
- Cable SUPPLIED BY GE
- Equipment SUPPLIED BY CUSTOMER
- Equipment SUPPLIED BY GE
- ==== Equipment CAN BE ORDERED FROM GE

TABLE 1: MINIMUM WIRE SIZE - FACILITY TRANSFORMER TO MDP

MIN. FEEDER WIRE SIZE, AWG OR MCM (mm ²)/VAC	MINIMUM FEEDER WIRE LENGTH - ft (m)			
	50 (15)	100 (30)	150 (45)	200 (60)
400(380) VAC/GROUND	8 (10)	4 (25)	2 (25)	2 (35)
415 VAC/GROUND	8 (10)	4 (16)	2 (25)	2 (35)
440 VAC/GROUND	8 (10)	6 (16)	4 (25)	2 (35)
480 VAC/GROUND	8 (6)	6 (16)	4 (25)	2 (25)

GENERAL NOTES

- Calculations based on nominal voltage.
- Recommended feeder sizes from distribution transformer to the power cabinet.
- Neutral must be terminated inside the Main Disconnect Panel (MDP) and not at any GE cabinet
- If the wire size does not match the above lists, please select the nearest wire size as per to local standards.

In all cases qualified personnel must verify that the feeder (at the point of take-off) and the run to the X-Ray system meet all the requirements stated in the PIM

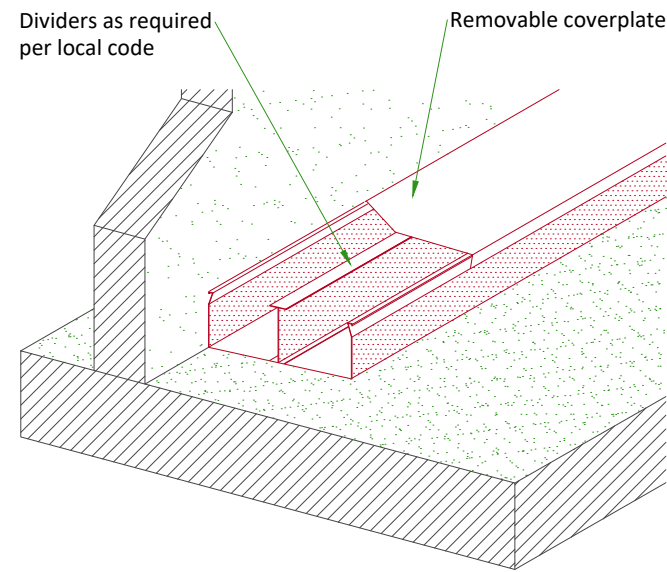
Grounding conductor will run from the equipment back to the power source/main grounding point and always travel in the same conduit with the feeders

TABLE 2: RECOMMENDED MINIMUM CUSTOMER SUPPLIED MDP RATING

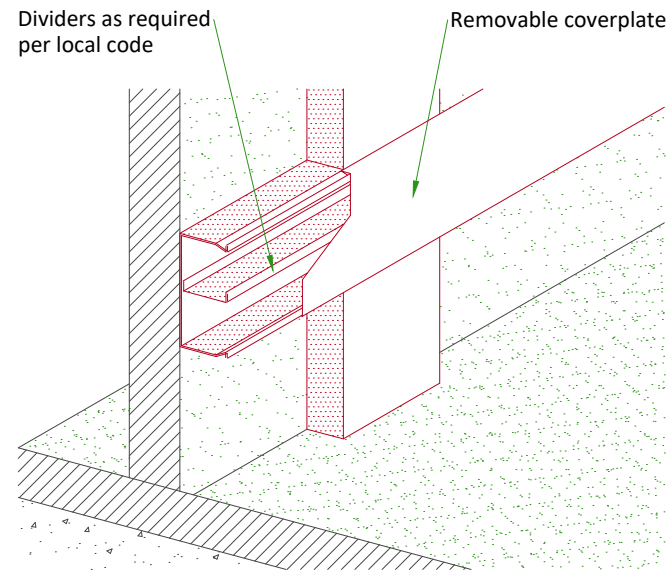
Voltage	IEC Type B	IEC Type C	IEC Type D	NEC
400 (380) V	63A	32A	20A	80A
415 V	63A	32A	20A	70A
440 V	50A	32A	20A	70A
480 V	50A	32A	20A	60A

TYPICAL CABLE MANAGEMENT

DUCT ON THE FLOOR



WALL DUCT



NOT TO SCALE

INTERCONNECTIONS

