

Drawing Index

These sheets are a document set and should not be separated. Electrical information and references are contained on all sheets.

SITE READINESS	C1
EQUIPMENT LAYOUT (Equipment locations, heat loads, component weights, environmental specs)	A1
STRUCTURAL LAYOUT (Structural support/mounting locations for floor/wall/ceiling, wall support elevations)	S1
STRUCTURAL DETAILS (Floor and Ceiling loading information)	S2
ELECTRICAL LAYOUT (Contractor supplied wiring, interconnect methods, junction point locations and descriptions)	E1
ELECTRICAL SPECIFICATIONS (Maximum wiring run lengths, interconnect diagram, system power specifications)	E2
ELECTRICAL DETAILS	E3
EQUIPMENT DETAILS	D1 THRU D2

These drawings indicate the placement and interconnection of the listed equipment components. These drawings are not construction or site preparation drawings. Customer remains ultimately responsible for preparing the site to accommodate the operation of such equipment in compliance with GE Healthcare's written specifications and all applicable federal, state, and/or local requirements.

*** REQUIRED REFERENCE ***
 Discovery PET-CT
 610/710 (64 SLICE)
 Pre Installation Manual
 5433542-1EN

A mandatory component of this drawing set is the GE Healthcare Pre Installation manual. Failure to reference the Pre Installation manual will result in incomplete documentation required for site design and preparation.

Pre Installation documents for GE Healthcare products can be accessed on the web at:

www.gehealthcare.com/siteplanning

GE Healthcare



PET-CT Site Planning



imagination at work

Customer Site Readiness Requirements

- Any deviation from these drawings must be communicated in writing to and reviewed by your local GE Healthcare Installation Project Manager prior to making changes.
- Make arrangements for any rigging, special handling, or facility modifications that must be made to deliver the equipment to the installation site. If desired, your local GE Healthcare Installation Project Manager can supply a reference list of rigging contractors.
- New construction requires the following; 1. Secure area for equipment, 2. Power for drills and other test equipment, 3. Capability for image analysis, 4. Restrooms.
- Provide for refuse removal and disposal (e.g. crates, cartons, packing)
- Contact a radiation physicist or consultant to specify radiation containment requirements.

GE Equipment Delivery Requirements

The items on the GE Healthcare Site Readiness Checklist are REQUIRED to facilitate equipment delivery to the IS site. Equipment will not be delivered if these requirements are not satisfied.

GE Healthcare Site Readiness Checklist Rev 19					
Before using this document ensure you have the latest Rev from MyWorkshop on DOC0422752					
GHC Global Order #:		Customer:			
GHC PMI:		FE / Installer:			
The customer is responsible for proper site preparation regardless of any GHC measurements/inspections/assessments.					
Inspection Date:					
GHC Minimum Requirements					
	Storage is ready?	PIM is ready?	FE is ready?	Comments	
1				MR Magnet Delivery Requirements: Ensure oxygen venting system is available for magnet connection as defined by GHC Pre-Installation Manual (PIM) requirements, exhaust fan system is installed and operational, 480V power, and chilled water supply is available 24x7 that meets system cooling requirements. External connectivity is available for magnet monitoring and phone service is available during delivery. Surface mount vibromat installed where required. Magnet room final flooring is in place.	
2				MR RF Screen Room Requirements: RF Screen Room is tested with copy of Test Report, emailed to skdmin@ge.com , that is compliant with GHC specifications. Back seat and magnet anchors (if applicable) installed using 2 part anchor. For HDx systems, blower box mount bolts installed by RF vendor using 2 part anchors.	
3				State Regulatory Requirements: Facility registration number provided for states of <u>IL, KY, HI, RI, SC, TX, VA</u> . X-ray shielding plan and state acknowledgment letter provided to installer for <u>AR, DC, NC, SC, CO</u> .	
4				Site Drawing Requirements: Final version of equipment network and antenna, installation drawings (including red lined versions) verified to match actual room and has been provided to installer.	
5				Surface Penetration Requirements: Customer/Contractor scheduled to provide required drilling or cutting into floors, ceilings, and walls, OR surface penetration permit available and posted in the room when GEHC will perform the work.	
6				Pre-Delivery Route Requirements: The equipment delivery route from the truck to the final destination within the facility has been reviewed with all key stakeholders to safely meet the minimum requirements for equipment access, and all communications/notifications have occurred. Arrangements have been made for special handling (elevator, rigging, floor protection, fork lift, rollback truck, etc).	
7				Finished Room Requirements: Rooms that will contain equipment, including storage areas not in scan suite, are dust free. Provisions taken to maintain a dust free room. Precautions must be taken to prevent dust from entering rooms containing equipment when construction is incomplete in adjacent areas. All walls primed (final coat not needed on Day 1). Shielding, doors, and windows are to be installed. No contractor work being done during or after the installation that will cause dust in the installation areas or potential equipment damage. Room security to prevent unauthorized access and theft has been discussed with customer. The customer is aware of these security issues, implications and responsibility. For Storage: Room must meet PIM requirements for storage.	
8				Electrical Requirements: Lockable (LOTO) Main Disconnect Panel (MDPI) is installed per GE guidelines and system power is available. Conduits, electrical cable ducting/dividers/cable trays, and access flooring is installed in proper location and height. Surface floor duct and load-side wires can be installed at time of system installation. Validate outlet location and requirements meet specifications for device/equipment.	
9				HVAC Requirements: The HVAC/Chilled Water systems designed to maintain the environment per spec/PIM is at running state and appears to provide the desired environmental conditions including location of vents, temperature and humidity for system operation.	
10				Flooring Requirements: Floor is clean and prepared for final floor covering. Floor levelness/flatness is measured and within tolerance, and there are no visible defects per GEHC specifications. Confirm customer anchoring plan aligns with designed floor thickness. Final flooring installed where required for network racks.	
11				Ceiling Requirements: Unistrut (or equivalent) location, levelness and spacing is measured (or vendor confirmed) and consistent with the requirement of the installation drawings. Ensure unistrut and rails are not used as mounting surfaces. Ceiling grid is installed. Permanent lighting is installed and operational. HVAC diffusers are installed and connected to ductwork. Ceiling tiles installed per PIM discretion.	
12				Staging Requirements: Space has been identified to support the active installation process only. This area meets PIM/project book requirements.	
13				Storage space has been identified, if needed. This secured space would be used to store equipment indefinitely. If offsite, transportation plan has been developed at customer expense. This space must meet PIM requirements.	
				Network Connectivity: Hardware for network connectivity/network drop is in place prior to delivery with specified network firewall configuration where required. Site surveys for wireless mobile XR units have been completed.	
				Medical Gases Requirements: Systems (hard piped or portable) in place to allow testing and calibration of equipment (anesthesia), including ventilation.	

GE Healthcare
 Healthcare Project Implementation - Design Center
 Milwaukee, WI
 Copyright © 2009 General Electric Company - Proprietary to GE

SHEET TITLE: SITE READINESS
 MODALITY TYPE: DISCOVERY PET/CT
 THIS PLAN IS SUBMITTED TO SURVEY LOCATION OF GE HEALTHCARE EQUIPMENT AND ASSOCIATED APPARATUS. ELECTRICAL WIRING DETAILS AND ROOM ARRANGEMENTS IN PREPARING THIS PLAN. EVERY EFFORT HAS BEEN MADE TO CONFORM DETAILS TO THE ACTUAL CONSTRUCTION PURPOSES. HOWEVER, THE COMPANY CANNOT ACCEPT RESPONSIBILITY FOR ANY DAMAGES RESULTING THEREFROM.

PROJECT TITLE:
 12-28f
 TYPICAL LAYOUT

PROJECT	REVISION
12-28f	01
DATE:	26 May 16
DRAWN BY:	DMH
CHECKED BY:	REK

REVISION HISTORY:

SHEET
 C1

PIM R4
 RQ - 161029

GE EQUIPMENT LISTING

EQUIPMENT ON ORDER FROM GE HEALTHCARE, INSTALLED BY GE HEALTHCARE, PER : NEITHER A QUOTE OR CON WAS ISSUED AT THE DATE OF THESE DRAWINGS		EQUIPMENT CROSS REFERENCE CHART		SEISMIC STATUS				
NOTE: LOCAL CONDITIONS MAY DICTATE THAT ITEMS IDENTIFIED IN THIS CATEGORY BE INSTALLED BY OTHERS.		P = PREAPPROVAL C = CALCULATIONS/ PENDING APPROVAL S = SPECIFICATIONS ONLY						
ITEM NO.	QUANTITY ORDERED	REFER TO SHEET "D"	ITEM DESCRIPTION (* = EXISTING/REINSTALL)	WEIGHT	HEAT OUTPUT (PER HOUR)	DETAIL NO.	STRC PLAN	ELEC PLAN
1	1		D-CORE	191 lbs	1498 btu	B56062C	-	CCDR -
2	1		POWER DISTRIBUTION UNIT	813 lbs	3399 btu	P5057F	-	PDU C
3	1		DISCOVERY PET/CT 710/610 (64, 128 SLICE)	8326 lbs	24740 btu	P5050E B610A B5060A B610D B6090N P5057D	-	CTPT S
4	1		PATIENT TABLE W/500 LB PATIENT	2312 lbs	1023 btu		-	S
5	1		STORAGE CABINET (EMPTY CABINET WEIGHT)	99 lbs		M33005	-	-
6	1		FREEDOM WORKSPACE LARGE TABLE WITH 2 MONITORS	167 lbs	3624 btu	BB142 BB143	-	DC S
7	1		CONSOLE CABINET	167 lbs			0	S
8	1		OPERATOR'S CHAIR					I
9	1		UPS SYSTEM	619 lbs	5122 btu	B7864PZ	-	UPS -

THE FOLLOWING ITEMS, WHICH HAVE BEEN ORDERED FROM GE HEALTHCARE, ARE TO BE INSTALLED BY THE CUSTOMER OR HIS CONTRACTOR.

SCALE: 1/4" = 1'-0"

EQUIPMENT LAYOUT

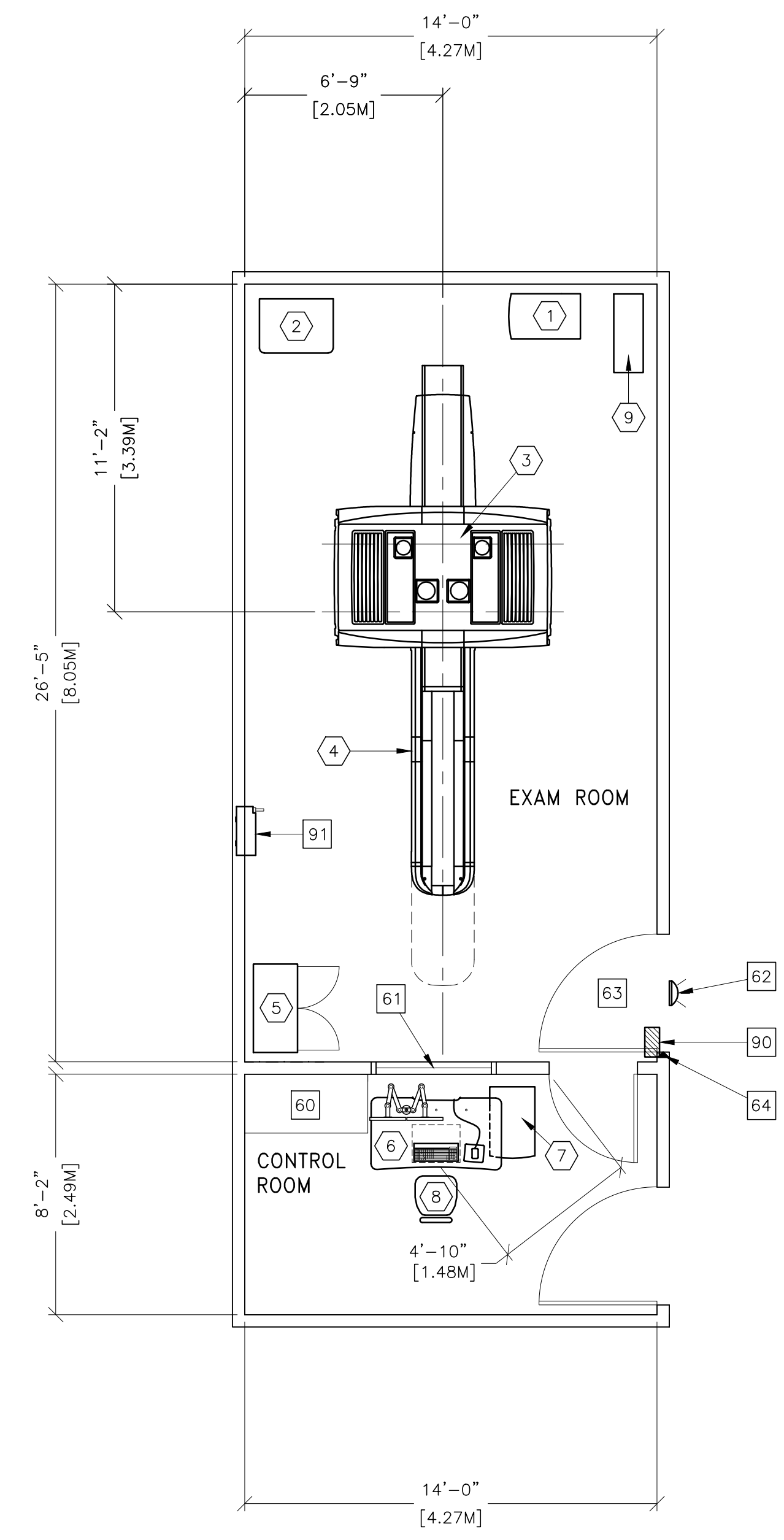
RECOMMENDED CEILING HEIGHT = 9'-0"

This equipment layout indicates the placement and interconnection of the indicated equipment components. There may be federal, state, and/or local requirements that could impact the placement of these components. It remains the Customer's responsibility for ensuring the site and final equipment placement complies with all applicable federal, state, and/or local requirements.

IMPORTANT CUSTOMER READINESS ALERT:

THIS EQUIPMENT INVOLVES THE USE OF RADIOACTIVE ISOTOPES, INCLUDING THOSE SOURCES NECESSARY FOR EQUIPMENT CALIBRATION. APPROPRIATE REGULATORY COMPLIANCE AND LICENSING MUST BE ARRANGED BY THE CUSTOMER EARLY IN THE PLANNING PROCESS AND THEN DEMONSTRATED/AVAILABLE FOR EQUIPMENT INSTALLATION.

NOTE: DELIVERY PATH DOWN CORRIDORS FOR GANTRY'S AND TABLE MUST BE EVALUATED PRIOR TO CONSTRUCTION, AS 90 DEGREE TURNS REQUIRE SPECIFIC CORRIDOR WIDTH.



ANCILLARY ITEMS

CUSTOMER/CONTRACTOR SUPPLIED AND INSTALLED ITEMS

ITEM NO.	ITEM DESCRIPTION (* INDICATES EXISTING)
60	COUNTER TOP FOR EQUIPMENT-MINIMUM DEPTH 24 IN. OR ADDITIONAL SHELVING MAY BE REQUIRED. PROVIDE GROMMETTED OPENINGS AS REQUIRED TO ROUTE INTERCONNECT CABLES TO RACEWAY BELOW COUNTERTOP.
61	LEAD GLASS WINDOW
62	X-RAY ON WARNING LIGHT - AVAILABLE FROM GE SUPPLY CALL: 800-800-9760 GE CAT. NO. WX1ABW-DF-XIU
63	MINIMUM DOOR OPENING FOR EQUIPMENT DELIVERY IS 42 IN. W X 82 IN. H (1067mm x 2083mm). CONTINGENT ON A 71 IN. (1803mm) CORRIDOR WIDTH
64	DOOR LIMIT SWITCH (REQUIRED IN SOUTH CAROLINA, OTHERWISE NEEDED ONLY IF REQUIRED BY STATE/LOCAL CODES)

THE FOLLOWING ITEMS ARE AVAILABLE FROM GE HEALTHCARE TECHNOLOGIES. CONTACT YOUR LOCAL GE HEALTHCARE SERVICE REPRESENTATIVE FOR PRICING AND AVAILABILITY.

90	E4502RL WARNING LIGHT CONTROL OR EQUIVALENT MAX 24V CONTROLLER.
91	MAIN DISCONNECT CONTROL GEMS CAT. NO. E4502AE. 125 lbs. SEE DETAIL E4502AE.

GENERAL SPECIFICATIONS

- THE REQUIRED CEILING HEIGHT INDICATED ON THESE PLANS IS TO ENSURE EQUIPMENT FUNCTION IS NOT INHIBITED. CONSULT WITH YOUR LOCAL GEHC SPECIALIST REGARDING ACCEPTABILITY OF OTHER CEILING HEIGHTS.
- CHECK ALL DOOR OPENINGS AND HALLWAYS FROM DELIVERY LOCATION TO WHERE EQUIPMENT IS TO BE INSTALLED TO ENSURE THE ROUTE PHYSICALLY AND STRUCTURALLY WILL ACCOMMODATE THE EQUIPMENT AS SHIPPED.
- RADIATION PROTECTION REQUIREMENTS ARE NOT INDICATED ON THIS PLAN. WHERE NEEDED PER NATIONAL OR LOCAL CODE THEY SHALL BE SPECIFIED BY A QUALIFIED RADIOLOGICAL PHYSICIST.
- THE DEVELOPMENT OF THE EQUIPMENT LAYOUT, ROOM DIMENSIONS, MECHANICAL AND ELECTRICAL SUGGESTIONS IS PREDICATED UPON THE BEST INFORMATION OBTAINABLE FROM THE SITE, COUPLED WITH THE CUSTOMER'S KNOWN DESIRES. ARCHITECTURAL OR ELECTRICAL CHANGES INCLUDING RELOCATION OF EQUIPMENT ILLUSTRATED ON THIS DRAWING IS ALLOWED ONLY WITH NOTIFICATION, IN WRITING, AND REVIEW BY GEHC SERVICE DEPARTMENT. EQUIPMENT OPERATION, SERVICEABILITY, AND RESTRICTING CABLE LENGTHS, ETC., MAKE THIS ESSENTIAL FOR A PROPER IS. GEHC RESERVES THE RIGHT TO MAKE ON THE JOB CHANGES BECAUSE OF CUSTOMER REQUIREMENTS AND/OR OBSTACLES IN CONSTRUCTION, ETC..
- ALL WORK TO BE IN COMPLIANCE WITH NATIONAL AND LOCAL BUILDING SAFETY CODES.
- DIMENSIONS ARE TO FINISHED SURFACES OF ROOM.

SITE ENVIRONMENT SPECIFICATIONS

- AMBIENT OPERATING TEMPERATURE: 64° F TO 79° F, (18° C TO 26° C)
- HUMIDITY: 30 TO 60 PERCENT NON-CONDENSING. STATIC CHARGES ASSOCIATED WITH LOWER HUMIDITY LEVELS MAY INTERFERE WITH SYSTEM OPERATION.
- ALTITUDE: NOT TO EXCEED 7,875 FT. (2400M) ABOVE SEA LEVEL.
- DO NOT RESTRICT THE AIR INTAKE OR AIR EXHAUST OF THE SYSTEM COMPONENTS.
- ENVIRONMENTAL CONDITIONS LISTED ABOVE MUST BE MAINTAINED AT ALL TIMES INCLUDING FOR EXAMPLE OVERNIGHT, WEEKENDS, AND HOLIDAYS.
- BACKGROUND RADIATION SHOULD BE KEPT TO A MINIMUM. RADIOACTIVE SOURCES MUST BE KEPT IN SHIELDED CONTAINERS AND THE EXAMINATION ROOM SHIELDED FROM EXTERNAL SOURCES.
- DO NOT PLACE PET EQUIPMENT NEAR REGISTERS, WINDOWS OR OTHER COMPONENTS THAT COULD AFFECT TEMPERATURE LEVEL CHANGES IN THE PET EQUIPMENT VICINITY.

MAGNETIC INTERFERENCE SPECIFICATIONS

SCANNER MUST BE LOCATED IN AMBIENT STATIC MAGNETIC FIELDS OF LESS THAN 1.0 GAUSS TO GUARANTEE SPECIFIED IMAGING PERFORMANCE. COMPUTER EQUIPMENT MUST BE LOCATED IN AMBIENT STATIC MAGNETIC FIELDS OF LESS THAN 10 GAUSS TO GUARANTEE DATA INTEGRITY. DIAGNOSTIC CONSOLE MUST BE LOCATED IN AMBIENT STATIC MAGNETIC FIELDS OF LESS THAN 1 GAUSS TO OBTAIN SPECIFIED GEOMETRIC LINEARITY.

GE Healthcare
Healthcare Project Implementation - Design Center
Milwaukee, WI

SHEET TITLE: EQUIPMENT LAYOUT
MODALITY TYPE: DISCOVERY PET/CT

THIS PLAN IS SUBMITTED TO SURVEY LOCATION OF GE HEALTHCARE EQUIPMENT AND ASSOCIATED ELECTRICAL WIRING DETAILS AND ROOM ARRANGEMENTS. IN PREPARING THIS PLAN, EVERY EFFORT HAS BEEN MADE TO CONFORM DETAILS TO LOCAL BUILDING CODES AND TO THE USER'S AND THE COMPANY'S ACTUAL CONSTRUCTION PURPOSES. GEHC AND THE COMPANY CANNOT ACCEPT RESPONSIBILITY FOR ANY DAMAGES RESULTING THEREFROM.

PROJECT TITLE:
12-28f
TYPICAL LAYOUT

PROJECT	REVISION
12-28f	01
DATE:	26.May.16
DRAWN BY:	DMH
CHECKED BY:	REK

REVISION HISTORY:

SHEET
A1

PIM R4
RQ - 161029

TYPICAL WALL SUPPORT ELEVATIONS

SCALE: 1/4" = 1'-0"

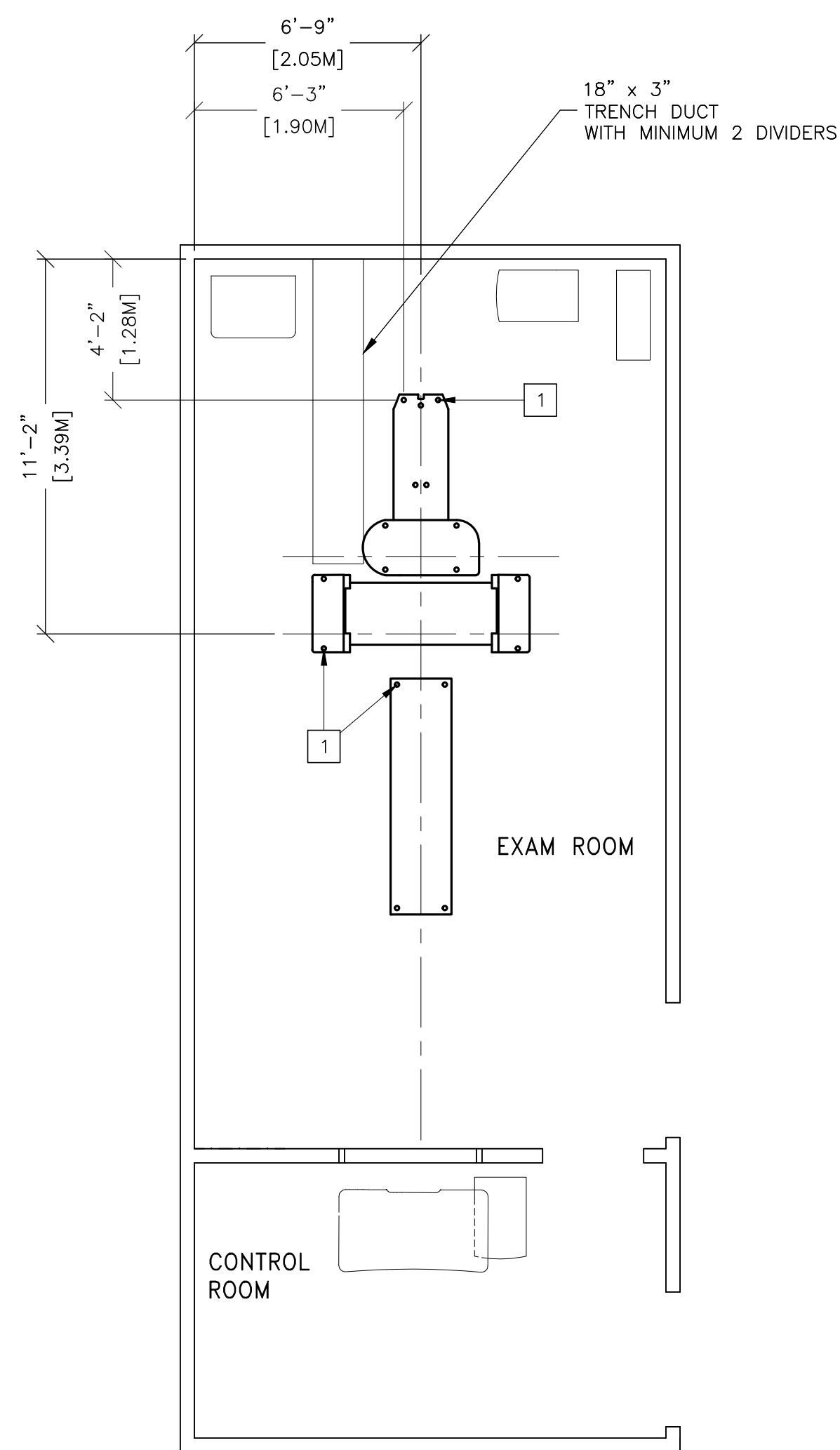
STRUCTURAL LAYOUT

RECOMMENDED CEILING HEIGHT = 9'-0"

STRUCTURAL SUPPORT METHODS

CUSTOMER/CONTRACTOR SUPPLIED AND INSTALLED ITEMS

ITEM NO.	ITEM DESCRIPTION (* INDICATES EXISTING)
1	FLOOR CONTACT AREA FOR DISCOVERY PET/CT 610/710 GANTRY AND PATIENT TABLE. SEE DETAIL P5059C ON SHEET S2 FOR MORE INFORMATION.



STRUCTURAL NOTES

- METHODS OF SUPPORT FOR THE STEELWORK THAT WILL PERMIT ATTACHMENT TO STRUCTURAL STEEL OR THROUGH BOLTS IN CONCRETE CONSTRUCTION SHOULD BE FAVORED. DO NOT USE CONCRETE OR MASONRY ANCHORS IN DIRECT TENSION.
- ALL UNITS THAT ARE WALL MOUNTED OR WALL SUPPORTED ARE TO BE PROVIDED WITH SUPPORTS WHERE NECESSARY. WALL SUPPORTS ARE TO BE SUPPLIED AND INSTALLED BY THE CUSTOMER OR HIS CONTRACTORS. SEE PLAN AND DETAIL SHEETS FOR SUGGESTED LOCATIONS AND MOUNTING HOLE LOCATIONS.
- ALL CEILING MOUNTED FIXTURES, AIR VENTS, SPRINKLERS, ETC. TO BE FLUSH MOUNTED, OR SHALL NOT EXTEND MORE THAN 6.35mm (1/4") BELOW THE FINISHED CEILING.
- FLOOR SLABS ON WHICH EQUIPMENT IS TO BE INSTALLED MUST BE LEVEL TO 6.00mm (1/4") IN 3050mm (10'-0").
- DIMENSIONS ARE TO FINISHED SURFACES OF ROOM.
- CUSTOMERS CONTRACTOR MUST PROVIDE ALL PENETRATIONS IN POST TENSION FLOORS.
- CUSTOMERS CONTRACTOR MUST PROVIDE AND INSTALL ANY NON-STANDARD ANCHORING. DOCUMENTS FOR STANDARD ANCHORING METHODS ARE INCLUDED WITH GE EQUIPMENT DRAWINGS FOR GEOGRAPHIC AREAS THAT REQUIRE SUCH DOCUMENTATION.
- CUSTOMERS CONTRACTOR MUST PROVIDE AND INSTALL HARDWARE FOR "THROUGH THE FLOOR" ANCHORING AND/OR ANY BRACING UNDER ACCESS FLOORS. THIS CONTRACTOR MUST ALSO PROVIDE FLOOR DRILLING THAT CANNOT BE COMPLETED BECAUSE OF AN OBSTRUCTION ENCOUNTERED WHILE DRILLING BY THE GE INSTALLER SUCH AS REBAR ETC.
- IT IS THE CUSTOMER'S RESPONSIBILITY TO PERFORM ANY FLOOR OR WALL PENETRATIONS THAT MAY BE REQUIRED. THE CUSTOMER IS ALSO RESPONSIBLE FOR ENSURING THAT NO SUBSURFACE UTILITIES (E.G., ELECTRICAL OR ANY OTHER FORM OF WIRING, CONDUITS, PIPING, DUCT WORK OR STRUCTURAL SUPPORTS (I.E. POST TENSION CABLES OR REBAR)) WILL INTERFERE OR COME IN CONTACT WITH SUBSURFACE PENETRATION OPERATIONS (E.G. DRILLING AND INSTALLATION OF ANCHORS/SCREWS) PERFORMED DURING THE INSTALLATION PROCESS. TO ENSURE WORKER SAFETY, GE INSTALLERS WILL PERFORM SURFACE PENETRATION OPERATIONS ONLY AFTER THE CUSTOMER'S VALIDATION AND COMPLETION OF THE "GE SURFACE PENETRATION PERMIT"

SHEET TITLE: STRUCTURAL LAYOUT
MODALITY TYPE: DISCOVERY PET/CT

PROJECT TITLE:
12-28f
TYPICAL LAYOUT

PROJECT	REVISION
12-28f	01

DATE: 26.May.16
DRAWN BY: DMH
CHECKED BY: REK

REVISION HISTORY:

SHEET
S1

THIS PLAN IS SUBMITTED TO SUGGEST LOCATION OF GE HEALTHCARE EQUIPMENT AND ASSOCIATED APPARATUS, ELECTRICAL WIRING DETAILS AND ROOM ARRANGEMENTS. IN PREPARING THIS PLAN, EVERY EFFORT HAS BEEN MADE TO CONFORM DETAILS TO THE CUSTOMER'S REQUIREMENTS. THE CUSTOMER'S RESPONSIBILITY IS TO VERIFY THE ACTUAL CONSTRUCTION PURPOSES, DIMENSIONS AND THE COMPANY CANNOT ACCEPT RESPONSIBILITY FOR ANY DAMAGES RESULTING THEREFROM.

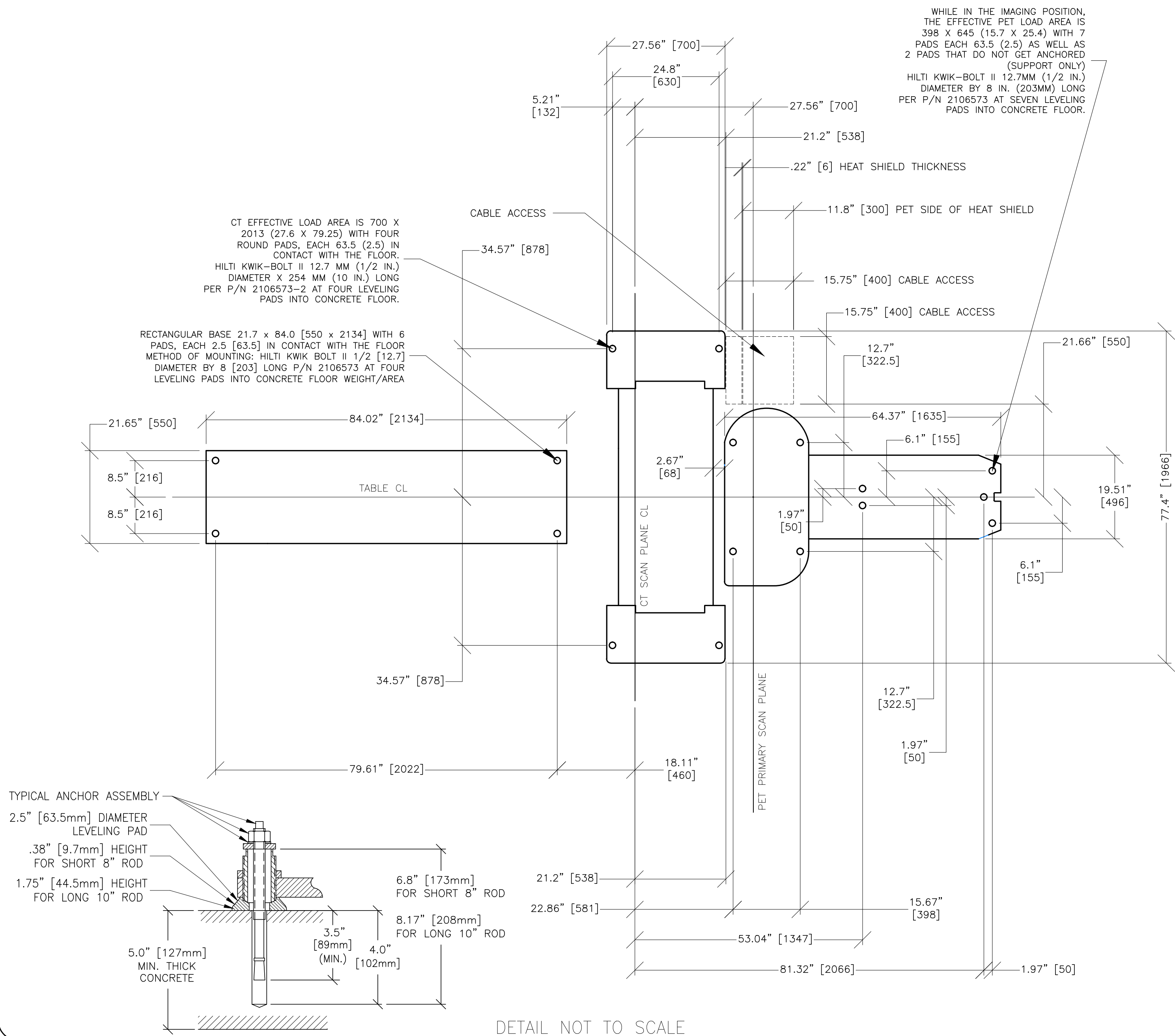
GE Healthcare
Healthcare Project Implementation - Design Center
Wisconsin

PIM R4
RQ - 161029

FLOOR MOUNTING DETAIL: PET/CT 610/710 (64, 128 SLICE) INSTALLATION METHODS

P5058C

REV. DATE 28.Jun.12



SHEET TITLE: STRUCTURAL DETAILS
 MODALITY TYPE: DISCOVERY PET/CT

PROJECT TITLE:
 12-28f
 TYPICAL LAYOUT

PROJECT	REVISION
12-28f	01

DATE: 26.May.16
 DRAWN BY: DMH
 CHECKED BY: REK

REVISION HISTORY:

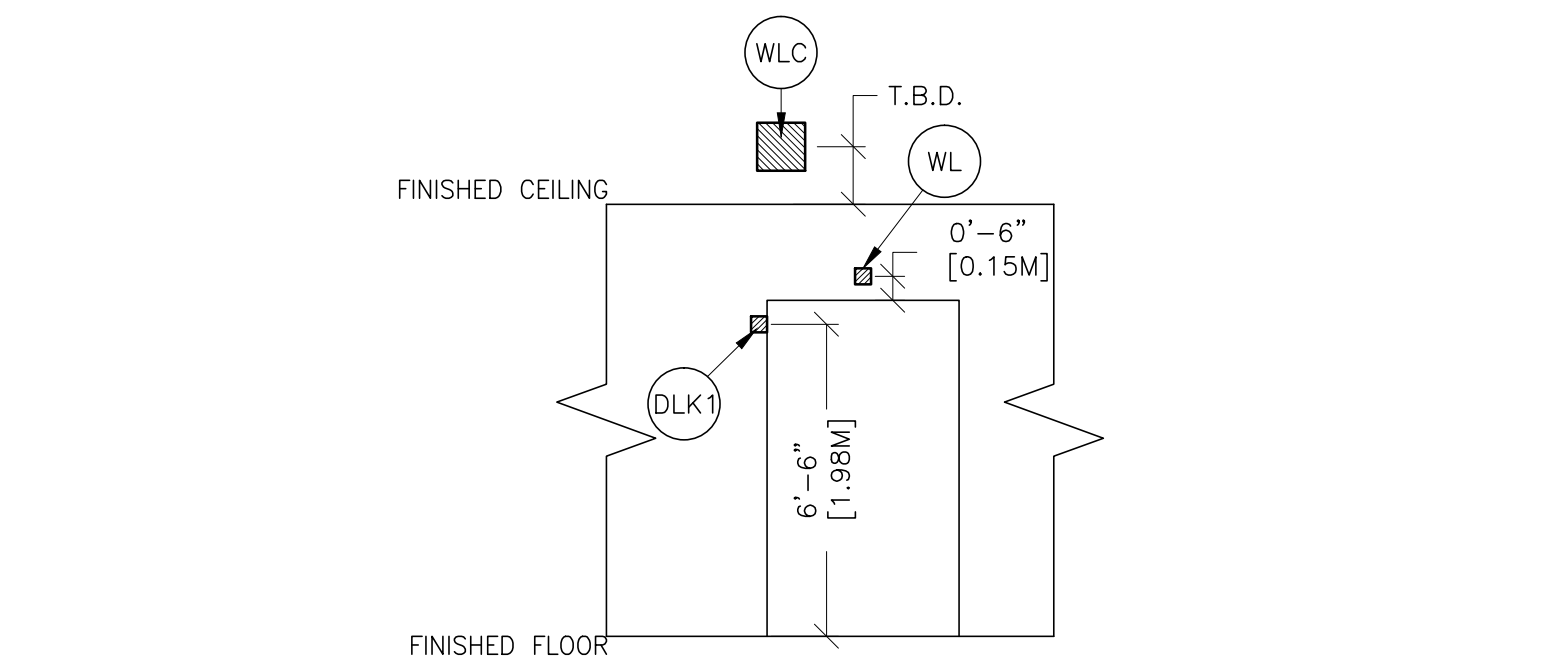
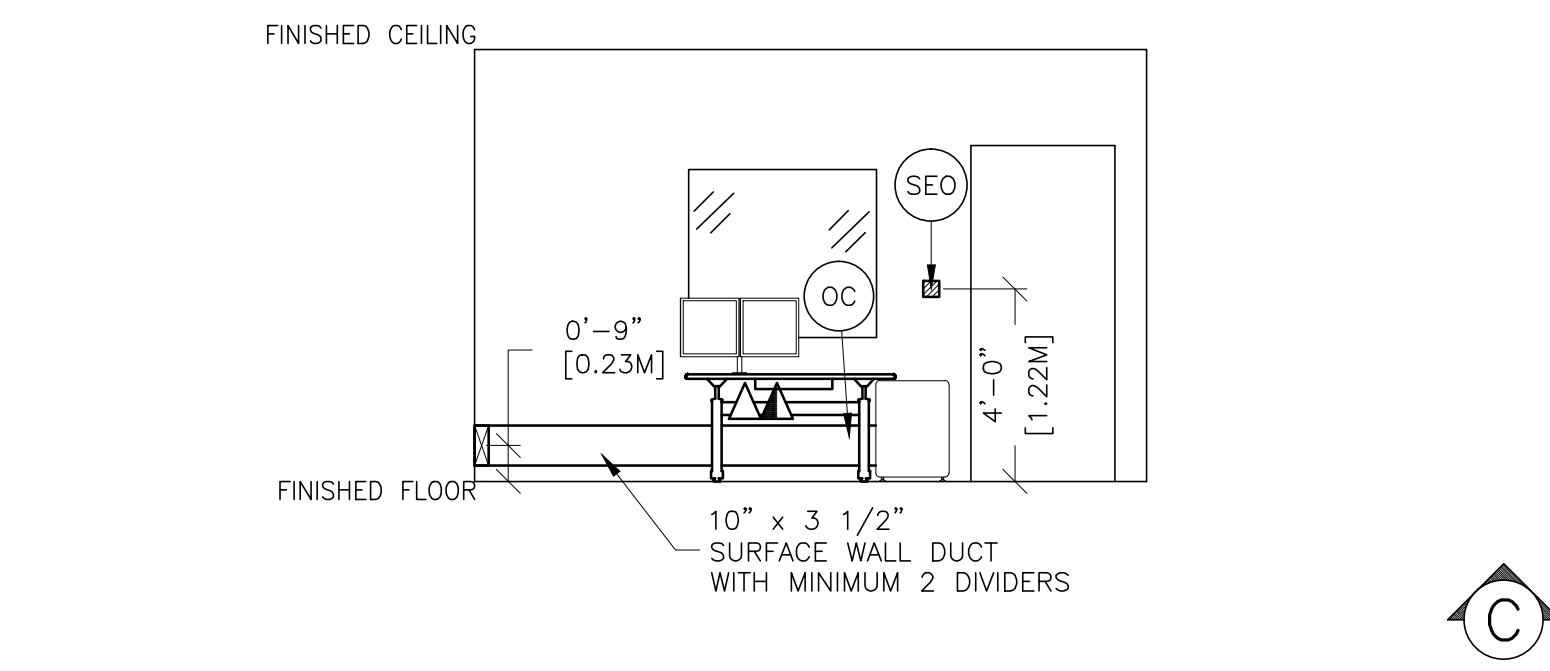
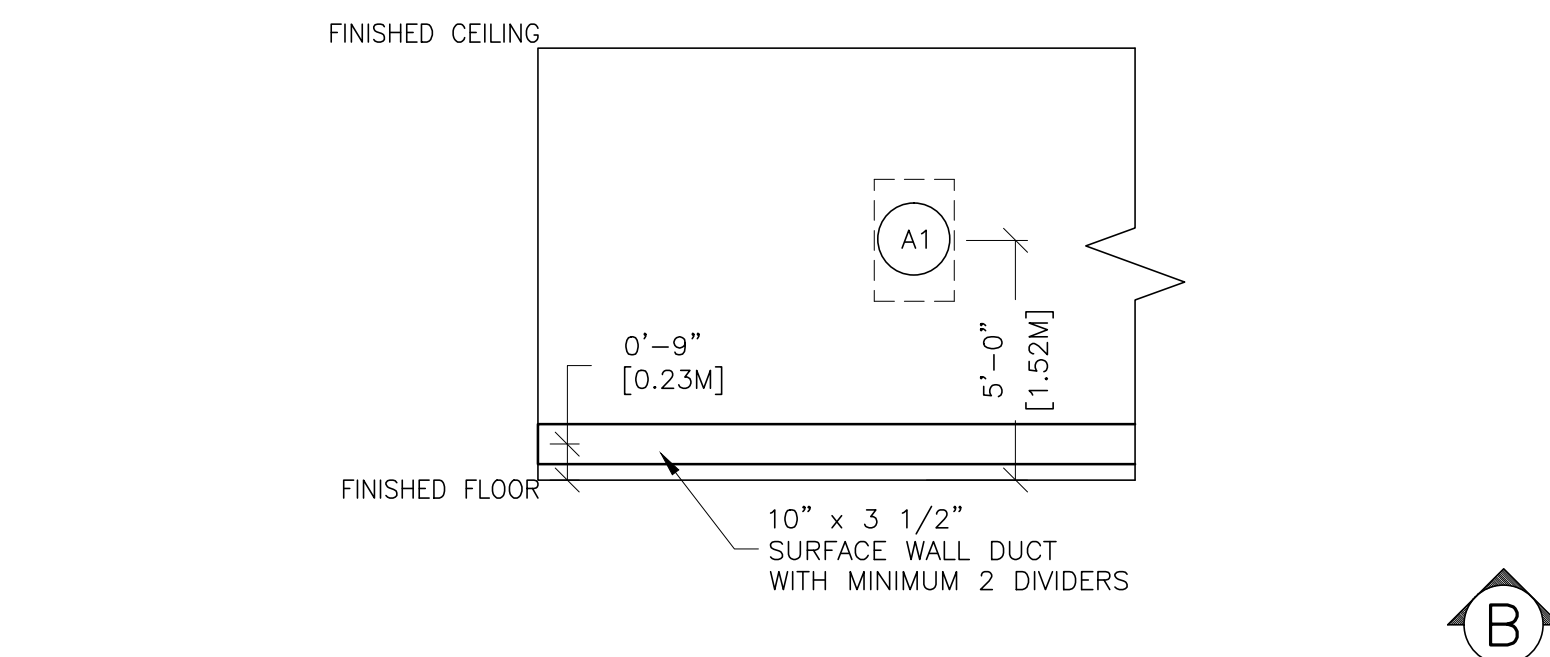
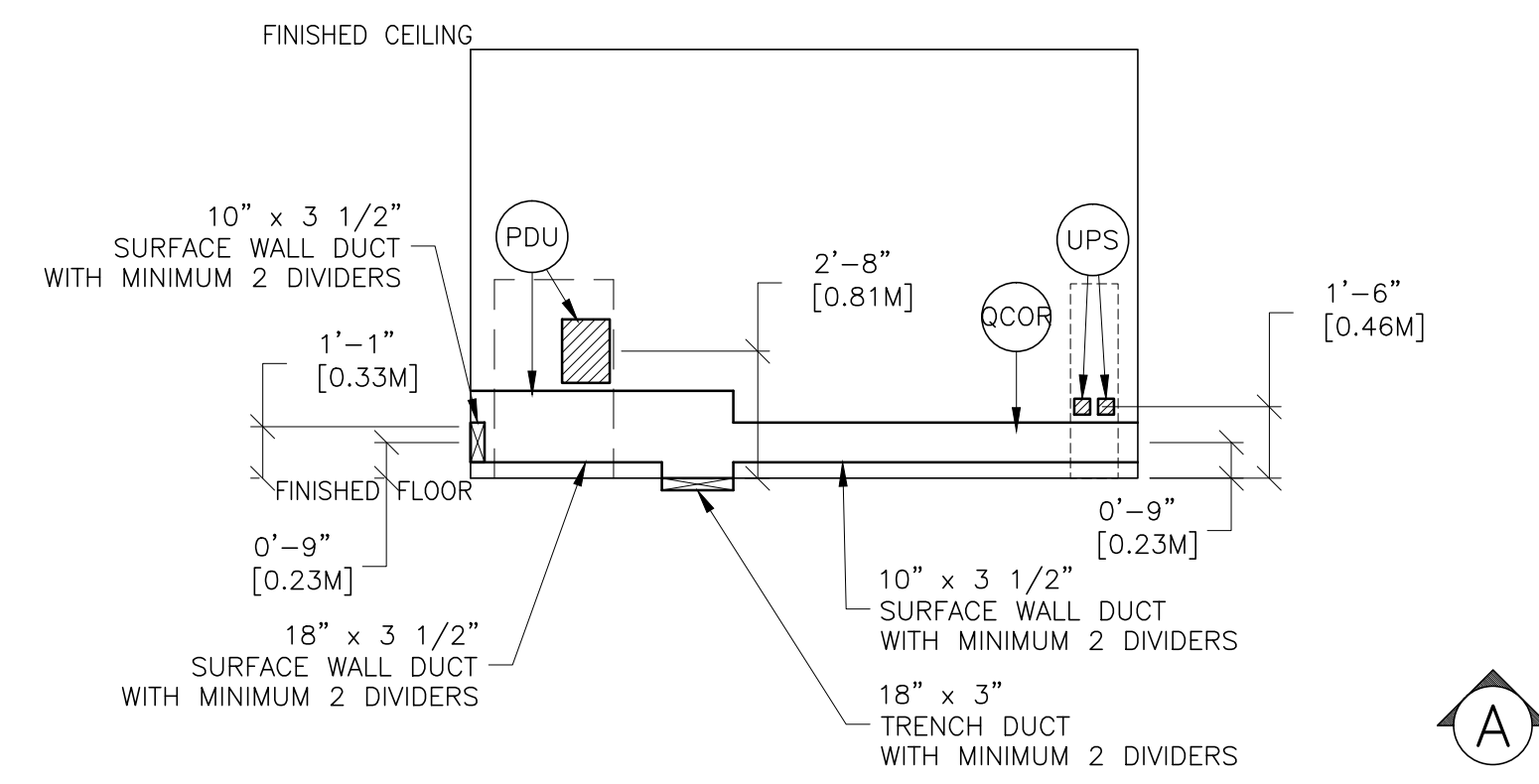
SHEET
 S2

GE Healthcare
 Healthcare Project Implementation - Design Center
 Milwaukee, Wisconsin

SCALE: 1/4" = 1'-0"

ELECTRICAL PLAN

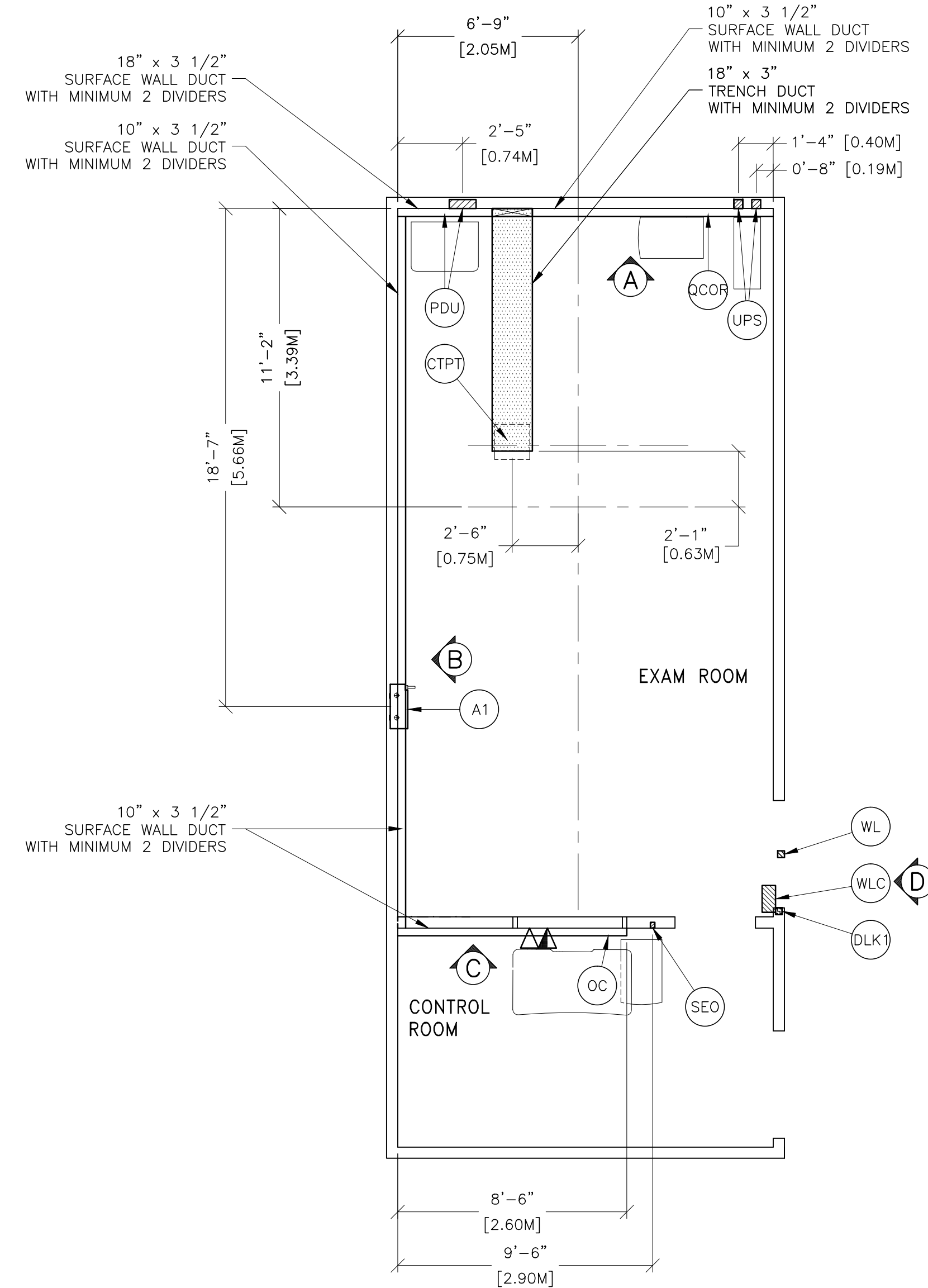
RECOMMENDED CEILING HEIGHT = 9'-0"



ELECTRICAL OUTLET LEGEND
 CUSTOMER/CONTRACTOR SUPPLIED AND INSTALLED ITEMS. HEIGHT ABOVE FLOOR DETERMINED BY LOCAL CODES UNLESS OTHERWISE SPECIFIED.

- △ DEDICATED TELEPHONE LINES (SEE ELECTRICAL DETAIL ELEC-1 OR ELEC-67)
- ▲ NETWORK OUTLET (SEE ELECTRICAL DETAILS ELEC-83 AND ELEC-84 OR ELEC-87)

- JUNCTION POINT NOTES**
- ALL JUNCTION BOXES, CONDUIT, DUCT, DUCT DIVIDERS, SWITCHES, CIRCUIT BREAKERS, CABLE TRAY, ETC., ARE TO BE SUPPLIED AND INSTALLED BY CUSTOMER'S ELECTRICAL CONTRACTOR.
 - CONDUIT AND DUCT RUNS SHALL HAVE SWEEP RADIUS BENDS
 - CONDUITS AND DUCT ABOVE CEILING OR BELOW FINISHED FLOOR MUST BE INSTALLED AS NEAR TO CEILING OR FLOOR AS POSSIBLE TO REDUCE RUN LENGTH.
 - CEILING MOUNTED JUNCTION BOXES ILLUSTRATED ON THIS PLAN MUST BE INSTALLED FLUSH WITH FINISHED CEILING.
 - ALL DUCTWORK MUST MEET THE FOLLOWING REQUIREMENTS:
 1. DUCTWORK SHALL BE METAL WITH DIVIDERS AND HAVE REMOVABLE, ACCESSIBLE COVERS.
 2. DUCTWORK SHALL BE CERTIFIED/RATED FOR ELECTRICAL POWER PURPOSES.
 3. DUCTWORK SHALL BE ELECTRICALLY AND MECHANICALLY BONDED TOGETHER IN AN APPROVED MANNER.
 4. PVC AS A SUBSTITUTE MUST BE USED IN ACCORDANCE WITH ALL LOCAL AND NATIONAL CODES.
 - ALL OPENINGS IN ACCESS FLOORING ARE TO BE CUT OUT AND FINISHED OFF WITH GROMMET MATERIAL BY THE CUSTOMER'S CONTRACTOR.
 - GENERAL CONTRACTOR TO INSERT PULL CORDS FOR ALL CABLE RUN CONDUITS BETWEEN THE EQUIPMENT ROOM AND THE OPERATORS CONTROL ROOM.
 - 10 FOOT PIGTAILS AT ALL JUNCTION POINTS.
 - ALL WIRING MUST BE THIN OR TFFN STRANDED COPPER THERMOPLASTIC 600 VOLT OR EQUIVALENT INSULATION. **ALUMINUM OR SOLID WIRES ARE NOT ALLOWED.**
 - GROUNDING IS CRITICAL TO EQUIPMENT FUNCTION AND PATIENT SAFETY. SITE MUST CONFORM TO WIRING SPECIFICATIONS SHOWN ON THIS PLAN.



FEEDER TABLE - DISCOVERY PET/CT 690 VCT/710,610 (64/128 SLICE) COLUMBIA

○ CALCULATIONS BASED UPON NOMINAL VOLTAGE, WIRE SIZE IN AWG.
 ○ RECOMMENDED FEEDER SIZES FROM DISTRIBUTION TRANS. TO POWER DISTRIBUTION UNIT.
 ○ THE GROUNDING CONDUCTOR () WILL BE A 1/0 MINIMUM. THIS GROUNDING WILL RUN FROM THE EQUIPMENT BACK TO THE POWER SOURCE/MAIN GROUNDING POINT AND ALWAYS TRAVEL IN THE SAME CONDUIT WITH THE FEEDERS AND NEUTRAL.
 ○ * MINIMUM SIZE FOR CIRCUIT BREAKER, NEC ARTICLE 517-73.
 ○ NEUTRAL MUST BE TERMINATED PRIOR TO OR INSIDE THE MAIN DISCONNECT PANEL AND NOT BROUGHT INTO THE POWER DISTRIBUTION UNIT.
 ○ FOR A FULL SYSTEM UPS REFER TO ELECTRICAL DETAILS FOR UPS FEEDER WIRES.

RUN LENGTH IN FEET	POWER SUPPLY VOLTAGE					
	342-418	360-440	378-462	396-484	414-506	432-528
50	1/0 (1/0)	1/0 (1/0)	1/0 (1/0)	1 (1/0)	1 (1/0)	1 (1/0)
100	1/0 (1/0)	1/0 (1/0)	1/0 (1/0)	1 (1/0)	1 (1/0)	1 (1/0)
150	1/0 (1/0)	1/0 (1/0)	1/0 (1/0)	1 (1/0)	1 (1/0)	1 (1/0)
200	1/0 (1/0)	1/0 (1/0)	1/0 (1/0)	1 (1/0)	1 (1/0)	1 (1/0)
250	2/0 (1/0)	2/0 (1/0)	1/0 (1/0)	1/0 (1/0)	1 (1/0)	1 (1/0)
300	3/0 (1/0)	3/0 (1/0)	2/0 (1/0)	2/0 (1/0)	1/0 (1/0)	1/0 (1/0)
350	4/0 (1/0)	3/0 (1/0)	3/0 (1/0)	2/0 (1/0)	2/0 (1/0)	1/0 (1/0)
400	250M (1/0)	4/0 (1/0)	3/0 (1/0)	3/0 (1/0)	3/0 (1/0)	2/0 (1/0)

(REV. DATE 12.Nov.15)

ADDITIONAL CONDUIT RUNS FOR ALL PET/CT 560, 600, 610 690, 710, VCT, STE, ST & IQ COLUMBIA SYSTEMS

CONDUITS REQUIRED FOR BASE SYSTEM (CONDUITS ARE LOCATED ABOVE CEILING)

TO	FROM	CONDUIT SIZE
WL	TO WLC	ONE 1/2" CND.
WLC	TO PDU	ONE 1/2" CND.
PDU	TO A1	ONE CND. AS REQ'D
A1	TO SEO	ONE 1/2" CND.
A1	TO FEEDER	ONE CND. AS REQ'D
WLC	TO 120-V 1 st POWER	ONE 2" CND. (OPTIONAL) RUN DIRECT AS POSSIBLE. 12' MAX CABLE LENGTH
DLK1	TO PDU	ONE 1/2" CND.

NOTE: SEE E2 PAGE FOR MAXIMUM RUN LENGTHS

CONDUITS REQUIRED FOR UPS (CONDUITS ARE LOCATED ABOVE CEILING)

TO	FROM	CONDUIT SIZE
UPS	TO A1	ONE 1 1/4" CND.
UPS	TO PM	ONE 2" CND. (OPTIONAL) RUN DIRECT AS POSSIBLE. 12' MAX CABLE LENGTH

JUNCTION POINT DESCRIPTIONS

THE FOLLOWING MATERIALS ARE TO BE SUPPLIED AND INSTALLED BY THE CUSTOMER'S ELECTRICAL CONTRACTOR

DESCRIPTION	QTY.	HARDWARE	DETAIL NO., SHT. E3
A1 MAIN DISCONNECT # AVAILABLE FROM GEHC CALL 800-879-7925 OR LOCAL GE INSTALLATION PROJECT MGR.	1	125 AMP FUSED DISCONNECT AND MAGNETIC CONTACTOR GEHC CAT. NO. E4502AE SEO PUSHBUTTON AND COVER INCLUDED.	
CTPT CT-PET SCANNER	3	3 IN. DIA. BUSHING & LOCKNUT 3 1/2 IN. DIA. BUSHING & LOCKNUT	ELEC-25
DLK1 DOOR SWITCH (NEEDED ONLY IF REQUIRED BY STATE/LOCAL CODES)	1	ROOM DOOR INTERLOCK LIMIT SWITCH IN FRAME - NORMALLY OPEN (24V) SINGLE GANG BOX	
OC OPERATORS CONSOLE	1	12 IN. OF GROMMET MATERIAL FOR A 3 X 3 IN. OPENING IN DUCT COVER	ELEC-5
PDU POWER DISTRIBUTION UNIT	1	SPLIT COVERPLATE 12 IN. OF GROMMET MATERIAL FOR A 3 X 3 IN. OPENING IN DUCT COVER 4 800 IN. 90 DEGREE CONNECTOR 12 X 16 X 4 IN. BDX FLEXIBLE METAL CONDUIT SUITABLE CONNECTORS 1/2 X 1/2 X 4 IN. BDX 1/2 FT. LENGTH OF 1/2 IN. FLEXIBLE METAL CONDUIT.	ELEC-5 ELEC-25
DCOR DCORE	1	12 IN. OF GROMMET MATERIAL FOR A 3 X 3 IN. OPENING IN DUCT COVER	ELEC-5
SEO EMERGENCY OFF	1	SINGLE GANG 2 1/2 IN. DEEP FLUSH MOUNTED JUNCTION BOX.	ELEC-16
UPS UPS CABINET	1	COVERPLATE 1/2 IN. DIA. CHASE NIPPLE 1/4 X 4 X 4 IN. BDX 1/2 IN. DIA. BUSHING & LOCKNUT 1/2 IN. DIA. CHASE NIPPLE 1/2 IN. DIA. BUSHING & LOCKNUT (IF OPTIONAL 2 IN. CND IS USED, ADD THE FOLLOWING) 4 X 4 X 4 IN. BDX COVERPLATE.	ELEC-8
WL WARNING LIGHT	1	COVERPLATE SINGLE GANG BOX 1 X-RAY ON INCANDESCENT LIGHT FIXTURE - DO NOT USE FLUORESCENT FIXTURES. E4502RL WARNING LIGHT 24V CONTROL OR EQUIVALENT.	
WLC WARNING LIGHT CONTROLLER #AVAILABLE FROM GEHC CALL 800-879-7925 OR LOCAL GE INSTALLATION PROJECT MGR.	1	E4500AM WARNING LIGHT CONTROL OR EQUIVALENT MAX 24V CONTROLLER	ELEC-17

CONTRACTOR SUPPLIED AND INSTALLED WIRING
 ELECTRICAL CONTRACTOR SHALL RING OUT, TAG AND TERMINATE ALL WIRES AT BOTH ENDS.

WIRE RUN, FROM - TO	QUANTITY, WIRE SIZE/COLOR
A1 > SEO	1-ND. 14 BLACK, 1-ND. 14 WHITE, 1-ND. 14 GREEN
480-V > A1	3 BLACK, 1 WHITE, 1 GREEN - REFER TO FEEDER TABLE
A1 > PDU	3-BLACK, 1 GREEN - REFER TO FEEDER TABLE
WLC > PDU	1-ND. 14 BLACK, 1-ND. 14 WHITE, 1-ND. 14 GREEN
WLC > 1 PHASE	1-ND. 14 BLACK, 1-ND. 14 WHITE, 1-ND. 14 GREEN
PDU > WLC	2-ND. 14 BLACK, 1-ND. 14 RED, 1-ND. 14 WHITE
WLC > DLK1	1-ND. 14 BLACK, 1-ND. 14 WHITE, 1-ND. 14 GREEN

GE Healthcare
 Healthcare Project Implementation - Design Center
 Milwaukee, WI

SHEET TITLE: ELECTRICAL LAYOUT
 MODALITY TYPE: DISCOVERY PET/CT

THIS PLAN IS SUBMITTED TO SURVEY LOCATION OF GE HEALTHCARE EQUIPMENT AND ASSOCIATED ELECTRICAL WIRING DETAILS AND ROOM ARRANGEMENTS. IN PREPARING THIS PLAN, EVERY EFFORT HAS BEEN MADE TO CONFORM TO ALL APPLICABLE ELECTRICAL CODES AND REGULATIONS. THE USER OF THIS PLAN SHALL BE RESPONSIBLE FOR VERIFYING THE ACCURACY OF THE INFORMATION PROVIDED AND THE COMPANY CANNOT ACCEPT RESPONSIBILITY FOR ANY DAMAGES RESULTING THEREFROM.

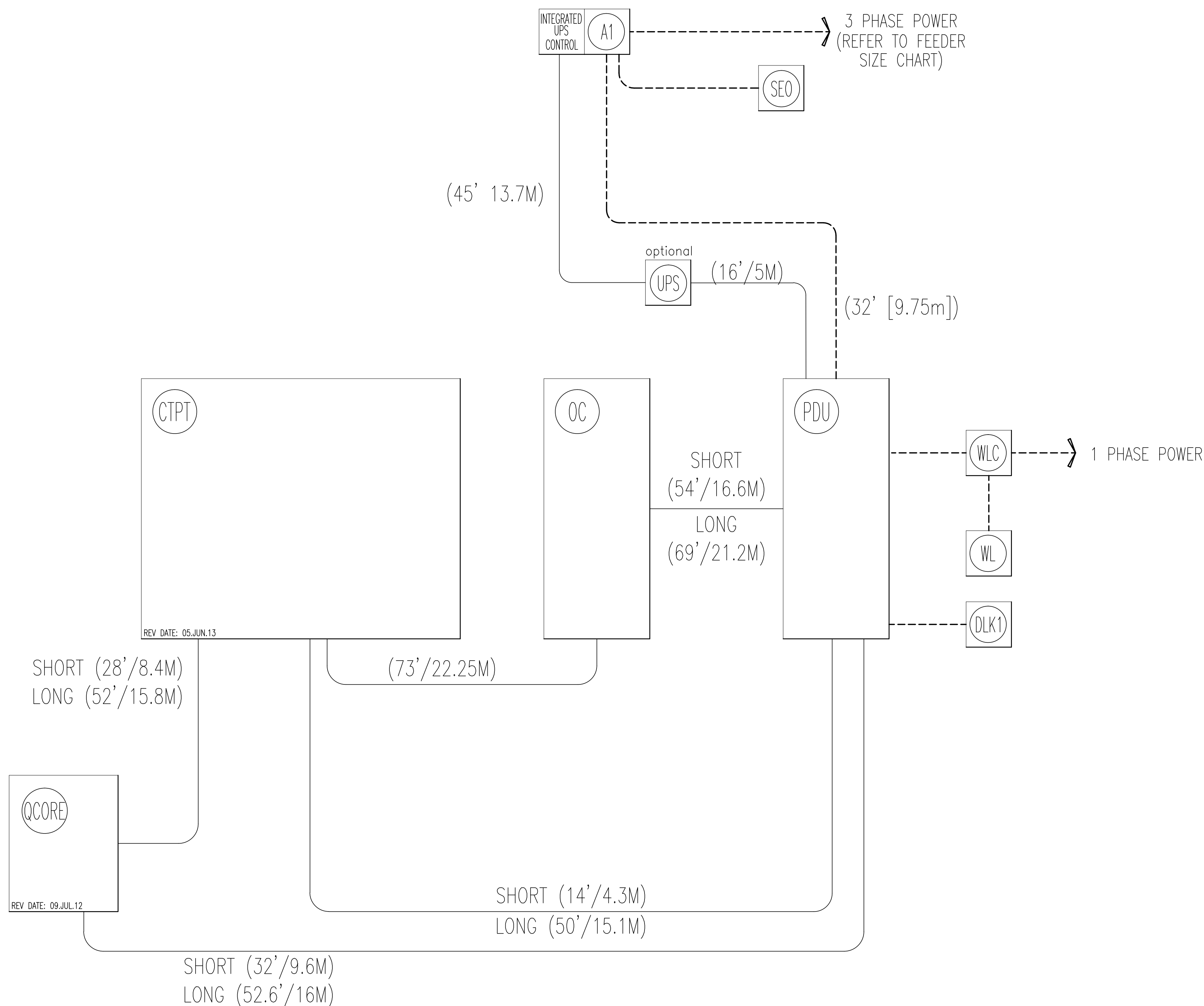
PROJECT TITLE: 12-28f
 TYPICAL LAYOUT

PROJECT 12-28f
 REVISION 01
 DATE: 26.May.16
 DRAWN BY: DMH
 CHECKED BY: REK

REVISION HISTORY:

SHEET E1

INTERCONNECT DIAGRAM



POWER SPECIFICATIONS

Discovery PET/CT 610/710 (64,128 SLICE)

(REV. DATE 09 Jul 12)

VOLTAGE PRIMARY SOURCE IS REQUIRED FOR ALL INSTALLATIONS. RANGE OF LINE VOLTAGES: NOMINAL LINE VOLTAGE OF 380 TO 480, 3 PHASE, 50 OR 60 Hz. RECOMMENDED POWER SUPPLY: WYE-CONNECTED

TABLE A ALLOWABLE INPUT VOLTAGES/ CURRENT DEMAND

NOMINAL VOLTAGE	ABSOLUTE RANGE	CURRENT (AMPS)		MINIMUM STANDARD OVERCURRENT PROTECTION
		MOMENTARY	CONTINUOUS	
380	342-418	228	38	150-A
400	360-440	217	36	150-A
420	378-462	206	34	150-A
440	396-484	197	33	125-A
460	414-506	188	31	125-A
480	432-528	180	30	125-A

(ALL CALCULATIONS BASED UPON NOMINAL VOLTAGE)

PHASE-BALANCE. PHASE-TO-PHASE VOLTAGES MUST BE WITHIN +2 PERCENT OF THE LOWEST PHASE-TO-PHASE VOLTAGE. THE MAXIMUM TRANSIENT VOLTAGE IS 1500V PEAK

VOLTAGE TRANSIENT OR IMPULSE ON THE INCOMING POWER MUST BE HELD TO A MINIMUM. TRANSIENTS CAUSED BY LIGHTNING, SURGES, LOAD SWITCHING, STATIC ELECTRICITY ETC. CAN CAUSE SCAN ABORTS OR IN EXTREME INSTANCES, COMPONENT FAILURE IN THE COMPUTER SUBSYSTEM.

POWER DEMAND CONTINUOUS POWER DEMAND = 30 KVA (MAX DEMAND = 150 KVA)

TABLE B MAXIMUM MOMENTARY POWER DEMAND.

DEMAND	DVCT System
kVa *	150
POWER FACTOR AT	0.85

* DEMAND INCLUDES POWER FOR ENTIRE SYSTEM. LINE VOLTAGE REGULATION AT MAXIMUM POWER DEMAND MUST BE LESS THAN OR EQUAL TO 6 PERCENT.

DISTRIBUTION TRANSFORMER FOR A SINGLE UNIT INSTALLATION, THE MINIMUM TRANSFORMER SIZE IS 225 KVA. GE DOES NOT RECOMMEND USING A REGULATION DEVICE.

NOTE: THE SYSTEM MUST NOT BE POWERED IN A MULTIPLE INSTALLATION WHERE FILM CHANGERS ARE USED. FILM CHANGERS UTILIZE A LARGE NUMBER OF HIGH POWERED CLOSELY SPACED EXPOSURES WHICH MAY COINCIDE WITH THE SCAN.

ELECTRICAL NOTES

- NOTE 1: ALL WIRES SPECIFIED SHALL BE COPPER STRANDED, FLEXIBLE, THERMO-PLASTIC, COLOR CODED, CUT 10 FOOT LONG AT OUTLET BOXES, DUCT TERMINATION POINTS OR STUBBED CONDUIT ENDS. ALL CONDUCTORS, POWER, SIGNAL AND GROUND, MUST BE RUN IN A CONDUIT OR DUCT SYSTEM. ELECTRICAL CONTRACTOR SHALL RING OUT AND TAG ALL WIRES AT BOTH ENDS. WIRE RUNS MUST BE CONTINUOUS COPPER STRANDED AND FREE FROM SPLICES. ALUMINUM OR SOLID WIRES ARE NOT ALLOWED.
- NOTE 2: WIRE SIZES GIVEN ARE FOR USE OF EQUIPMENT. LARGER SIZES MAY BE REQUIRED BY LOCAL CODES.
- NOTE 3: IT IS RECOMMENDED THAT ALL WIRES BE COLOR CODED, AS REQUIRED IN ACCORDANCE WITH NATIONAL AND LOCAL ELECTRICAL CODES.
- NOTE 4: CONDUIT SIZES SHALL BE VERIFIED BY THE ARCHITECT, ELECTRICAL ENGINEER OR CONTRACTOR, IN ACCORDANCE WITH LOCAL OR NATIONAL CODES.
- NOTE 5: CONVENIENCE OUTLETS ARE NOT ILLUSTRATED. THEIR NUMBER AND LOCATION ARE TO BE SPECIFIED BY OTHERS. LOCATE AT LEAST ONE CONVENIENCE OUTLET CLOSE TO THE SYSTEM CONTROL, THE POWER DISTRIBUTION UNIT AND ONE ON EACH WALL OF THE PROCEDURE ROOM. USE HOSPITAL APPROVED OUTLET OR EQUIVALENT.
- NOTE 6: GENERAL ROOM ILLUMINATION IS NOT ILLUSTRATED. CAUTION SHOULD BE TAKEN TO AVOID EXCESSIVE HEAT FROM OVERHEAD SPOTLIGHTS. DAMAGE CAN OCCUR TO CEILING MOUNTING COMPONENTS AND WIRING IF HIGH WATTAGE BULBS ARE USED. RECOMMEND LOW WATTAGE BULBS NO HIGHER THAN 75 WATTS AND USE DIMMER CONTROLS (EXCEPT MR). DO NOT MOUNT LIGHTS DIRECTLY ABOVE AREAS WHERE CEILING MOUNTED ACCESSORIES WILL BE PARKED.
- NOTE 7: ROUTING OF CABLE DUCTWORK, CONDUITS, ETC., MUST RUN DIRECT AS POSSIBLE OTHERWISE MAY RESULT IN THE NEED FOR GREATER THAN STANDARD CABLE LENGTHS (REFER TO THE INTERCONNECTION DIAGRAM FOR MAXIMUM USABLE LENGTHS POINT TO POINT).
- NOTE 8: CONDUIT TURNS TO HAVE LARGE, SWEEPING BENDS WITH MINIMUM RADIUS IN ACCORDANCE WITH NATIONAL AND LOCAL ELECTRICAL CODES.
- NOTE 9: A SPECIAL GROUNDING SYSTEM IS REQUIRED IN ALL PROCEDURE ROOMS BY SOME NATIONAL AND LOCAL CODES. IT IS RECOMMENDED IN AREAS WHERE PATIENTS MIGHT BE EXAMINED OR TREATED UNDER PRESENT, FUTURE, OR EMERGENCY CONDITIONS. CONSULT THE GOVERNING ELECTRICAL CODE AND CONFER WITH APPROPRIATE CUSTOMER ADMINISTRATIVE PERSONNEL TO DETERMINE THE AREAS REQUIRING THIS TYPE OF GROUNDING SYSTEM.
- NOTE 10: THE MAXIMUM POINT TO POINT DISTANCES ILLUSTRATED ON THIS DRAWING MUST NOT BE EXCEEDED.
- NOTE 11: PHYSICAL CONNECTION OF PRIMARY POWER TO GE EQUIPMENT IS TO BE MADE BY CUSTOMERS ELECTRICAL CONTRACTOR WITH THE SUPERVISION OF A GE REPRESENTATIVE. THE GE REPRESENTATIVE WOULD BE REQUIRED TO IDENTIFY THE PHYSICAL CONNECTION LOCATION, AND INSURE PROPER HANDLING OF GE EQUIPMENT.
- NOTE 12: GEHC CONDUCTS POWER AUDITS TO VERIFY QUALITY OF POWER BEING DELIVERED TO THE SYSTEM. THE CUSTOMER'S ELECTRICAL CONTRACTOR IS REQUIRED TO BE AVAILABLE TO SUPPORT THIS ACTIVITY.

DIAGRAM KEY

- CUSTOMER/CONTRACTOR SUPPLIED WIRING. ROUTE IN ADEQUATE CONDUIT OR RACEWAY.
- GE FURNISHED CABLE RUNS. ROUTE IN EMPTY CONDUIT OR RACEWAY.
- 59' [18M] MAXIMUM RUN LENGTH BETWEEN JUNCTION POINTS. Feet, [Meters]

GE Healthcare
Healthcare Project Implementation - Design Center
Milwaukee, Wisconsin

SHEET TITLE: ELECTRICAL SPECIFICATIONS
MODALITY TYPE: DISCOVERY PET/CT

THIS PLAN IS SUBMITTED TO SURVEY LOCATION OF GE HEALTHCARE EQUIPMENT AND ASSOCIATED APPARATUS. ELECTRICAL WIRING DETAILS AND ROOM ARRANGEMENTS IN PREPARING THIS PLAN. EVERY EFFORT HAS BEEN MADE TO CONFORM DETAILS TO ACTING CONTRACTOR'S REQUIREMENTS. GE HEALTHCARE DOES NOT ACCEPT RESPONSIBILITY FOR ANY DAMAGES RESULTING THEREFROM.

PROJECT TITLE:
12-28f
TYPICAL LAYOUT

PROJECT	REVISION
12-28f	01

DATE: 26 May 16
DRAWN BY: DMH
CHECKED BY: REK

REVISION HISTORY:

SHEET
E2

PIM R4
RQ - 161029

ELECTRICAL DETAIL X-RAY WARNING LIGHT & ROOM LIGHT CONTROL PANEL

ELEC-17
REV. DATE: 10.APR.13

E4502SS
X-RAY ROOM WARNING LIGHT / ROOM LIGHTING CONTROL PANEL

E4502RL
X-RAY ROOM WARNING LIGHT CONTROL PANEL

CONTROL PANEL CAN BE LOCATED ABOVE THE CEILING NEAR THE WARNING LIGHT
UNLESS SPECIFIED ON SHEET A1 AS BEING INCLUDED ON EQUIPMENT ORDER,
ALL ITEMS ILLUSTRATED ARE TO BE FURNISHED AND INSTALLED BY CUSTOMER'S CONTRACTOR

ELECTRICAL DETAIL HORIZONTAL WALL DUCT (TYPICAL)

ELEC-5
REV. DATE: 03/19/04

DUCT WIDTH	MINIMUM DIVIDERS REQUIRED
24" [610mm]	2
18" [457mm]	2
10" [254mm]	2
6" [152mm]	1
4" [102mm]	1

DETAIL NOT TO SCALE

ELECTRICAL DETAIL VERTICAL WALL DUCT (TYPICAL)

ELEC-6
REV. DATE: 03/19/04

DUCT WIDTH	MINIMUM DIVIDERS REQUIRED
24" [610mm]	2
18" [457mm]	2
10" [254mm]	2
6" [152mm]	1
4" [102mm]	1

DETAIL NOT TO SCALE

ELECTRICAL DETAIL BOX WITH SPLIT COVERPLATE (TYPICAL)

ELEC-22
REV. DATE: 10/13/94

DETAIL NOT TO SCALE

ELECTRICAL DETAIL FLUSH FLOOR DUCT (TYPICAL)

ELEC-25
REV. DATE: 4/01/04

DUCT WIDTH	MINIMUM DIVIDERS REQUIRED
24" [610mm]	2
18" [457mm]	2
10" [254mm]	2
6" [152mm]	1
4" [102mm]	1

12" TRENCH DUCT: A = 10", B = 12"
18" TRENCH DUCT: A = 18", B = 20"

DETAIL NOT TO SCALE

ELECTRICAL DETAIL INSITE CONNECTION (TYPICAL)

ELEC-1
REV. DATE: 04/24/02

ONE OF THE FOLLOWING TWO SELECTIONS MUST BE INSTALLED AT THE LOCATION SHOWN ON THE ELECTRICAL PLAN (SHEET E1) FOR GE INSITE CONNECTION BASED UPON SYSTEM CONFIGURATION.

A) ONE INTERNET ACCESSIBLE VIRTUAL PRIVATE NETWORK (VPN) CONNECTION WITH A STATIC IP ADDRESS, AND ONE TELEPHONE LINE - DEDICATED-DIRECT-DIALING, VOICE GRADE.

OR

B) TWO TELEPHONE LINES - ONE DEDICATED DIRECT-DISTANCE-DIALING, VOICE GRADE AND ONE A DEDICATED DATA LINE.

ALL ITEMS ILLUSTRATED ARE TO BE FURNISHED AND INSTALLED BY CUSTOMER OR THEIR CONTRACTOR.

DETAIL NOT TO SCALE

ELECTRICAL DETAIL BOX WITH COVERPLATE AND NETWORK JACK

ELEC-83
REV. DATE: 10/06/98

DETAIL NOT TO SCALE

ELECTRICAL DETAIL NETWORK CONNECTION (TYPICAL)

ELEC-84
REV. DATE: 03/06/04

FOR NUCLEAR SYSTEMS A DIRECT NETWORK CONNECTION IS TO BE MADE BETWEEN THE SYSTEM AND THE REVIEW WORKSTATION.

DETAIL NOT TO SCALE

ELECTRICAL DETAIL BOX WITH COVERPLATE (TYPICAL)

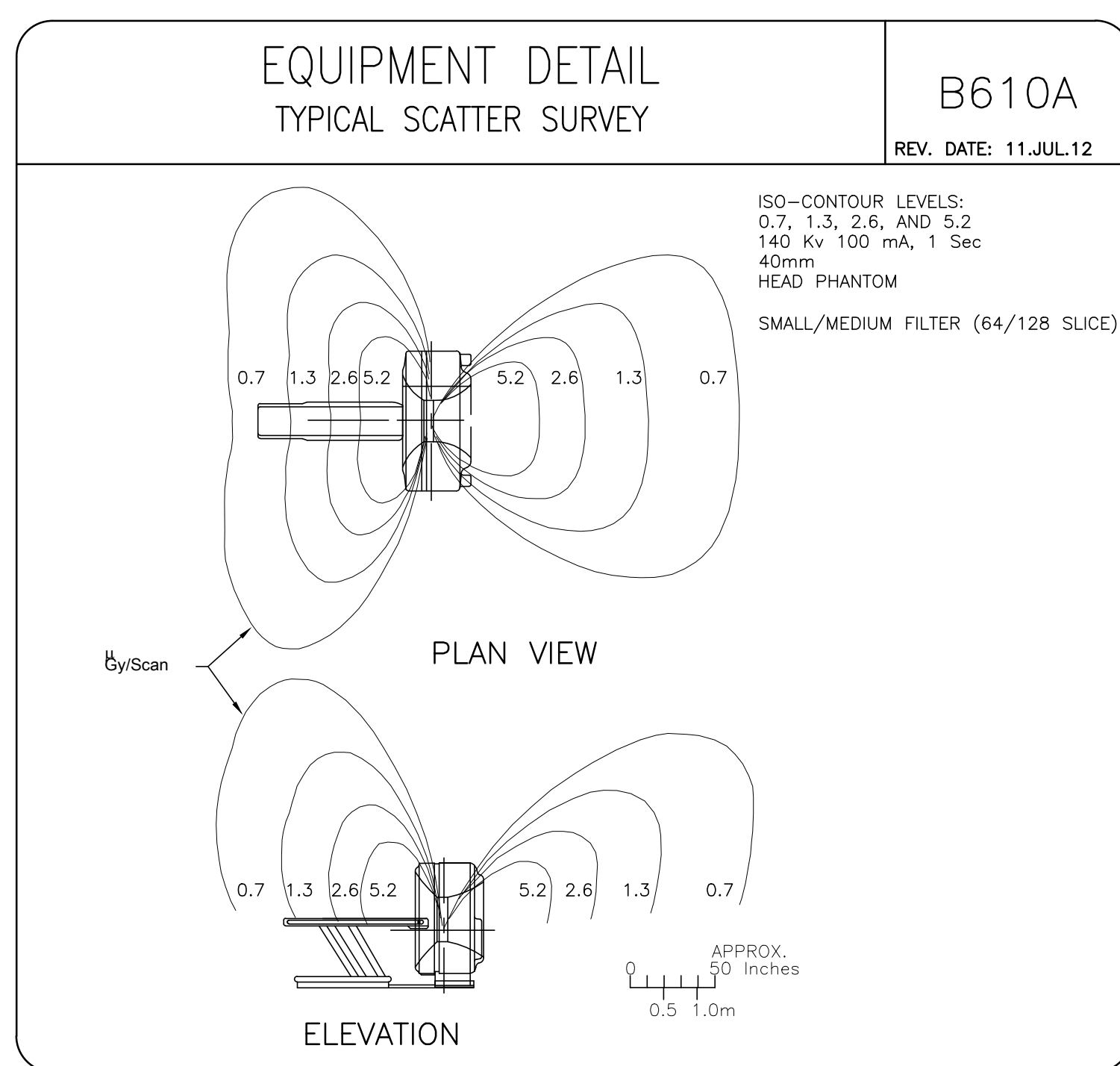
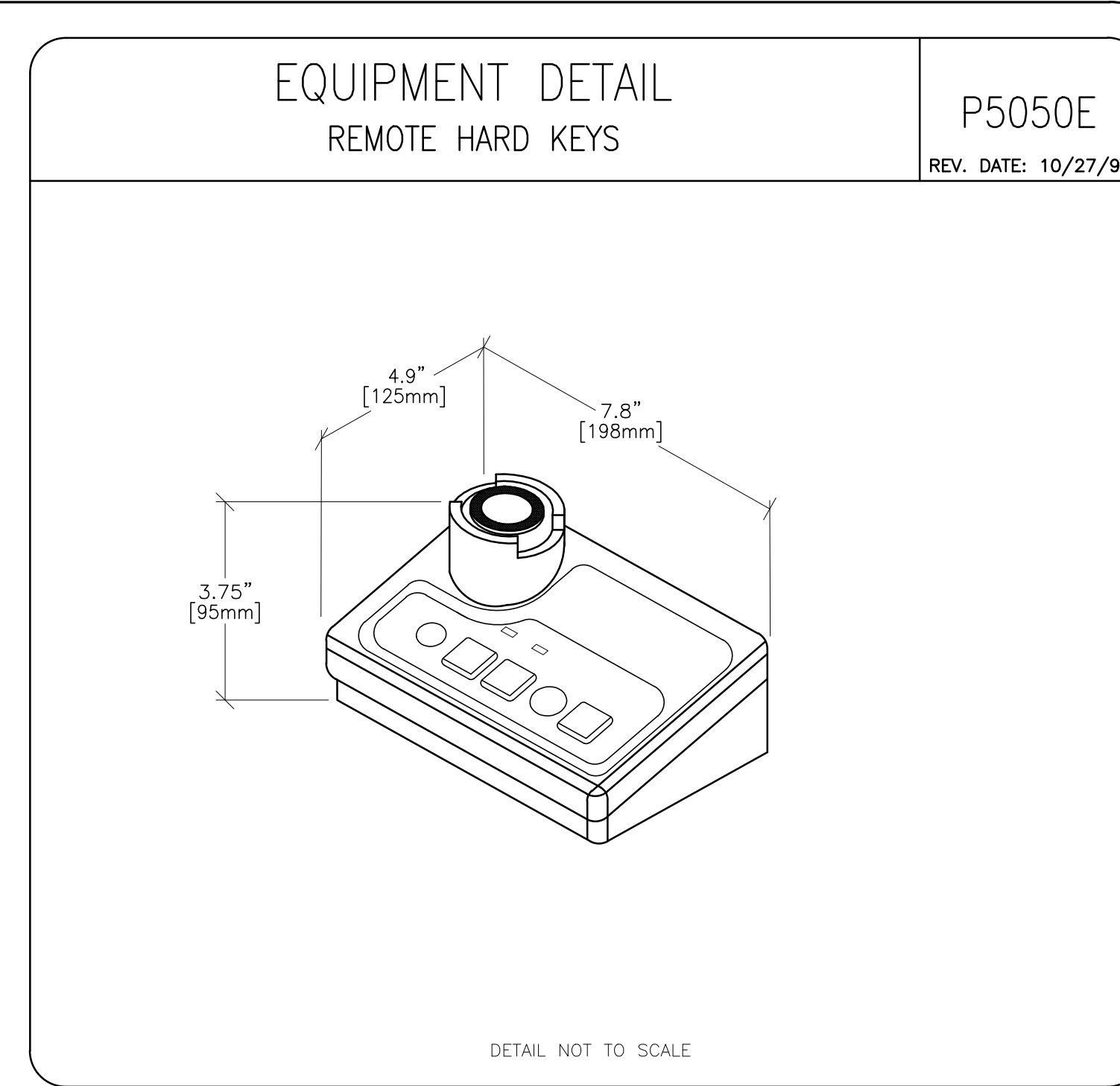
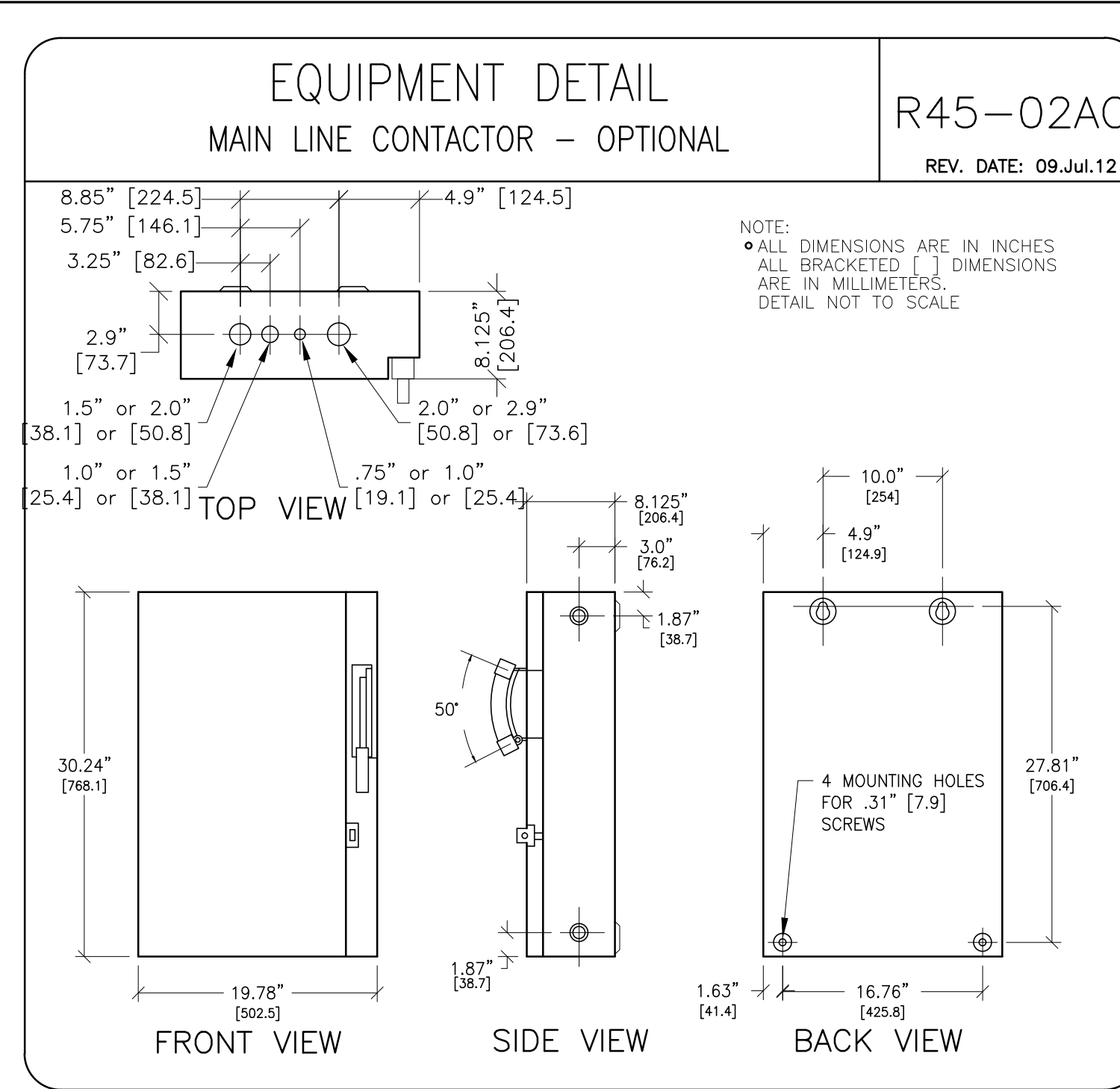
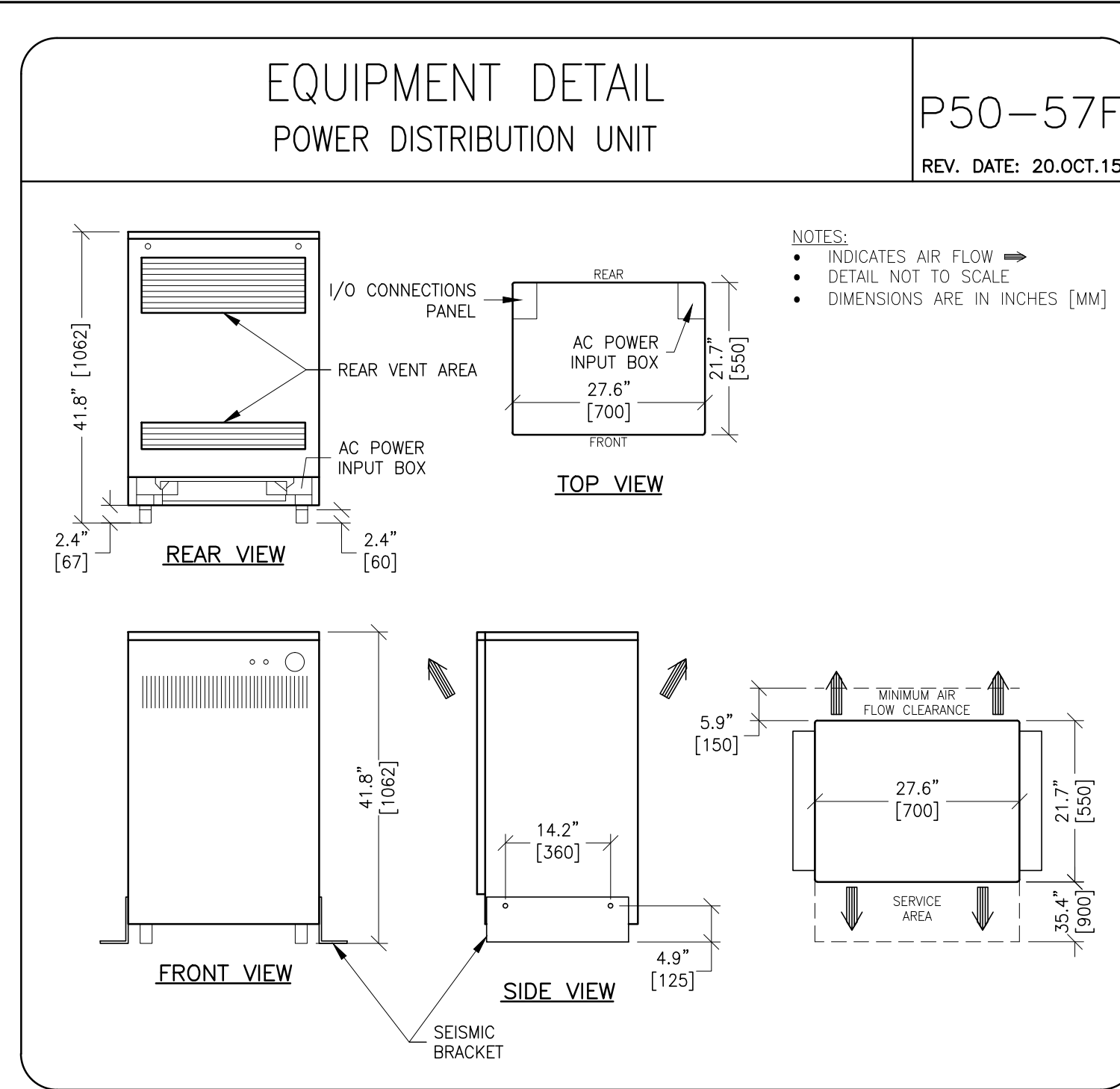
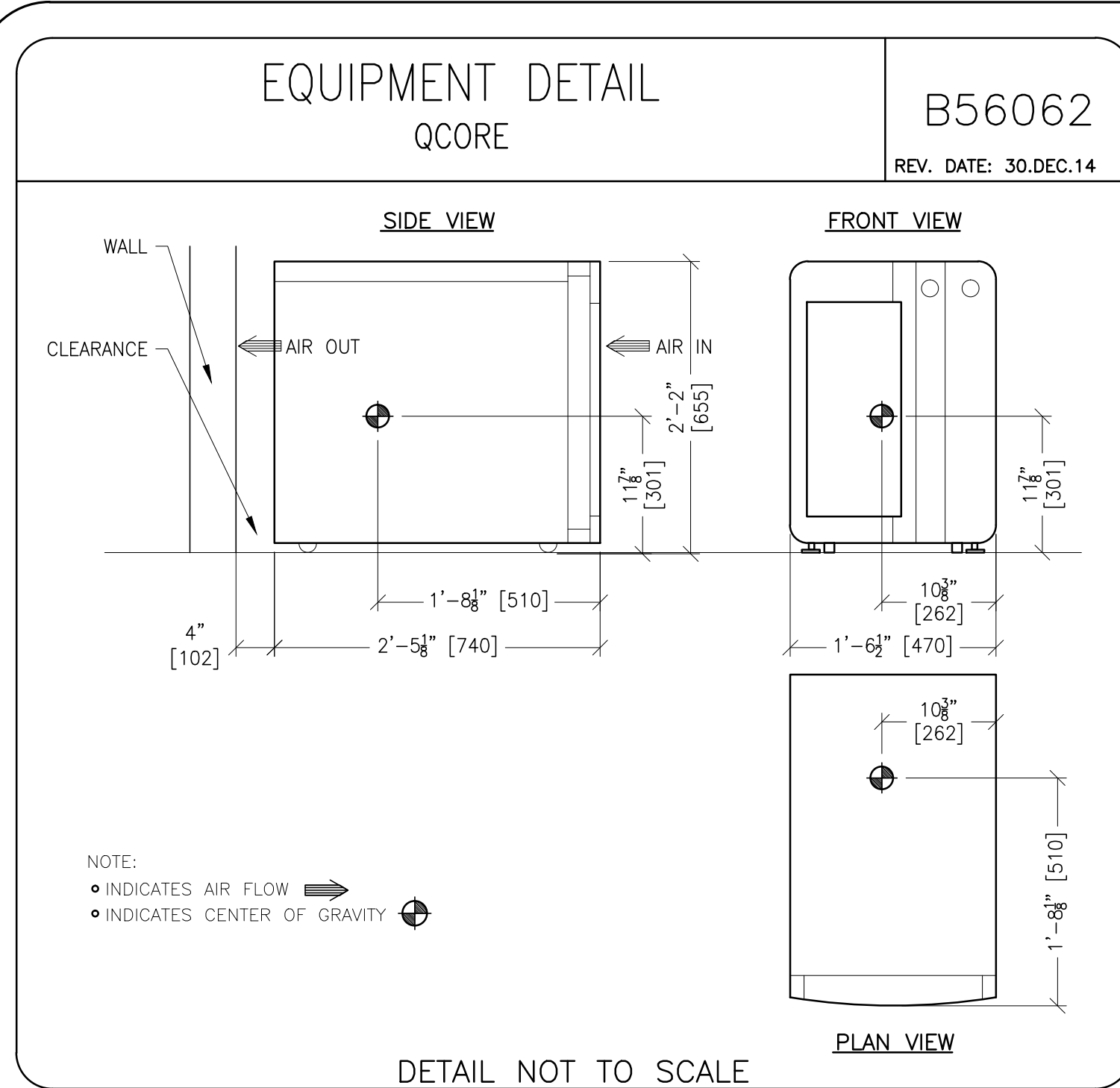
ELEC-8
REV. DATE: 09/30/94

DETAIL NOT TO SCALE

ELECTRICAL DETAIL EMERGENCY OFF BUTTON

ELEC-16
REV. DATE: 05/14/09

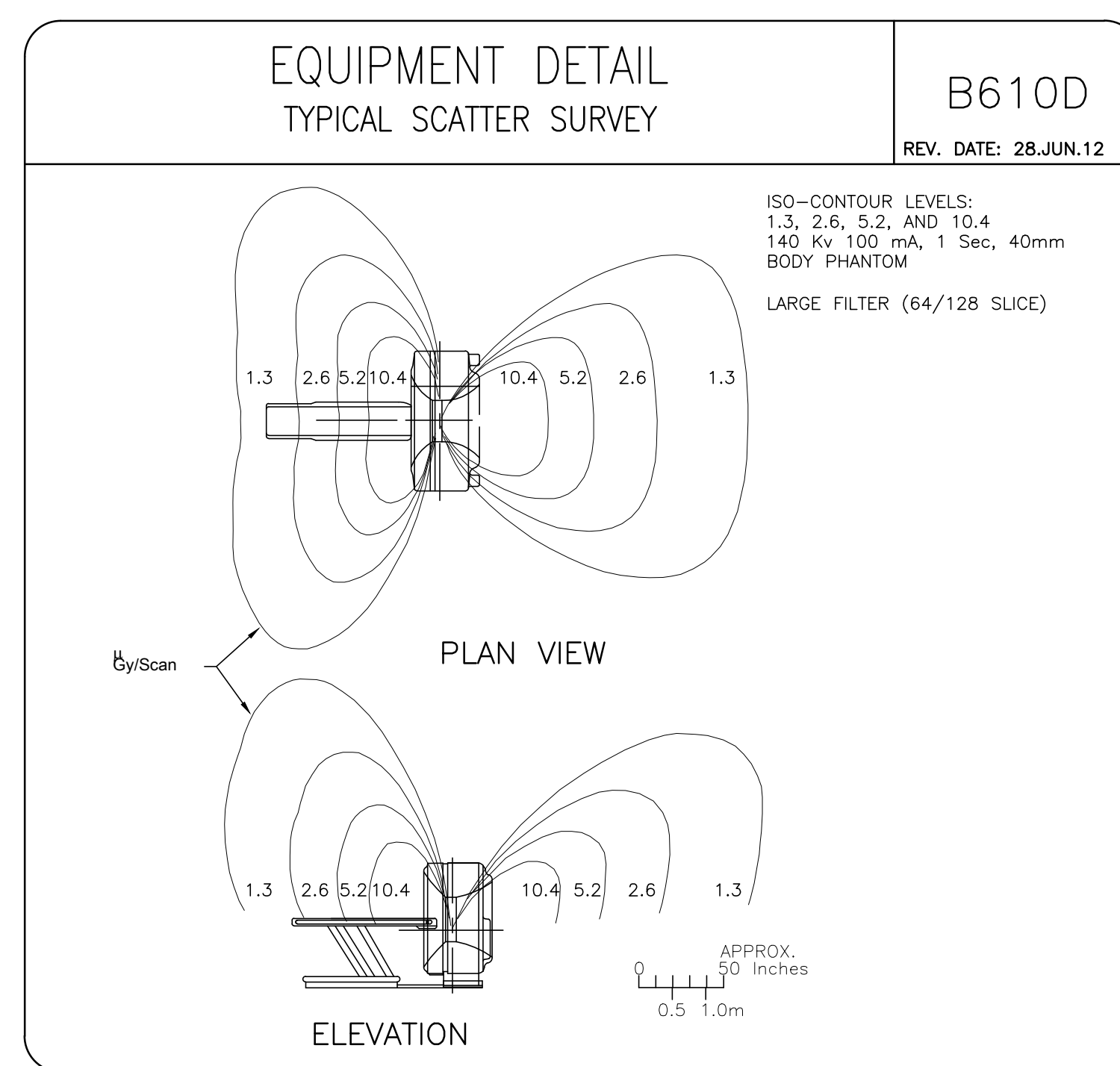
DETAIL NOT TO SCALE



EQUIPMENT DETAIL EQUIPMENT SHIPPING DETAIL

B5060A
REV. DATE: 08.JAN.15

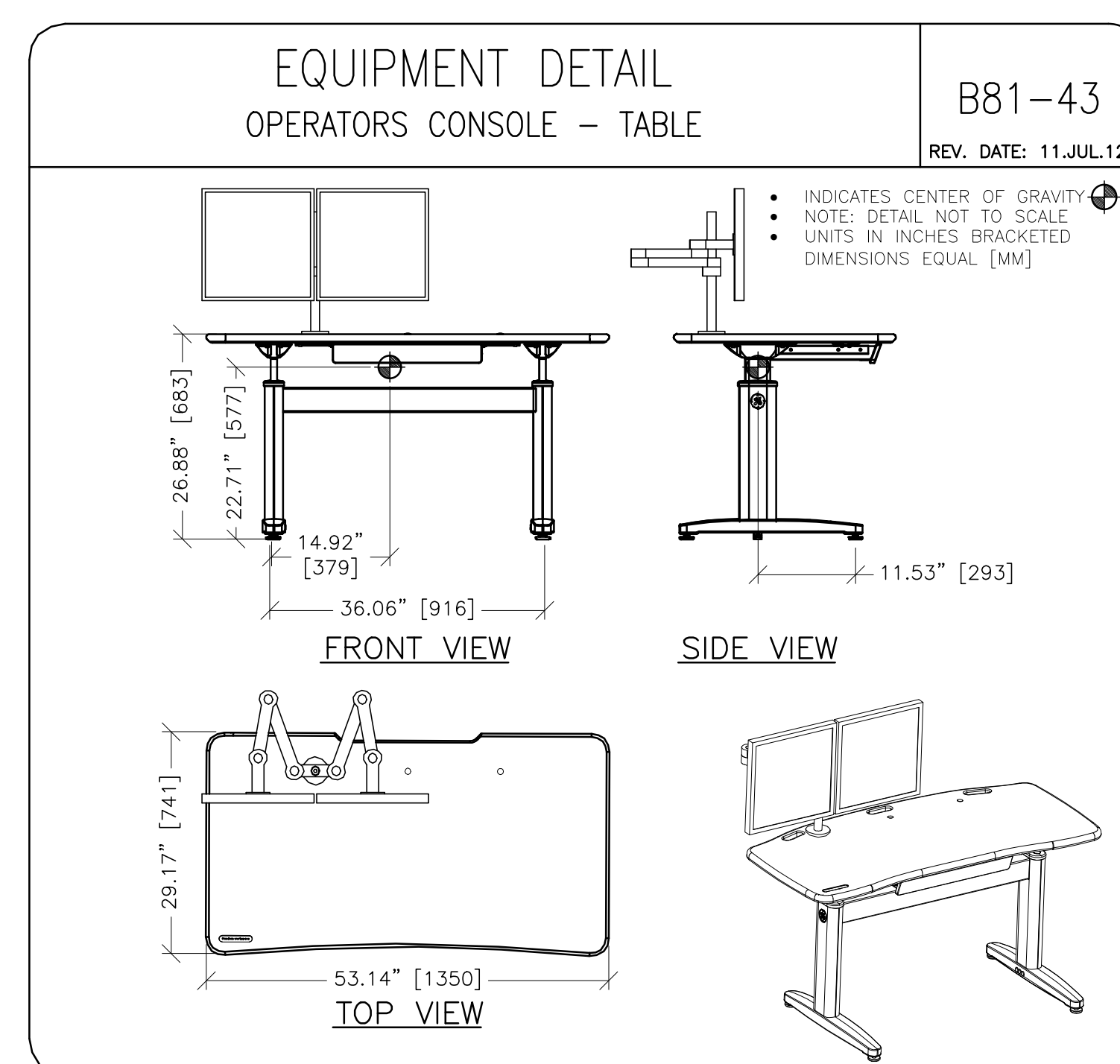
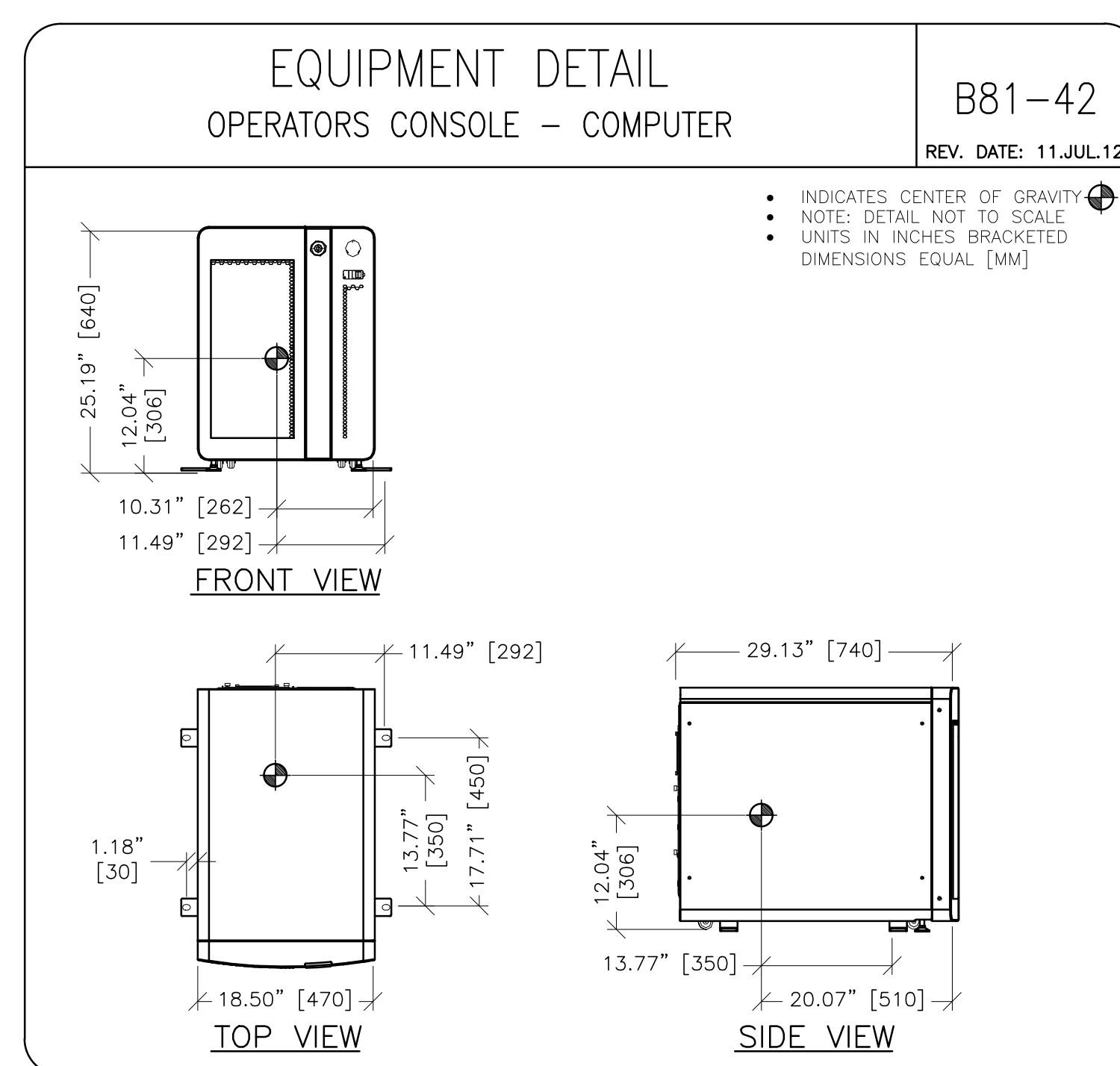
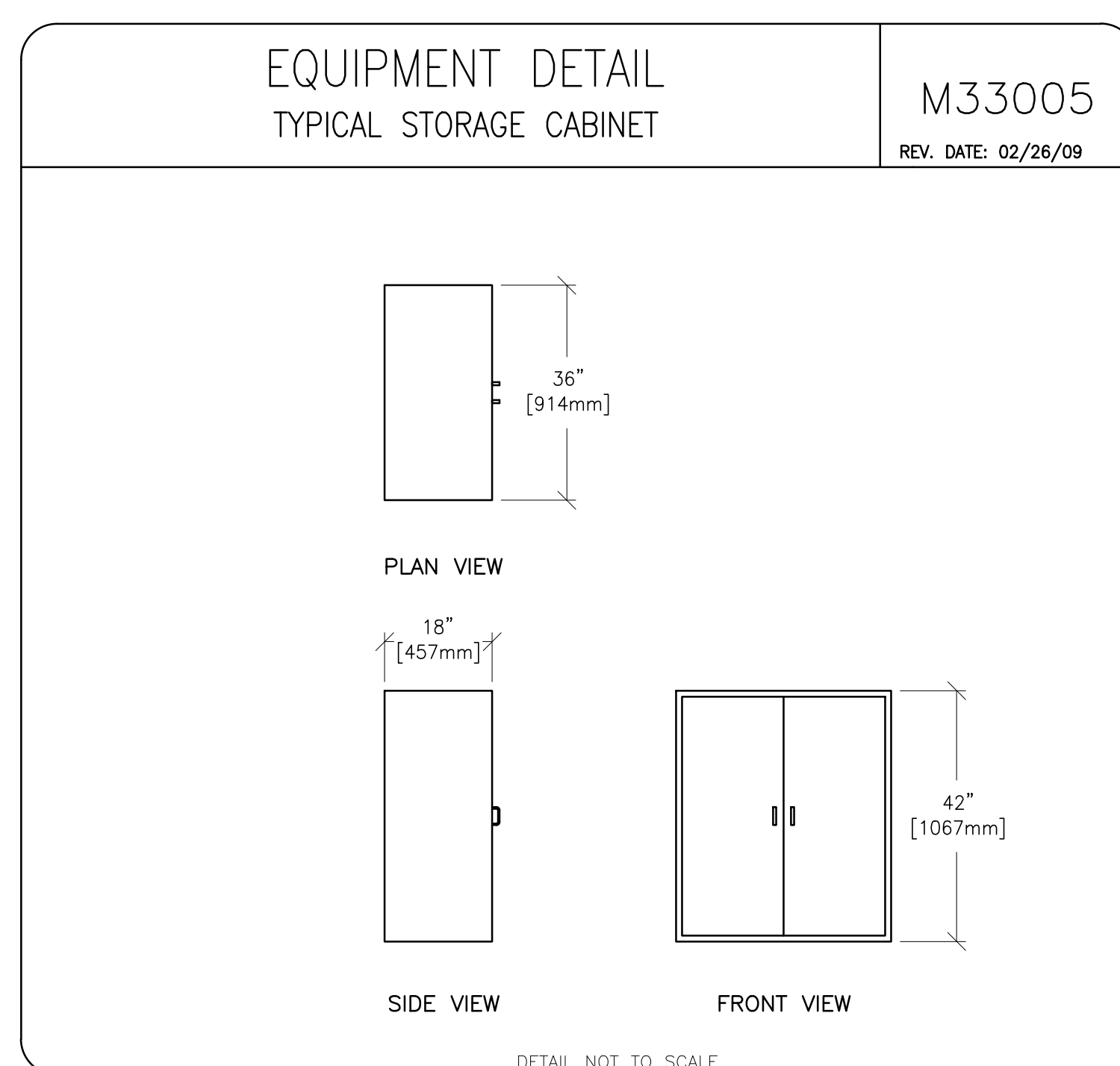
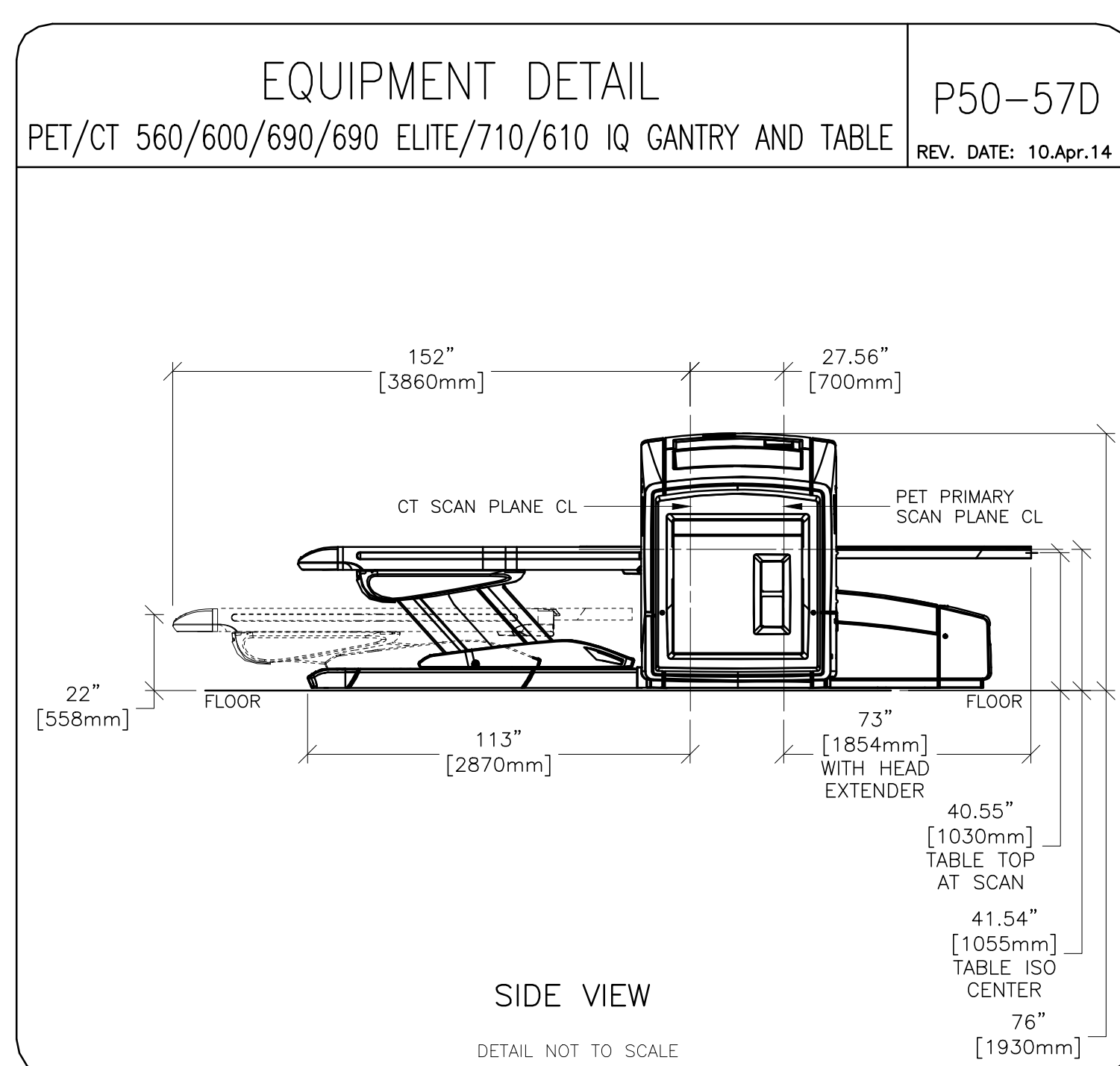
CONFIGURATION	LENGTH - IN. [MM]	WIDTH - IN. [MM]	HEIGHT - IN. [MM]	WEIGHT - lb [kg]
64 SLICE CT GANTRY, DOLLIES ON, SIDE RAILS ON	114 [2896]	51 [1295]	77 [1955]	4260 [1932]
16 SLICE CT GANTRY, DOLLIES ON, SIDE RAILS ON	111 [2810]	51 [1290]	79 [2000]	4360 [1982]
PET SOURCE RING AND TRAILER W/DOLLIES	96 [2438]	41.5 [1054]	43 [1092]	1340 [608]
PET IMAGE RING DOLLIES ON, SIDE BRACES ON	110 [2794]	44 [1118]	74 [1880]	2820 [1282]
PET IMAGE RING WITHOUT DOLLIES	76 [1931]	28 [720]	72 [1819]	2110 [954]
PET RETRACTOR & BASE ASSEMBLY	96 [2438]	41.5 [1054]	39 [990]	1495 [678]
Q.CORE ON SKID	34 [864]	25 [635]	42 [1067]	87 [192]
POWER DISTRIBUTION UNIT W/CARDBOARD PACKAGING	30 [762]	23 [584]	43 [1092]	910 [413]
CONSOLE ON SKID	34 [864]	25 [635]	42 [1067]	192 [87]
TABLE - BLUE DOLLIES ON	58 [3836]	34 [864]	55.5 [1410]	1241 [2736]
TABLE - BLUE DOLLIES OFF, RED CASTORS ON	120 [3048]	40 [1016]	55.5 [1410]	1295 [2856]
TABLE TILTING	98-115 [2489-2921]	38 [965]	70-80 [1778-2032]	2530 [1147]



EQUIPMENT DETAIL STORAGE CABINET CHART

B6090N
REV. DATE: 09.JUL.12

ITEM	SIZE	WEIGHT
STORAGE CABINET	46 X 91 X 107 CM (18" D X 36" W X 42" H)	45.3 KG (100 LB) (APPROXIMATELY)
QA PHANTOM (WATER FILLED)	23 X 15 CM (9" X 6")	4.5 KG (10 LB)
PET PHANTOM (VCQ)	45 X 35 X 20 CM (18" X 14" X 8")	0.9 KG (2 LB)
PHANTOM HOLDER	25 X 25 CM (10" X 10")	9.1 KG (20 LB)
FE DOCUMENTS & CD/DVD	-	4.5 KG (10 LB)
STOOL	48 X 48 CM (19" X 19")	1 KG (2 LB)
BLUE TOTE	81 X 51 X 32 CM (30" X 20" X 12")	2 KG (4 LB)
INSTALL SUPPORT KIT (BOX)	30 X 30 X 38 CM (12" X 12" X 15")	9.1 KG (20 LB)
TUBE HOIST KIT	77 X 8 CM AND 38 X 15 CM (30" X 3" AND 15" X 6")	13.6 KG (30 LB)
BALANCE WEIGHT KIT	(2 BOXES)	33 KG (73 LB)
SPATIAL RESOLUTION PHANTOM	18 X 15 X 8 CM (7" X 6" X 3")	-



PROJECT	REVISION
12-28f	01

DATE: 26.May.16
 DRAWN BY: DMH
 CHECKED BY: REK

REVISION HISTORY:

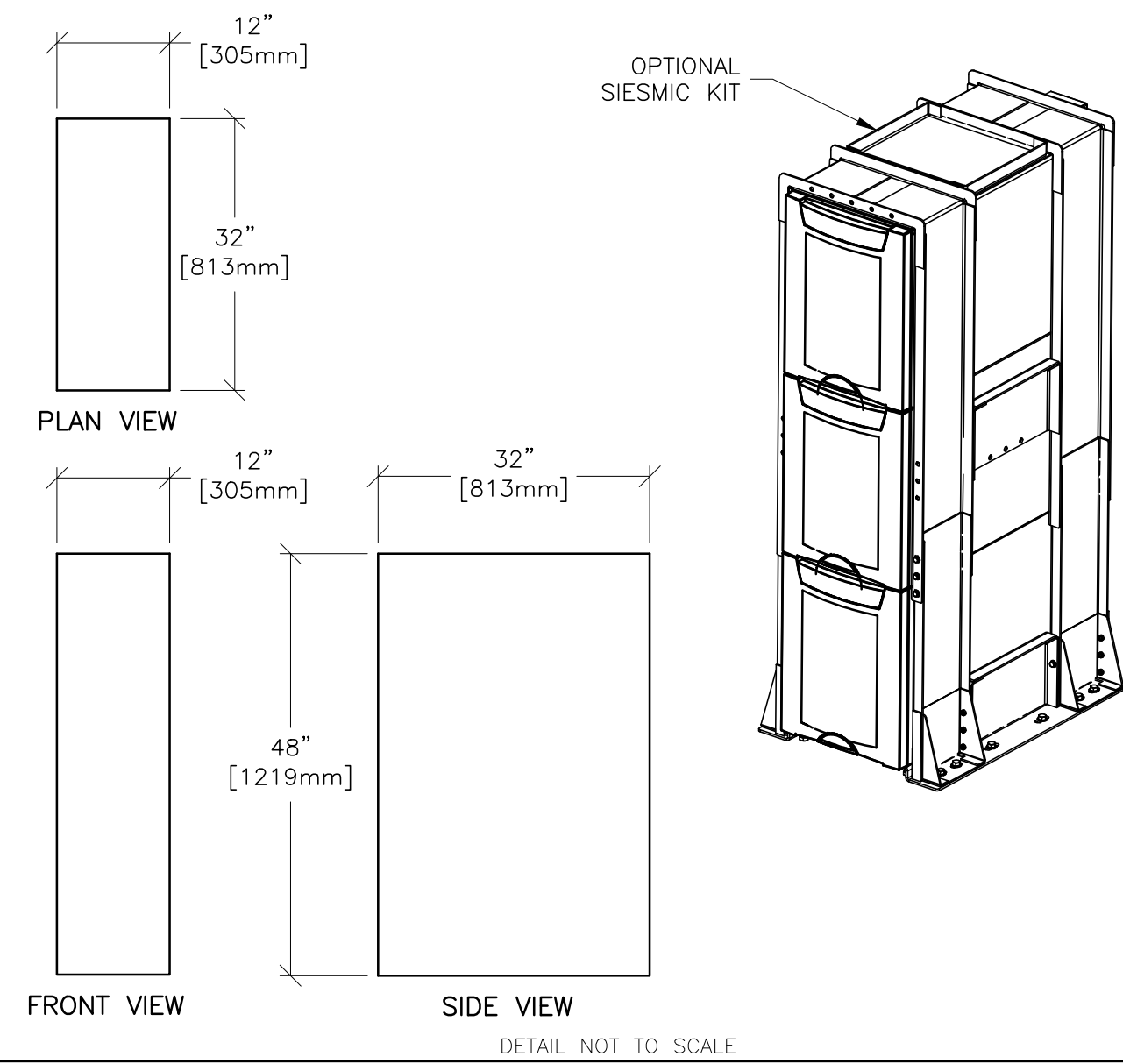
PIM R4
 RQ - 161029

EQUIPMENT DETAIL

UPS SYSTEM (CAT. NO. B7864PZ/P5064PS/E4502F)

B7864PZ

REV. DATE: 26.AUG.15



GE Healthcare
Healthcare Project Implementation - Design Center
Milwaukee, Wisconsin

SHEET TITLE: EQUIPMENT DETAILS
MODALITY TYPE: DISCOVERY PET/CT

THIS PLAN IS SUBMITTED TO SUGGEST LOCATION OF GE HEALTHCARE EQUIPMENT AND ASSOCIATED APPARATUS. ELECTRICAL WIRING DETAILS AND ROOM ARRANGEMENTS IN PREPARING THIS PLAN. EVERY EFFORT HAS BEEN MADE TO CONFORM DETAILS TO THE MANUFACTURER'S REQUIREMENTS. THE USER SHALL BE RESPONSIBLE FOR VERIFYING ALL CONSTRUCTION DETAILS, DIMENSIONS, AND THE COMPANY CANNOT ACCEPT RESPONSIBILITY FOR ANY DAMAGES RESULTING THEREFROM.

PROJECT TITLE:
12-28f
TYPICAL LAYOUT

PROJECT	REVISION
12-28f	01
DATE:	26.May.16
DRAWN BY:	DMH
CHECKED BY:	REK

REVISION HISTORY:

SHEET
D2

PIM R4

RQ - 161029