



**GE Healthcare**  
**Project Management**

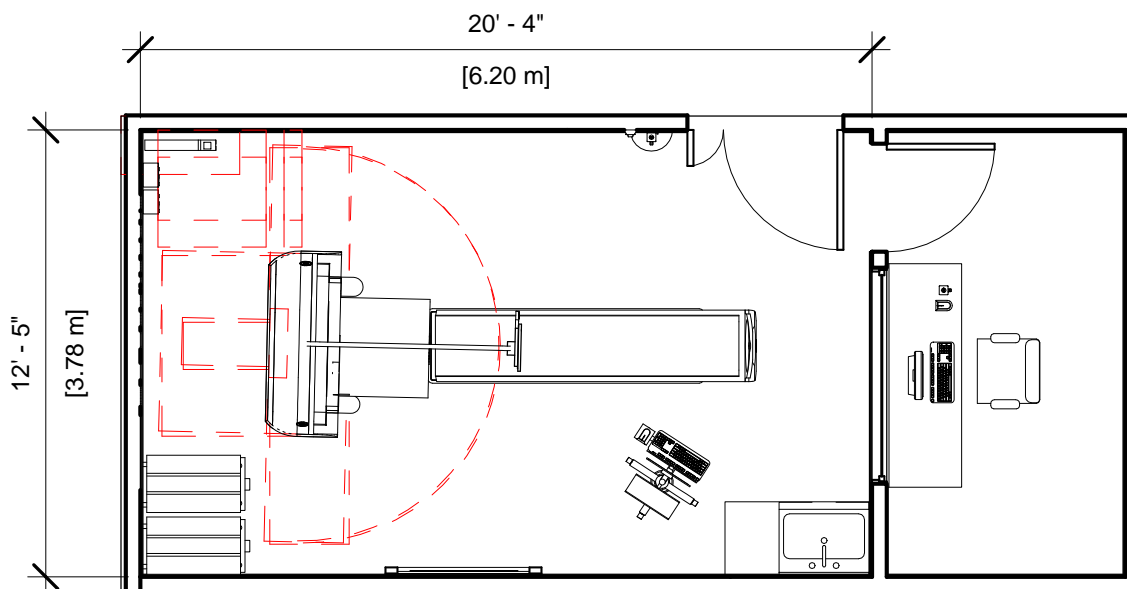
GE Healthcare has made reasonable efforts to ensure this BIM file conforms to requirements of the applicable pre-installation manual. This BIM file was produced to assist with site planning and is not intended for construction or final building modeling. GE Healthcare is not responsible for any damages resulting from use of such file for construction or final building modeling purposes. Compliance with all applicable local, state, and federal laws and regulations is the responsibility of the customer or its designated architects and engineers. Please keep in mind the information in this BIM file is dynamic and is subject to change without notice. It is the responsibility of the customer or its designated architect(s) and engineer(s) to ensure they have the latest equipment or product information.

**DISCOVERY NM 630 - RENDERING**

<b>Project number</b>	<b>7-78</b>
<b>Date</b>	<b>19.JULY.17</b>
<b>Drawn by</b>	<b>GENPACT</b>
<b>Checked by</b>	

**A-1**

**Scale 12" = 1'-0"**



### Specialty Equipment Schedule

Description	Weight (lbs)	BTU
<b>CONTROL ROOM</b>		
XELERIS WORKSTATION	55	255
EMO PUSHBUTTON	0	0
<b>EXAM ROOM</b>		
PATIENT TABLE	859	682
DISCOVERY NM 630 GANTRY	4828	4501
COLLIMATOR CART	1058	0
6 KVA UPS	125	1959
OPERAORS CONSOLE		
COLLIMATOR CART	1058	0
30-AMP,208V DISCONNECT	0	0
30-AMP,208V DISCONNECT	0	0
EMO PUSHBUTTON	0	0



**GE Healthcare  
Project Management**

GE Healthcare has made reasonable efforts to ensure this BIM file conforms to requirements of the applicable pre-installation manual. This BIM file was produced to assist with site planning and is not intended for construction or final building modeling. GE Healthcare is not responsible for any damages resulting from use of such file for construction or final building modeling purposes. Compliance with all applicable local, state, and federal laws and regulations is the responsibility of the customer or its designated architects and engineers. Please keep in mind the information in this BIM file is dynamic and is subject to change without notice. It is the responsibility of the customer or its designated architect(s) and engineer(s) to ensure they have the latest equipment or product information.

### DISCOVERY NM 630 - PLAN & SCHEDULE

Project number	7-78
Date	19.JULY.17
Drawn by	GENPACT
Checked by	

**A-2**

Scale 3/16" = 1'-0"

Hold the Left Click for Rotating around  
Use the Scroll for Zooming in and out



7-78-Discovery NM 630



GE Healthcare

[Click for Site Planning Support](#)