

# Drawing Index

These sheets are a document set and should not be separated. Electrical information and references are contained on all sheets.

SITE READINESS	C1
EQUIPMENT LAYOUT (Equipment locations, heat loads, component weights, environmental specs)	A1
STRUCTURAL LAYOUT (Structural support/mounting locations for floor/wall/ceiling, wall support elevations)	S1
STRUCTURAL DETAILS (Floor and Ceiling loading information)	S2
ELECTRICAL SPECIFICATIONS (Maximum wiring run lengths, interconnect diagram, system power specifications)	E2
EQUIPMENT DETAILS	D1

These equipment installation drawings indicate the placement and interconnection of the listed equipment components. These drawings are not construction or site preparation drawings. Customer remains ultimately responsible for preparing the site to accommodate the installation and operation of such equipment in compliance with GE Healthcare's written specifications and all applicable federal, state, and/or local requirements.

## \* REQUIRED REFERENCE \*

### INSTRUMENTARIUM DIAMOND Preinstallation Manual

A mandatory component of this drawing set is the GE Healthcare Preinstallation manual. Failure to reference the preinstallation manual will result in incomplete documentation required for site design and preparation.

Preinstallation documents for GE Healthcare products can be accessed on the web at:

<http://www.gehealthcare.com/company/docs/siteplanning.html>

# GE Healthcare



## Women's Health Site Planning



imagination at work

# Customer Site Readiness Requirements

- Any deviation from these drawings must be communicated in writing to and reviewed by your local GE Healthcare Installation Project Manager prior to making changes.
- Make arrangements for any rigging, special handling, or facility modifications that must be made to deliver the equipment to the installation site. If desired, your local GE Healthcare Installation Project Manager can supply a reference list of rigging contractors.
- New construction requires the following: 1. Secure area for equipment, 2. Power for drills and other test equipment, 3. Capability for image analysis, 4. Restrooms.
- Provide for refuse removal and disposal (e.g. crates, cartons, packing)
- Contact a radiation physicist or consultant to specify radiation containment requirements.

# GE Equipment Delivery Requirements

Items 1 through 8 on the GE Healthcare Site Readiness Checklist are REQUIRED to facilitate equipment delivery to the installation site. Equipment will not be delivered if these requirements are not satisfied.

GE Healthcare Site Readiness Checklist					
GEHC Global Order # : _____		Customer: _____			
GEHC On-site Representative : _____		MI Supplier: _____			
Name of customer reviewed with : _____		Lead Installer: _____			
GEHC PMI : _____		Phone Number: _____			
Target Site Prep Completion Date: _____		Helper: _____			
The customer is responsible for proper site preparation and site readiness regardless of any GEHC inspections/assessments.					
Inspection Date	Storage: Is item ready?	Predict (Pre-ship) Is this item ready?	Verify (Delivery): Is item ready?	Validate (Mech Install): Is item ready?	Comments
Item #	GEHC Minimum Requirements				If "N", please enter in comments or action plan
1	Equipment installation drawings must match actual room size and must meet clearance requirements. Deviations that meet installation requirements may be red-lined. If red-lining is allowed by local code. Seismic requirements are identified on construction drawings.				
2	Delivery route to installation or storage area meets requirements and has been discussed and scheduled with the customer. Ensure floor protection is discussed, requirements identified, and will be available at time of delivery and installation.				
3	Rooms that will contain equipment, including storage areas, are dust free. Room security to prevent unauthorized access and theft has been discussed with customer. The customer is aware of these security issues, implications and responsibility.				
4	In room HVAC ductwork and units (in room) must be mechanically installed and dust free. Installation rooms appear to meet environmental conditions (see Further Definitions) and observed issues have been communicated to the customer. If being stored, storage area must meet PIM storage criteria.				
5	Ceiling grid is installed, Unistrut is located per the installation drawings, and permanent lighting is installed and operational.				
6	Floor is clean and prepared for final floor covering. Customer has verified floor leveling meets the equipment installation drawings and PIM specs and no visible defects are observed. Gantry and table baseplate are installed prior to delivery (if applicable)				
7	Access to a working phone at the facility for emergency use, including MR magnet delivery.				
8	All walls primed (final coat not needed on Day 1), and counter tops that will support equipment must be installed. No dust-producing cabinetry work in installation areas.				
9	Mechanical supplier has been provided with a set of equipment installation drawings for reference. For California, permitted construction drawings or PMI-specified installation drawings are required.				
10	Conduit/electrical cable ducting/dividers/ access flooring installed, with the exception of surface-mounted floor ducting. Wiring to the main disconnect panel is installed and compliant with equipment installation drawings or pre-installation manual.				

Issued Date: 7/9/07 Rev 11

GE Healthcare Technologies  
Installation Services Design Center  
Milwaukee, Wisconsin

SHEET TITLE: SITE READINESS  
MODALITY TYPE: INSTRUMENTARIUM DIAMOND  
THIS PLAN IS SUBMITTED TO SUGGEST LOCATION OF GE HEALTHCARE EQUIPMENT AND ASSOCIATED APPARATUS, ELECTRICAL WIRING DETAILS AND ROOM ARRANGEMENTS. TO FACILITATE EQUIPMENT DELIVERY TO THE INSTALLATION SITE, CUSTOMER SHALL BE RESPONSIBLE FOR PROVIDING ALL NECESSARY ACCESS AND CLEARANCE FOR THE EQUIPMENT. THE COMPANY CANNOT ACCEPT RESPONSIBILITY FOR ANY DAMAGES RESULTING THEREFROM.

PROJECT TITLE:  
TYPICAL FINAL  
INSTALLATION DRAWING

PROJECT: 9-30F  
REVISION: 00  
DATE: 06-16-08  
DRAWN BY: CPC  
CHECKED BY: CPC

REVISION HISTORY:  
\_\_\_\_\_  
\_\_\_\_\_  
\_\_\_\_\_

SHEET  
C1

GE EQUIPMENT LISTING

EQUIPMENT ON ORDER FROM GE HEALTHCARE, INSTALLED BY GE HEALTHCARE, PER : NEITHER A QUOTE OR GON WAS ISSUED AT THE DATE OF THESE DRAWINGS

NOTE: LOCAL CONDITIONS MAY DICTATE THAT ITEMS IDENTIFIED IN THIS CATEGORY BE INSTALLED BY OTHERS.

EQUIPMENT CROSS REFERENCE CHART  
 P = PREAPPROVAL  
 C = CALCULATIONS/PENDING APPROVAL  
 S = SPECIFICATIONS ONLY

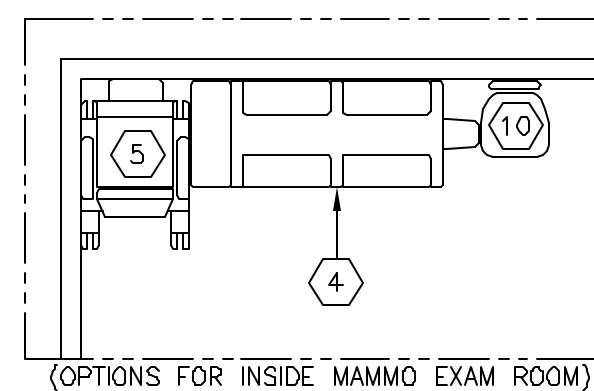
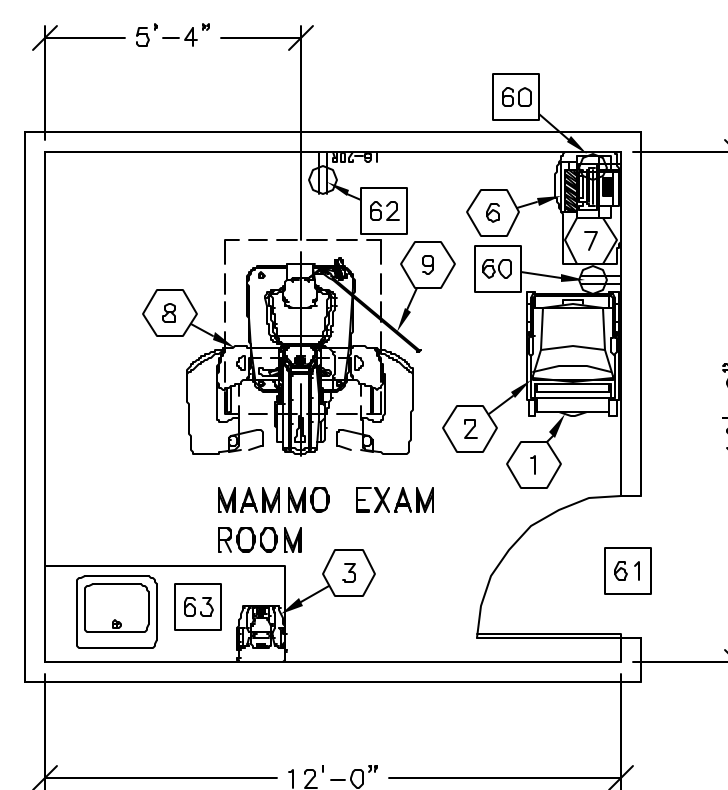
ITEM NO.	QUANTITY ORDERED	REFER TO SHEET "D"	ITEM DESCRIPTION (* = EXISTING/REINSTALL)	WEIGHT	HEAT OUTPUT (PER HOUR)	DETAIL NO.	STRC PLAN	ELEC PLAN
1	1		DELTA 32 MONITOR	77 lbs		S30601F		
2	1		DELTA 32 WORKSTATION ON CART	66 lbs				
3	1		DELTA 32 STEREOTACTIC CAMERA	17 lbs		S30601C		
4	1		DBI IMAGING TABLE	315 lbs				
5	1		MAMMOGRAPHY AND BIOPSY CHAIR	160 lbs		B7123		
6	1		ALPHA 1D FILM MARKING SYSTEM	24 lbs	170 btu	S30601E		
7	1		ALPHA STORE	160 lbs		S30601E		
8	1		DIAMOND MAMMOGRAPHY SYSTEM	771 lbs	546 btu	S30601A		
9	1		MOUNTED RADIATION SHIELD	143 lbs				
10	1		HYDRAULIC CHAIR					

SCALE: 1/4" = 1'-0"

EQUIPMENT LAYOUT

RECOMMENDED CEILING HEIGHT = 8'-0"

This equipment layout indicates the placement and interconnection of the indicated equipment components. There may be federal, state, and/or local requirements that could impact the placement of these components. It remains the Customer's responsibility for ensuring the site and final equipment placement complies with all applicable federal, state, and/or local requirements.



THE FOLLOWING ITEMS, WHICH HAVE BEEN ORDERED FROM GE HEALTHCARE, ARE TO BE INSTALLED BY THE CUSTOMER OR HIS CONTRACTOR.

ANCILLARY ITEMS  
 CUSTOMER/CONTRACTOR SUPPLIED AND INSTALLED ITEMS

ITEM NO.	ITEM DESCRIPTION (* INDICATES EXISTING)
60	DUPLEX HOSPITAL GRADE RECEPTACLE AND COVERPLATE
61	MINIMUM DOOR OPENING FOR EQUIPMENT DELIVERY IS 36 IN. W X 88 IN. H (914mm X 2083mm), CONTINGENT ON A 96 IN. (2438mm) CORRIDOR WIDTH
62	DEDICATED 220-240V, 20A, NEMA L6-20R RECEPTACLE AND PLUG
63	COUNTER TOP WITH SINK AND BASE CABINETS

THE FOLLOWING ITEMS ARE AVAILABLE FROM GE HEALTHCARE TECHNOLOGIES. CONTACT YOUR LOCAL GE HEALTHCARE SERVICE REPRESENTATIVE FOR PRICING AND AVAILABILITY.

GENERAL SPECIFICATIONS

- THE REQUIRED CEILING HEIGHT INDICATED ON THESE PLANS IS TO ENSURE EQUIPMENT FUNCTION IS NOT INHIBITED. CONSULT WITH YOUR LOCAL GEHC INSTALLATION SPECIALIST REGARDING ACCEPTABILITY OF OTHER CEILING HEIGHTS.
- CHECK ALL DOOR OPENINGS AND HALLWAYS FROM DELIVERY LOCATION TO WHERE EQUIPMENT IS TO BE INSTALLED TO ENSURE THE ROUTE PHYSICALLY AND STRUCTURALLY WILL ACCOMMODATE THE EQUIPMENT AS SHIPPED.
- RADIATION PROTECTION REQUIREMENTS ARE NOT INDICATED ON THIS PLAN. WHERE NEEDED PER NATIONAL OR LOCAL CODE THEY SHALL BE SPECIFIED BY A QUALIFIED RADIOLOGICAL PHYSICIST.
- THE DEVELOPMENT OF THE EQUIPMENT LAYOUT, ROOM DIMENSIONS, MECHANICAL AND ELECTRICAL SUGGESTIONS IS PREDICATED UPON THE BEST INFORMATION OBTAINABLE FROM THE SITE, COUPLED WITH THE CUSTOMER'S KNOWN DESIRES. ARCHITECTURAL OR ELECTRICAL CHANGES INCLUDING RELOCATION OF EQUIPMENT ILLUSTRATED ON THIS DRAWING IS ALLOWED ONLY WITH NOTIFICATION, IN WRITING, AND REVIEW BY GEHC SERVICE DEPARTMENT. EQUIPMENT OPERATION, SERVICEABILITY, AND RESTRICTING CABLE LENGTHS, ETC., MAKE THIS ESSENTIAL FOR A PROPER INSTALLATION. GEHC RESERVES THE RIGHT TO MAKE ON THE JOB CHANGES BECAUSE OF CUSTOMER REQUIREMENTS AND/OR OBSTACLES IN CONSTRUCTION, ETC..
- ALL WORK TO BE IN COMPLIANCE WITH NATIONAL AND LOCAL BUILDING SAFETY CODES.
- DIMENSIONS ARE TO FINISHED SURFACES OF ROOM

SITE ENVIRONMENT SPECIFICATIONS

(Empty area for site environment specifications)

MAGNETIC INTERFERENCE SPECIFICATIONS

(Empty area for magnetic interference specifications)

**GE Healthcare Technologies**  
 Installation Services Design Center  
 Milwaukee, Wisconsin

SHEET TITLE: EQUIPMENT LAYOUT  
 MODALITY TYPE: INSTRUMENTARIUM DIAMOND  
 THIS PLAN IS SUBMITTED TO SUGGEST LOCATION OF GE HEALTHCARE EQUIPMENT AND ASSOCIATED APPARATUS, ELECTRICAL WIRING DETAILS AND ROOM ARRANGEMENTS. PARTIAL EQUIPMENT OR ELECTRICAL WIRING DETAILS MAY BE INSTALLED FOR ACTUAL CONSTRUCTION PURPOSES, HOWEVER, AND THE COMPANY CANNOT ACCEPT RESPONSIBILITY FOR ANY DAMAGES RESULTING THEREFROM.

PROJECT TITLE:  
**TYPICAL FINAL  
 INSTALLATION DRAWING**

PROJECT	REVISION
9-30F	00
DATE:	06-16-08
DRAWN BY:	CPC
CHECKED BY:	CPC

REVISION HISTORY:  
 \_\_\_\_\_  
 \_\_\_\_\_  
 \_\_\_\_\_

SHEET  
**A1**

TYPICAL WALL SUPPORT ELEVATIONS

SCALE: 1/4" = 1'-0"

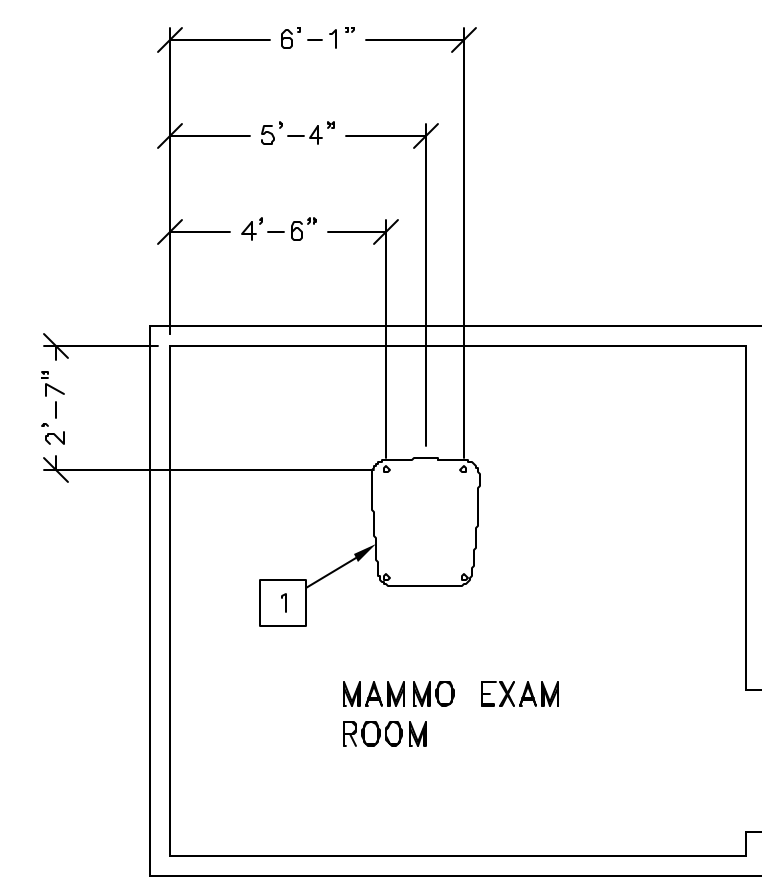
STRUCTURAL LAYOUT

RECOMMENDED CEILING HEIGHT = 8'-0"

STRUCTURAL SUPPORT METHODS

CUSTOMER/CONTRACTOR SUPPLIED AND INSTALLED ITEMS

ITEM NO.	ITEM DESCRIPTION (* INDICATES EXISTING)
1	LEVELING AREA FOR GANTRY. SEE DETAIL S30601B ON SHEET S2. DIAMOND Seismic Zone ANCHORING HARDWARE (GANTRY) ANCHORS = Hilti KB3 - 3/8 x 3.75 in. (4 ea.) ALL ANCHORS TO INCLUDE 1 FLATWASHER, ALL BOLTS TO INCLUDE 2 FLATWASHERS, 1 LOCKWASHER AND 1 NUT.



STRUCTURAL NOTES

- METHODS OF SUPPORT FOR THE STEELWORK THAT WILL PERMIT ATTACHMENT TO STRUCTURAL STEEL OR THROUGH BOLTS IN CONCRETE CONSTRUCTION SHOULD BE FAVORED. DO NOT USE CONCRETE OR MASONRY ANCHORS IN DIRECT TENSION.
- ALL UNITS THAT ARE WALL MOUNTED OR WALL SUPPORTED ARE TO BE PROVIDED WITH SUPPORTS WHERE NECESSARY. WALL SUPPORTS ARE TO BE SUPPLIED AND INSTALLED BY THE CUSTOMER OR HIS CONTRACTORS. SEE PLAN AND DETAIL SHEETS FOR SUGGESTED LOCATIONS AND MOUNTING HOLE LOCATIONS.
- ALL CEILING MOUNTED FIXTURES, AIR VENTS, SPRINKLERS, ETC. TO BE FLUSH MOUNTED, OR SHALL NOT EXTEND MORE THAN 6,35mm (1/4") BELOW THE FINISHED CEILING.
- FLOOR SLABS ON WHICH EQUIPMENT IS TO BE INSTALLED MUST BE LEVEL TO 3,17mm (1/8") IN 3050mm (10'-0")
- DIMENSIONS ARE TO FINISHED SURFACES OF ROOM.
- CUSTOMERS CONTRACTOR MUST PROVIDE ALL PENETRATIONS IN POST TENSION FLOORS.
- CUSTOMERS CONTRACTOR MUST PROVIDE AND INSTALL ANY NON-STANDARD ANCHORING DOCUMENTS FOR STANDARD ANCHORING METHODS ARE INCLUDED WITH GE EQUIPMENT DRAWINGS FOR GEOGRAPHIC AREAS THAT REQUIRE SUCH DOCUMENTATION.
- CUSTOMERS CONTRACTOR MUST PROVIDE AND INSTALL HARDWARE FOR "THROUGH THE FLOOR" ANCHORING AND/OR ANY BRACING UNDER ACCESS FLOORS. THIS CONTRACTOR MUST ALSO PROVIDE FLOOR DRILLING THAT CANNOT BE COMPLETED BECAUSE OF AN OBSTRUCTION ENCOUNTERED WHILE DRILLING BY THE GE INSTALLER SUCH AS REBAR ETC.

SHEET TITLE: STRUCTURAL LAYOUT  
MODALITY TYPE: INSTRUMENTARIUM DIAMOND

THIS PLAN IS SUBMITTED TO SUGGEST LOCATION OF GE HEALTHCARE EQUIPMENT AND ASSOCIATED APPARATUS, ELECTRICAL WIRING DETAILS AND ROOM ARRANGEMENTS. THE CUSTOMER'S CONTRACTOR SHALL BE RESPONSIBLE FOR VERIFYING THE LOCATION OF ALL UTILITIES AND FOR VERIFYING THE LOCATION OF ALL PENETRATIONS IN THE FLOOR SLAB. THE CUSTOMER'S CONTRACTOR SHALL BE RESPONSIBLE FOR VERIFYING THE LOCATION OF ALL PENETRATIONS IN THE FLOOR SLAB. THE CUSTOMER'S CONTRACTOR SHALL BE RESPONSIBLE FOR VERIFYING THE LOCATION OF ALL PENETRATIONS IN THE FLOOR SLAB.

PROJECT TITLE:  
TYPICAL FINAL  
INSTALLATION DRAWING

PROJECT	REVISION
9-30F	00
DATE: 06-16-08	
DRAWN BY: CPC	
CHECKED BY: CPC	

REVISION HISTORY:  
\_\_\_\_\_  
\_\_\_\_\_  
\_\_\_\_\_

SHEET  
S1

THIS SHEET IS PART OF THE DOCUMENT SET LISTED ON SHEET C1 AND SHOULD NOT BE SEPARATED

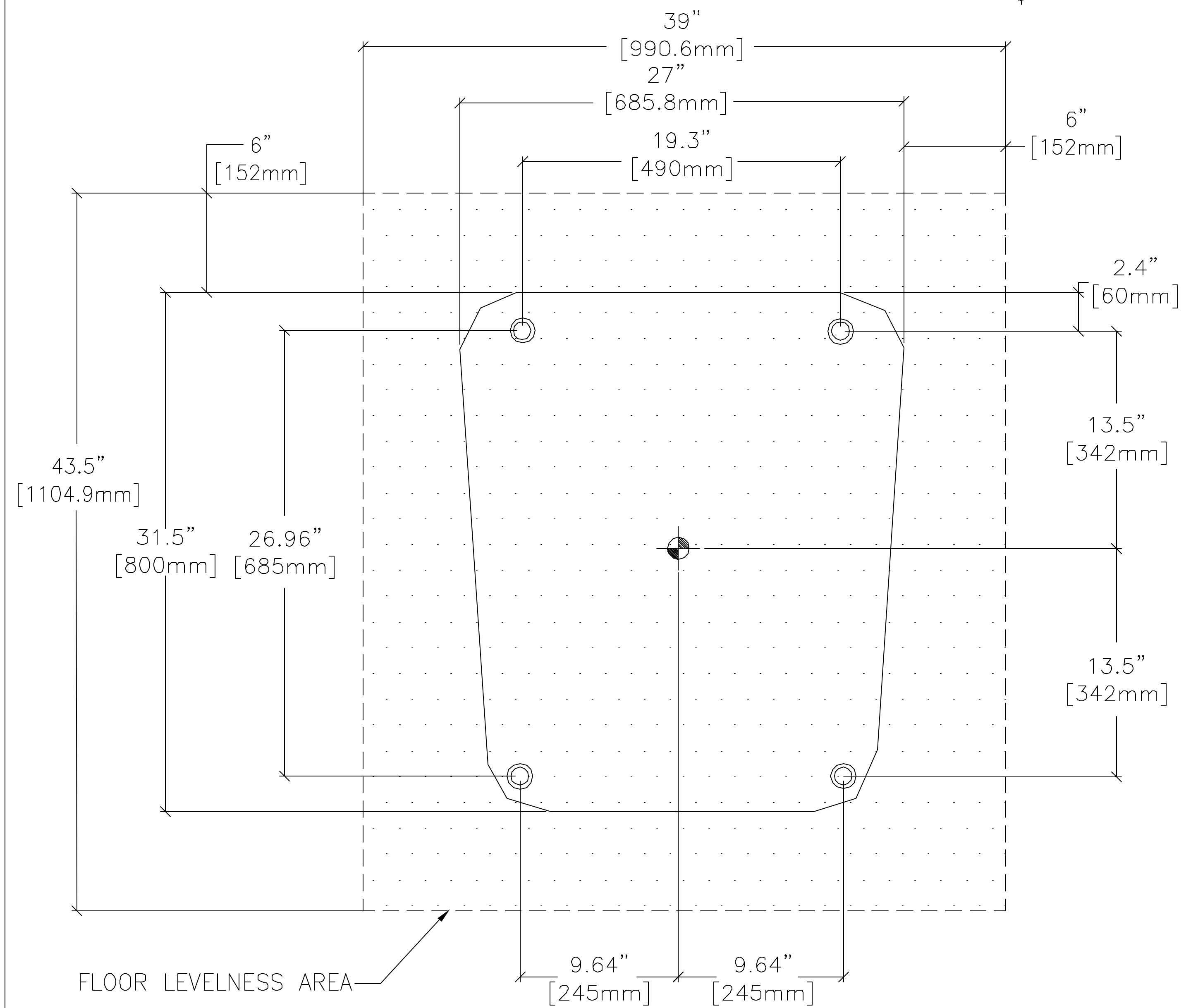
**GE Healthcare Technologies**  
Installation Services Design Center  
Milwaukee, Wisconsin

FLOOR MOUNTING DETAIL: DIAMOND GANTRY

S30601B

REV. DATE: 10/04/04

CENTER OF GRAVITY



DETAIL NOT TO SCALE

SHEET TITLE: STRUCTURAL DETAILS  
 MODALITY TYPE: INSTRUMENTARIUM DIAMOND  
 THIS PLAN IS LIMITED TO SUGGEST LOCATION OF GE HEALTHCARE EQUIPMENT AND ASSOCIATED APPARATUS, ELECTRICAL WIRING DETAILS AND ROOM ARRANGEMENTS. FACTORY EQUIPMENT IS NOT TO BE INSTALLED IN THIS DRAWING. THE COMPANY CANNOT ACCEPT RESPONSIBILITY FOR ANY DAMAGES RESULTING THEREFROM.

PROJECT TITLE:  
**TYPICAL FINAL  
 INSTALLATION DRAWING**

PROJECT	REVISION
9-30F	00
DATE:	06-16-08
DRAWN BY:	CPC
CHECKED BY:	CPC

REVISION HISTORY:


SHEET  
**S2**



INTERCONNECT DIAGRAM

POWER SPECIFICATIONS

DIAMOND AND PERFORMA SYSTEMS

(REV. DATE 05/15/04)

VOLTAGE

PRIMARY SOURCE IS REQUIRED FOR ALL INSTALLATIONS.  
 RANGE OF LINE VOLTAGES: NOMINAL LINE VOLTAGE OF 220 TO 240, 1 PHASE, 50 OR 60 HZ.

MAXIMUM DAILY VOLTAGE VARIATION MUST FALL WITHIN ONE OF THE RANGES IN TABLE A.

TABLE A  
 ALLOWABLE  
 INPUT  
 VOLTAGES/  
 CURRENT  
 DEMAND

NOMINAL VOLTAGE	ABSOLUTE RANGE	CURRENT (AMPS)	MINIMUM STANDARD OVERCURRENT PROTECTION
		MAX MOMENTARY	
220	207-253	16	20-A

PHASE-BALANCE.

PHASE-TO-PHASE VOLTAGES MUST BE WITHIN 2 PERCENT OF THE LOWEST PHASE-TO-PHASE VOLTAGE. MAXIMUM ALLOWABLE TRANSIENT VOLTAGE EXCURSIONS ABOVE OR BELOW NOMINAL WAVESHAVE FORM NOT TO EXCEED 200V AT A MAXIMUM DURATION OF 1 CYCLE AND FREQUENCY OF 10 TIMES PER HOUR. VOLTAGE TRANSIENT OR IMPULSE ON THE INCOMING POWER MUST BE HELD TO A MINIMUM. TRANSIENTS CAUSED BY LIGHTNING SURGES, LOAD SWITCHING, STATIC ELECTRICITY ETC CAN CAUSE SCAN ABORTS OR, IN EXTREME INSTANCES, COMPONENT FAILURE IN THE COMPUTER SUBSYSTEM.

POWER DEMAND

MAXIMUM POWER DEMAND AVERAGED OVER 5 SECONDS = 3.5 KVA.

REFER TO PLANNING DIRECTION FOR ADDITIONAL INFORMATION.

ELECTRICAL NOTES

- NOTE 1: ALL WIRES SPECIFIED SHALL BE STRANDED, FLEXIBLE, THERMO-PLASTIC, COLOR CODED, COPPER ONLY, CUT 10 FOOT LONG AT OUTLET BOXES, DUCT TERMINATION POINTS OR STUBBED CONDUIT ENDS, UNLESS OTHERWISE SPECIFIED. ALL CONDUCTORS, POWER, SIGNAL AND GROUND, MUST BE RUN IN CONDUIT OR DUCT SYSTEM. ELECTRICAL CONTRACTOR SHALL RING OUT AND TAG ALL WIRES AT BOTH ENDS. WIRE RUNS MUST BE CONTINUOUS COPPER AND FREE FROM SPLICES.
- NOTE 2: WIRE SIZES GIVEN ARE FOR USE OF EQUIPMENT. LARGER SIZES MAY BE REQUIRED BY LOCAL CODES.
- NOTE 3: IT IS RECOMMENDED THAT ALL WIRES BE COLOR CODED, AS REQUIRED IN ACCORDANCE WITH NATIONAL AND LOCAL ELECTRICAL CODES.
- NOTE 4: CONDUIT SIZES SHALL BE VERIFIED BY THE ARCHITECT, ELECTRICAL ENGINEER OR CONTRACTOR, IN ACCORDANCE WITH LOCAL OR NATIONAL CODES.
- NOTE 5: CONVENIENCE OUTLETS ARE NOT ILLUSTRATED. THEIR NUMBER AND LOCATION ARE TO BE SPECIFIED BY OTHERS. LOCATE AT LEAST ONE CONVENIENCE OUTLET CLOSE TO THE SYSTEM CONTROL, THE POWER DISTRIBUTION UNIT AND ONE ON EACH WALL OF THE PROCEDURE ROOM. USE HOSPITAL APPROVED OUTLET OR EQUIVALENT.
- NOTE 6: GENERAL ROOM ILLUMINATION IS NOT ILLUSTRATED. CAUTION SHOULD BE TAKEN TO AVOID EXCESSIVE HEAT FROM OVERHEAD SPOTLIGHTS. DAMAGE CAN OCCUR TO CEILING MOUNTING COMPONENTS AND WIRING IF HIGH WATTAGE BULBS ARE USED. RECOMMEND LOW WATTAGE BULBS NO HIGHER THAN 75 WATTS AND USE DIMMER CONTROLS (EXCEPT MR). DO NOT MOUNT LIGHTS DIRECTLY ABOVE AREAS WHERE CEILING MOUNTED ACCESSORIES WILL BE PARKED.
- NOTE 7: ROUTING OF CABLE DUCTWORK, CONDUITS ETC., OTHER THAN SHOWN ON THIS DRAWING MAY RESULT IN THE NEED FOR GREATER THAN STANDARD CABLE LENGTHS (REFER TO THE INTERCONNECTION DIAGRAM FOR MAXIMUM USABLE LENGTHS POINT TO POINT).
- NOTE 8: CONDUIT TURNS TO HAVE LARGE, SWEEPING BENDS WITH MINIMUM RADIUS IN ACCORDANCE WITH NATIONAL AND LOCAL ELECTRICAL CODES.
- NOTE 9: A SPECIAL GROUNDING SYSTEM IS REQUIRED IN ALL PROCEDURE ROOMS BY SOME NATIONAL AND LOCAL CODES. IT IS RECOMMENDED IN AREAS WHERE PATIENTS MIGHT BE EXAMINED OR TREATED UNDER PRESENT, FUTURE, OR EMERGENCY CONDITIONS. CONSULT THE GOVERNING ELECTRICAL CODE AND CONFER WITH APPROPRIATE CUSTOMER ADMINISTRATIVE PERSONNEL TO DETERMINE THE AREAS REQUIRING THIS TYPE OF GROUNDING SYSTEM.
- NOTE 10: THE MAXIMUM POINT TO POINT DISTANCES ILLUSTRATED ON THIS DRAWING MUST NOT BE EXCEEDED.
- NOTE 11: PHYSICAL CONNECTION OF PRIMARY POWER TO GE EQUIPMENT IS TO BE MADE BY CUSTOMERS ELECTRICAL CONTRACTOR WITH THE SUPERVISION OF A GE REPRESENTATIVE. THE GE REPRESENTATIVE WOULD BE REQUIRED TO IDENTIFY THE PHYSICAL CONNECTION LOCATION, AND INSURE PROPER HANDLING OF GE EQUIPMENT.

**GE Healthcare Technologies**  
 Installation Services Design Center  
 Milwaukee, Wisconsin



SHEET TITLE: ELECTRICAL SPECIFICATIONS  
 MODALITY TYPE: INSTRUMENTARIUM DIAMOND

THIS PLAN IS SUBMITTED TO SURGEST LOCATION OF GE HEALTHCARE EQUIPMENT AND ASSOCIATED APPARATUS, ELECTRICAL WIRING DETAILS AND ROOM ARRANGEMENTS. THE CONTRACTOR SHALL VERIFY THE LOCATION OF ALL EQUIPMENT AND ROOMS. THE CONTRACTOR SHALL BE RESPONSIBLE FOR OBTAINING ALL NECESSARY PERMITS AND APPROVALS. THE CONTRACTOR SHALL BE RESPONSIBLE FOR OBTAINING ALL NECESSARY PERMITS AND APPROVALS. THE CONTRACTOR SHALL BE RESPONSIBLE FOR OBTAINING ALL NECESSARY PERMITS AND APPROVALS.

PROJECT TITLE:  
**TYPICAL FINAL  
 INSTALLATION DRAWING**

PROJECT	REVISION
9-30F	00
DATE: 06-16-08	
DRAWN BY: CPC	
CHECKED BY: CPC	

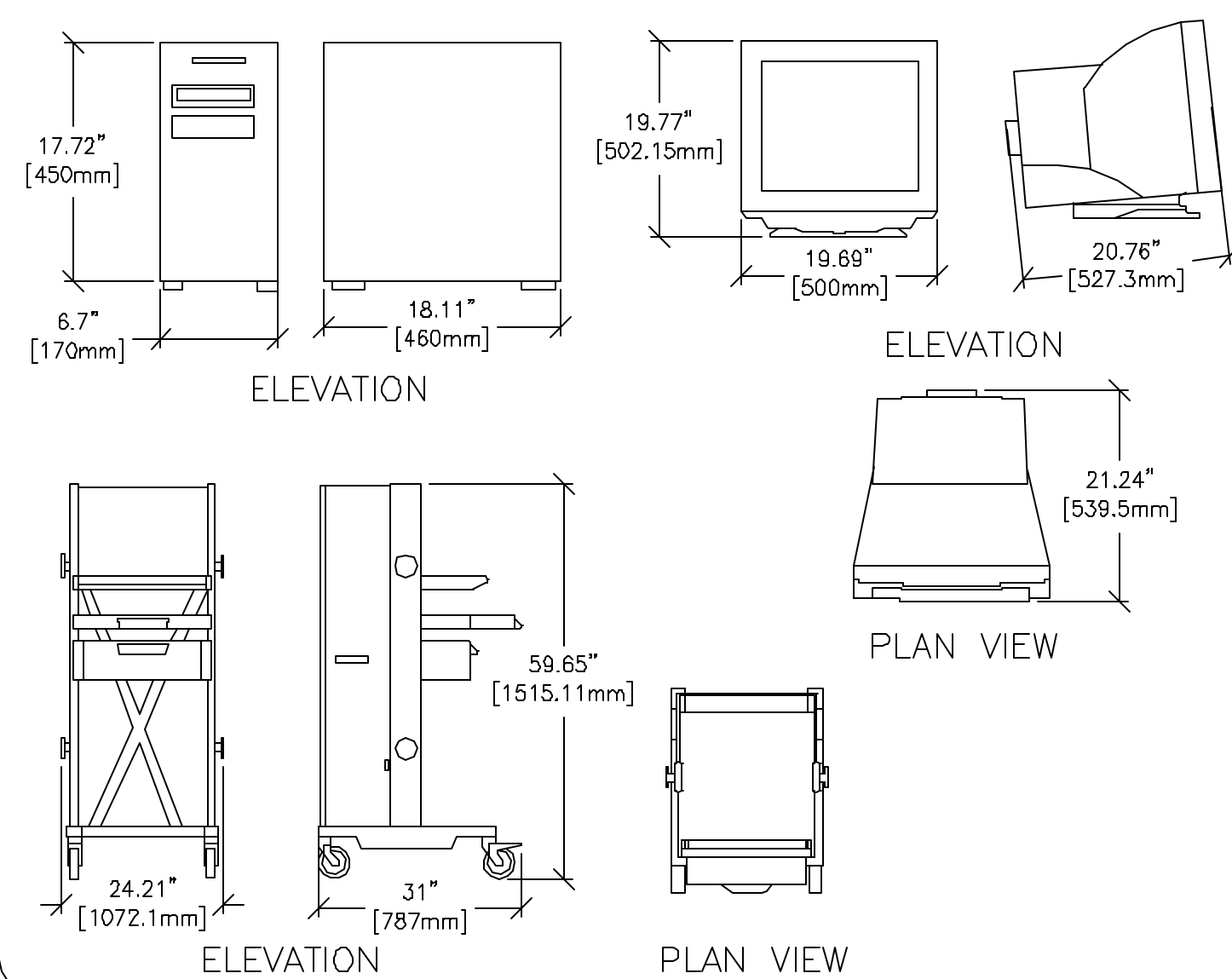
REVISION HISTORY:  
 \_\_\_\_\_  
 \_\_\_\_\_  
 \_\_\_\_\_

SHEET  
**E2**

EQUIPMENT DETAIL  
DELTA 32 WORKSTATION AND CART

S30601F

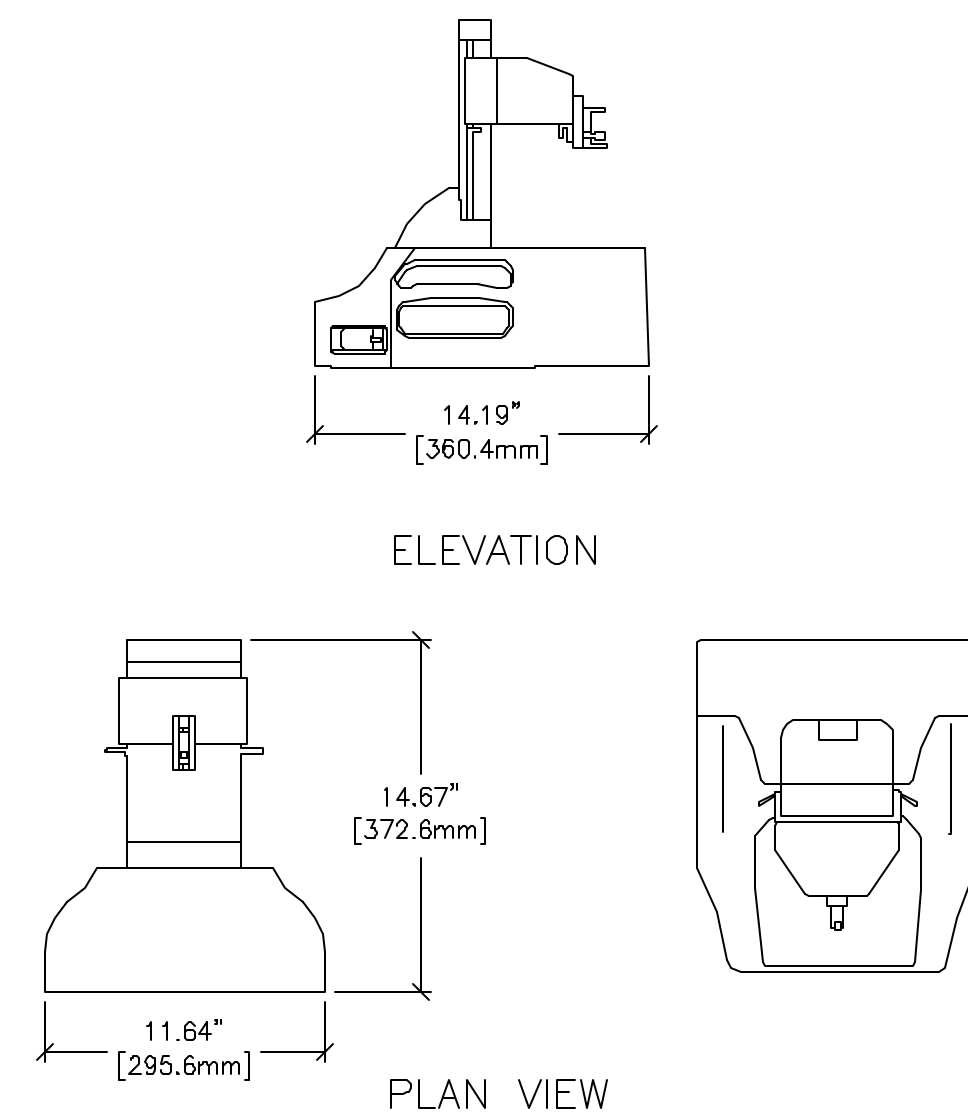
REV. DATE: 09/28/04



EQUIPMENT DETAIL  
STEREOTACTIC CAMERA

S30601FA

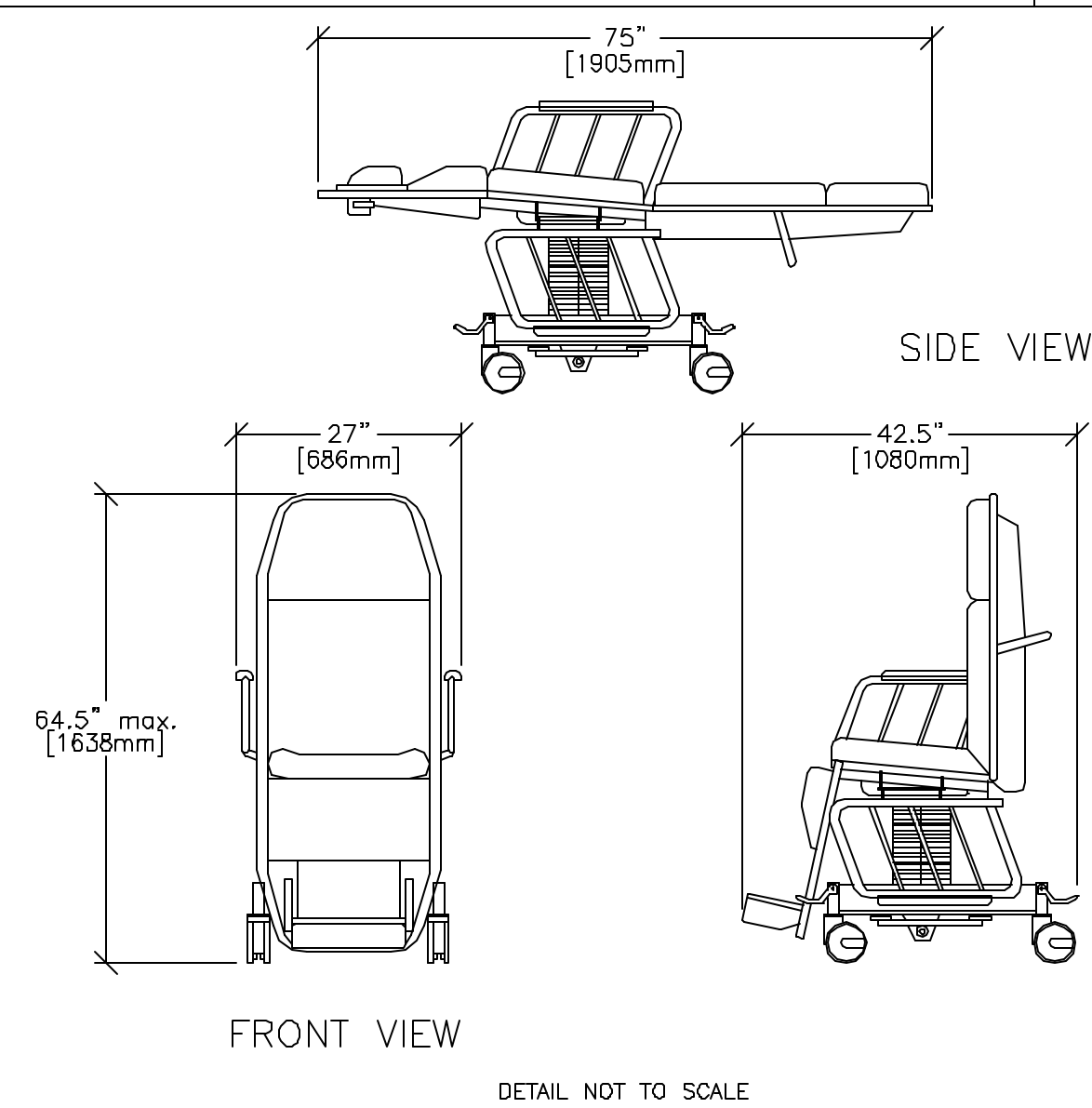
REV. DATE: 09/28/04



EQUIPMENT DETAIL  
MAMMOGRAPHY/BIOPSY CHAIR

B7123

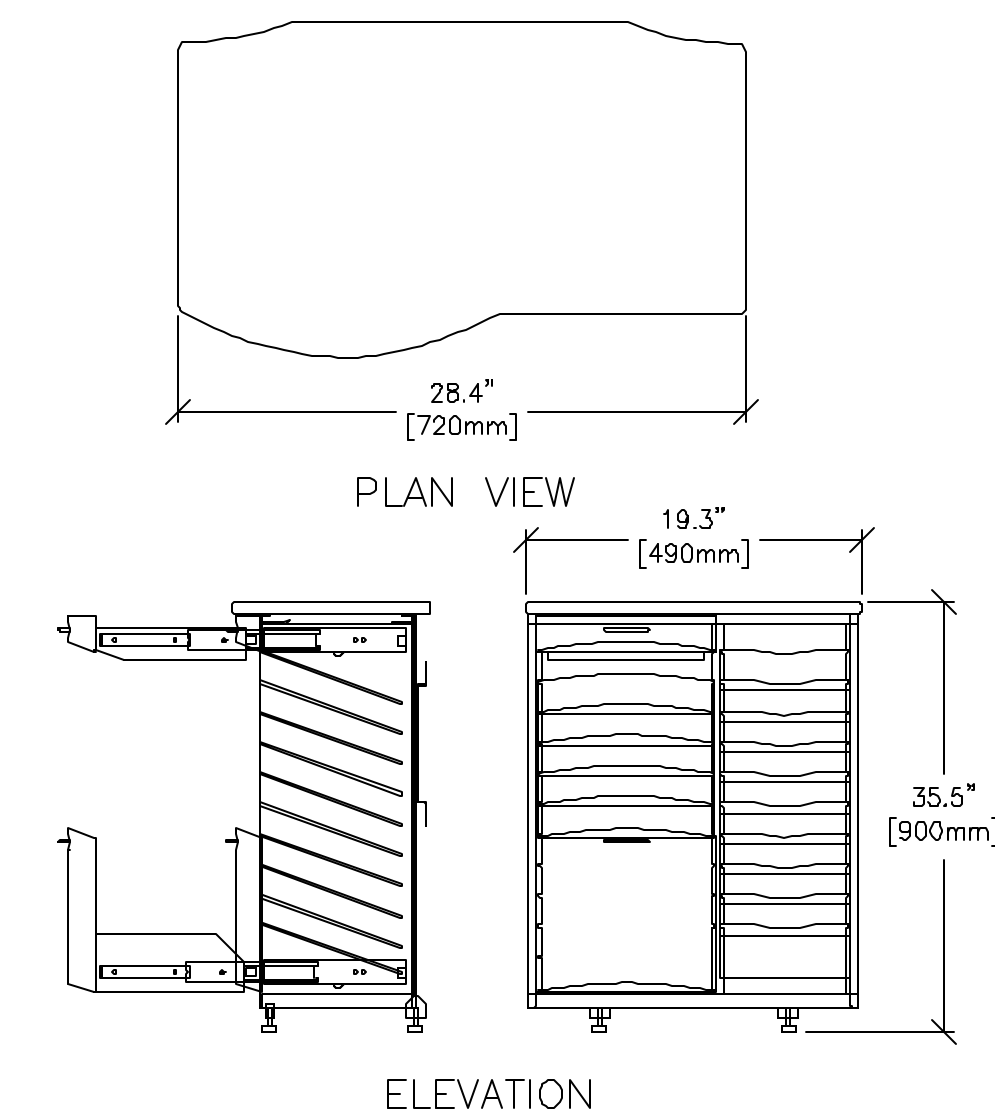
REV. DATE: 10/25/02



EQUIPMENT DETAIL  
ALPHA STORE

S30601D

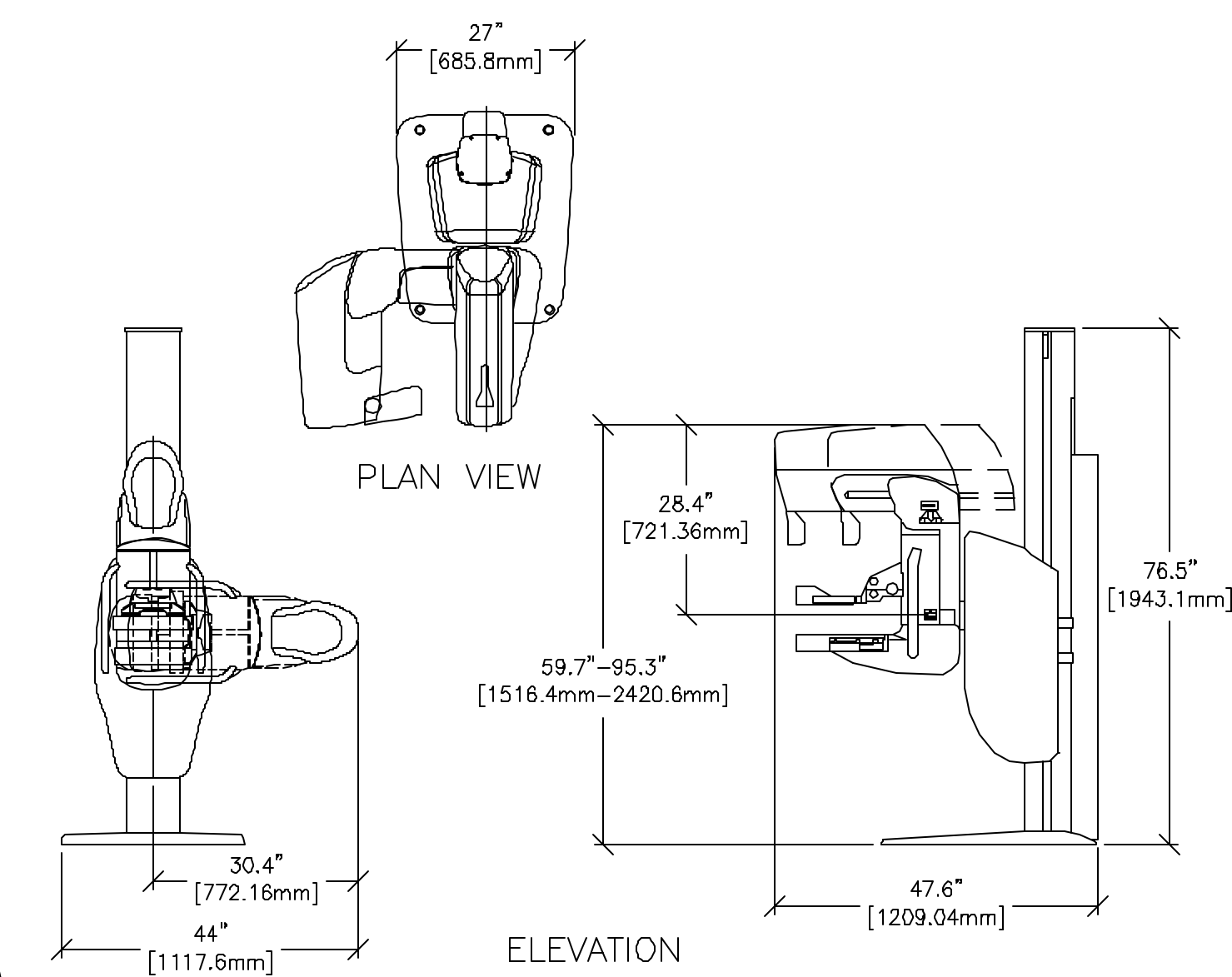
REV. DATE: 09/28/04



EQUIPMENT DETAIL  
DIAMOND GANTRY

S30601A

REV. DATE: 09/30/04



**GE Healthcare Technologies**  
Installation Services Design Center  
Milwaukee, Wisconsin

SHEET TITLE: EQUIPMENT DETAILS  
MODALITY TYPE: INSTRUMENTARIUM DIAMOND  
THIS PLAN IS SUBMITTED TO SUGGEST LOCATION OF GE HEALTHCARE EQUIPMENT AND ASSOCIATED APPARATUS, ELECTRICAL WIRING DETAILS AND ROOM ARRANGEMENTS. PARTIAL RESPONSIBILITY FOR THE LOCATION OF THE EQUIPMENT IS ASSIGNED TO THE ARCHITECT. GE HEALTHCARE TECHNOLOGIES, INC. DOES NOT ACCEPT RESPONSIBILITY FOR ANY DAMAGES RESULTING THEREFROM.

PROJECT TITLE:  
TYPICAL FINAL  
INSTALLATION DRAWING

PROJECT	REVISION
9-30F	00
DATE: 06-16-08	
DRAWN BY: CPC	
CHECKED BY: CPC	

REVISION HISTORY:  
\_\_\_\_\_  
\_\_\_\_\_  
\_\_\_\_\_

SHEET  
D1