



**GE Healthcare
Project Management**

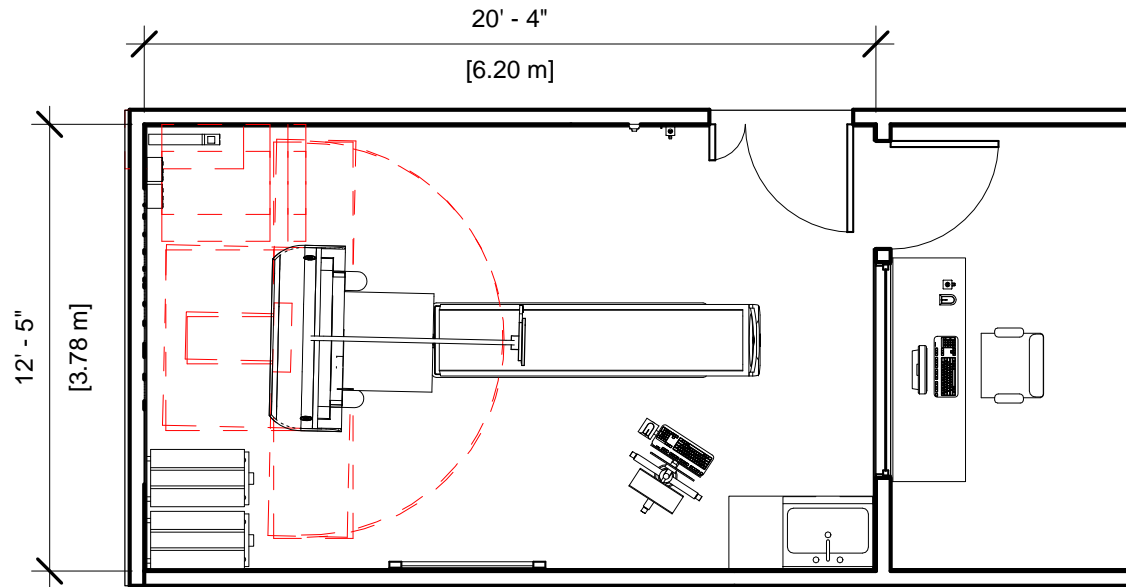
GE Healthcare has made reasonable efforts to ensure this BIM file conforms to requirements of the applicable pre-installation manual. This BIM file was produced to assist with site planning and is not intended for construction or final building modeling. GE Healthcare is not responsible for any damages resulting from use of such file for construction or final building modeling purposes. Compliance with all applicable local, state, and federal laws and regulations is the responsibility of the customer or its designated architects and engineers. Please keep in mind the information in this BIM file is dynamic and is subject to change without notice. It is the responsibility of the customer or its designated architect(s) and engineer(s) to ensure they have the latest equipment or product information.

Brivo NM 615- RENDERING

Project number	7-82
Date	19.JULY.17
Drawn by	GENPACT
Checked by	

A-1

Scale 12" = 1'-0"



Specialty Equipment Schedule

Description	Weight (lbs)	BTU
CONTROL ROOM		
XELERIS WORKSTATION	55	255
EMO PUSHBUTTON	0	0
EXAM ROOM		
PATIENT TABLE	1245	682
DISCOVERY NM 630 GANTRY	4828	4501
COLLIMATOR CART	1058	0
6 KVA UPS	125	1959
OPERATORS CONSOLE		
COLLIMATOR CART	1058	0
30-AMP, 208V DISCONNECT	0	0
30-AMP, 208V DISCONNECT	0	0
EMO PUSHBUTTON	0	0



**GE Healthcare
Project Management**

GE Healthcare has made reasonable efforts to ensure this BIM file conforms to requirements of the applicable pre-installation manual. This BIM file was produced to assist with site planning and is not intended for construction or final building modeling. GE Healthcare is not responsible for any damages resulting from use of such file for construction or final building modeling purposes. Compliance with all applicable local, state, and federal laws and regulations is the responsibility of the customer or its designated architects and engineers. Please keep in mind the information in this BIM file is dynamic and is subject to change without notice. It is the responsibility of the customer or its designated architect(s) and engineer(s) to ensure they have the latest equipment or product information.

Brivo NM 615 - PLAN & SCHEDULE

Project number	7-82
Date	19.JULY.17
Drawn by	GENPACT
Checked by	

A-2

Scale 3/16" = 1'-0"

Hold the Left Click for Rotating around
Use the Scroll for Zooming in and out



7-82 - Brivo NM 615



GE Healthcare

[Click for Site Planning Support](#)